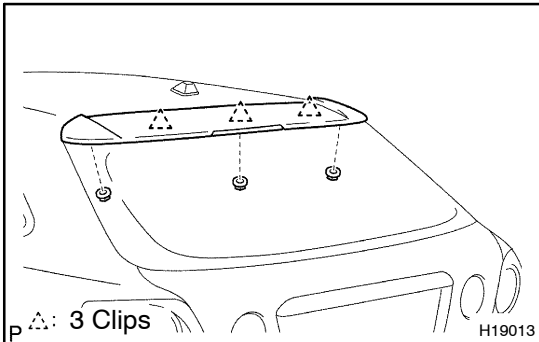


REASSEMBLY

1. INSTALL STOP CENTER LAMP ASSEMBLY

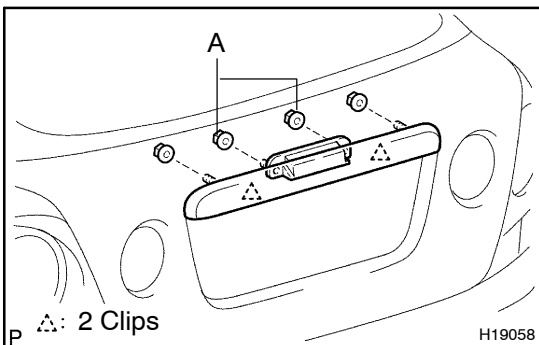


2. INSTALL REAR SPOILER COVER

Install the rear spoiler cover with the 3 nuts.

3. INSTALL BACK DOOR OUTSIDE HANDLE

- (a) Connect the connector.
- (b) Install the back door rock outside handle with the 2 bolts.



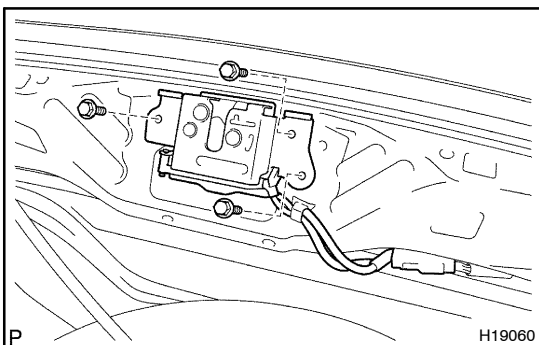
4. INSTALL BACK DOOR OUTSIDE GARNISH

Install the back door outside garnish with the 4 nuts.

Torque:

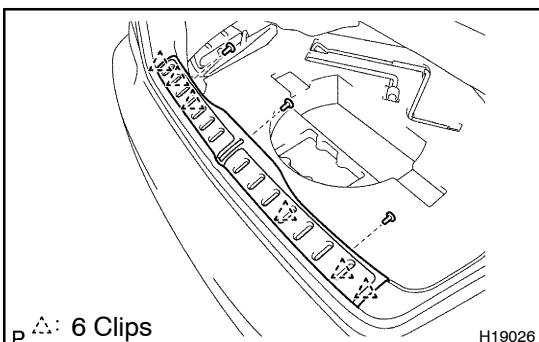
A: 4.0 N·m (40 kgf·cm, 35 in·lbf)

5. INSTALL LICENSE PLATE LAMPS



6. INSTALL BACK DOOR LOCK ASSEMBLY

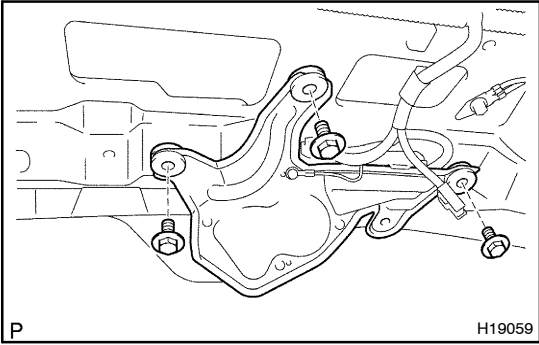
- (a) Install the back door lock assembly with the 3 bolts .
- Torque: 12.5 N·m (128 kgf·cm, 9 ft·lbf)**
- (b) Connect the connector.



7. INSTALL REAR FLOOR FINISH PLATE

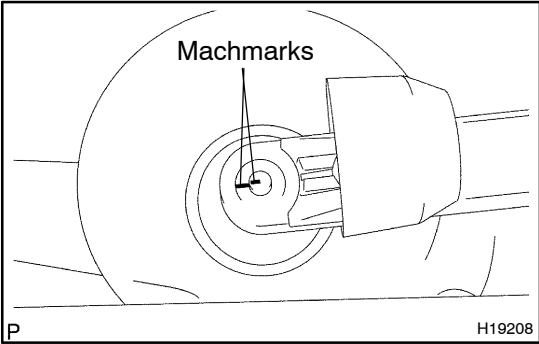
- (a) Install the rear floor finish plate with the 3 clips.
- (b) Install the 2 rope hook assemblies with the 2 bolts.

8. INSTALL REAR COMBINATION LIGHTS



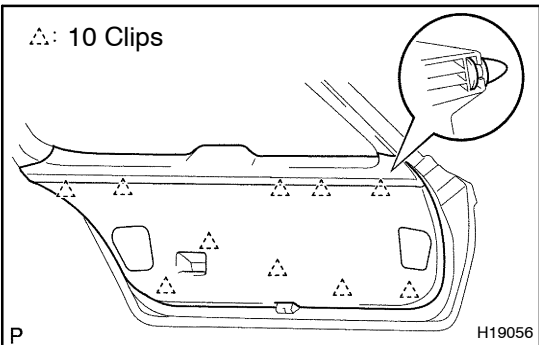
9. INSTALL REAR WIPER MOTOR

- (a) Install the rear wiper motor with the 3 bolts.
Torque: 5.5 N·m (56 kgf·cm, 49 in·lbf)
- (b) Connect the connector.
- (c) Install the nut and washer on the outer side of the back door panel.
Torque: 12 N·m (122 kgf·cm, 9 ft·lbf)



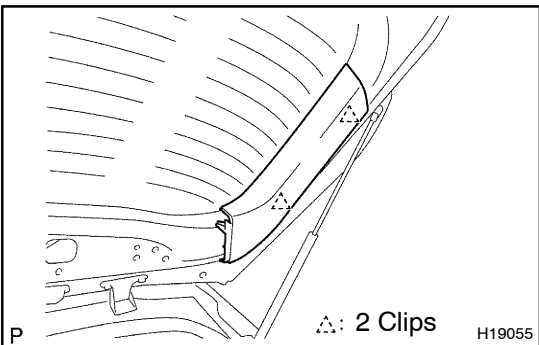
10. INSTALL REAR WIPER ARM

- (a) Install the wiper arm and tighten the nut by hand. Operate the wiper once and turn the wiper switch OFF.
- (b) Align the machmarks on the wiper arm and wiper motor.
- (c) Install the rear wiper arm with the nut.
Torque: 5.5 N·m (56 kgf·cm, 49 in·lbf)
- (d) Install the wiper arm cover.



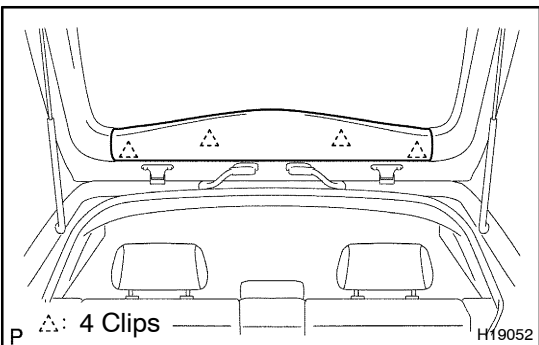
11. INSTALL BACK DOOR TRIM BOARD

- (a) Install the back door trim board to the back door panel.
- (b) Install the back door handle with the clip.



12. INSTALL BACK DOOR TRIM COVERS

Install the trim cover to the body.



13. INSTALL BACK DOOR TRIM BOARD UPPER

Install the back door trim board upper to the body.