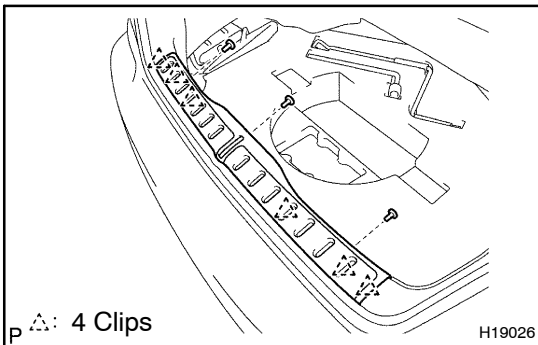


## REMOVAL

1. REMOVE REAR SEAT CUSHION (See page BO-112)
2. REMOVE SIDE SEAT BACK ASSEMBLY (See page BO-112)
3. REMOVE REAR SEAT FLOOR BOARD NO. 4
  - (a) Remove the seat back board carpets.
  - (b) Remove the 2 bolts and rear floor board.
4. REMOVE DECK FLOOR BOX FRONT
  - (a) Remove the 2 bolts and the 2 rope hook assemblies.
  - (b) Remove the deck floor box.
5. REMOVE DECK BOARD NO. 2
6. REMOVE REAR FLOOR BOARD NO. 2
7. REMOVE REAR FLOOR BOARD NO. 3
8. REMOVE TONNEAU COVER ASSEMBLY

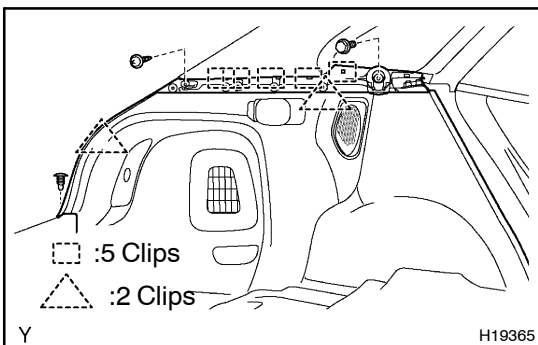


### 9. REMOVE REAR FLOOR FINISH PLATE

- (a) Remove the 2 bolts and the 2 rope hook assemblies.
- (b) Remove the 3 clips.
- (c) Using a screwdriver, remove the rear floor finish plate.

HINT:

Tape the screwdriver tip before use.

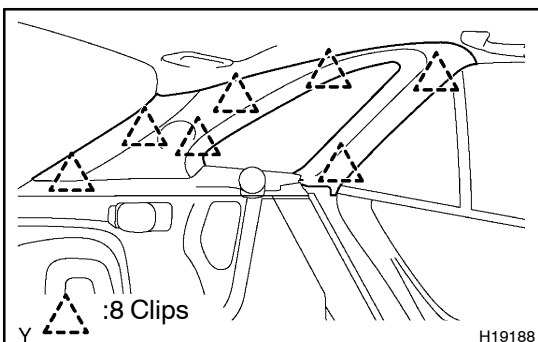


### 10. REMOVE DECK TRIM SIDE PANEL ASSEMBLY

- (a) Remove the 2 bolts and 2 floor hooks.
- (b) Remove the screw, bolt and clip.
- (c) Using a screwdriver, remove the deck trim side panel assembly then disconnect the connector.

HINT:

Tape the screwdriver tip before use.

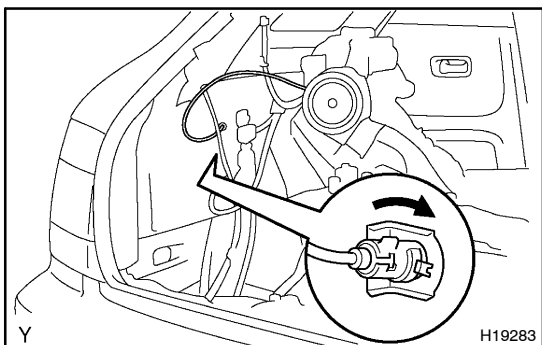


### 11. REMOVE ROOF SIDE INNER GARNISH

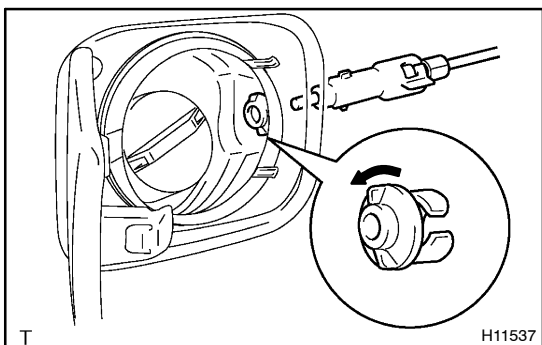
Using a screwdriver, remove the roof side inner garnish.

HINT:

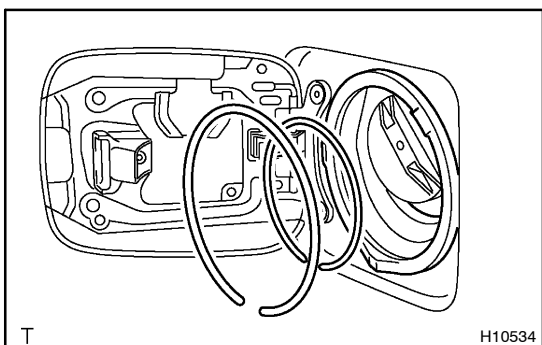
Tape the screwdriver tip before use.

**12. REMOVE FUEL LID LOCK CONTROL**

- (a) Rotate the fuel lid lock right to disengage the lock, then pull it out.



- (b) Rotate the retainer left to disengage the lock, then pull it out.

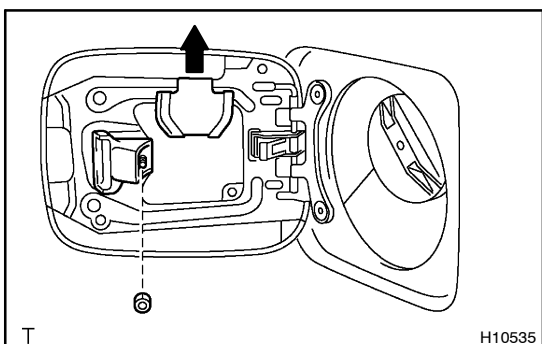
**13. REMOVE FUEL FILLER SHIELD**

- (a) Remove the 2 rings from the fuel filler shield.  
 (b) Remove the fuel tank cap and shield.

**CAUTION:**

**Always keep the tank cap closed when it is not required to be open. Keep all fire away during the operation.**

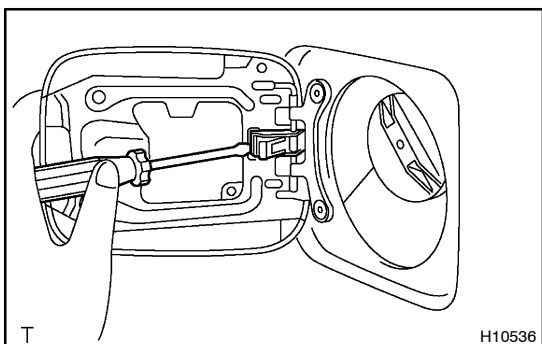
- (c) Install the fuel tank cap quickly.

**14. REMOVE FUEL TANK CAP HANGER**

Pull up the fuel tank cap hanger to remove it.

**15. REMOVE FUEL FILLER OPENING LID LOCK RETAINER**

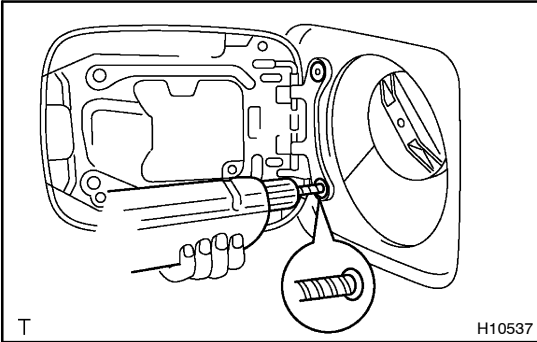
Remove the nut and fuel filler opening lid lock retainer.

**16. REMOVE FUEL LID OPENING SPRING**

Insert a screwdriver between the spring and fuel filler opening lid to remove the spring as shown in the illustration.

**HINT:**

Tape the screwdriver tip before use.



**17. REMOVE FUEL FILLER OPENING LID**

- (a) Using a drill, drill out the rivet heads.
- (b) Remove the fuel filler opening lid.