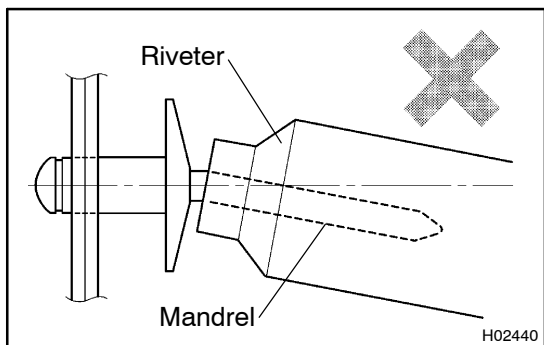


## INSTALLATION

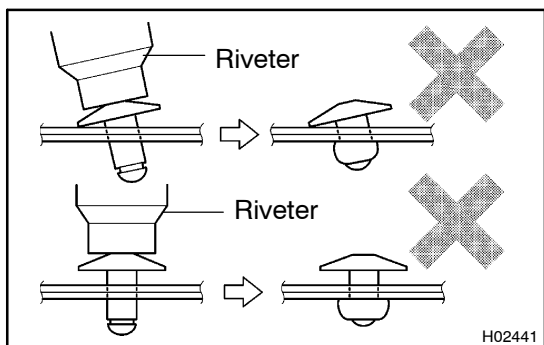
### 1. INSTALL FUEL FILLER OPENING LID

Using a riveter, install the fuel filler opening lid with the 2 rivets to the body.

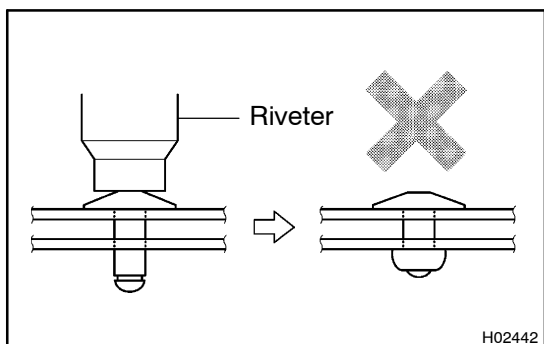


### NOTICE:

- Do not prize a riveter, as riveter is damaged, if it not tightened and the mandrel is bent.

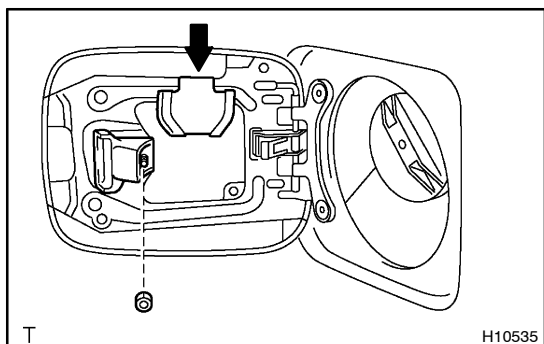


- Do not tilt the riveter and disconnect the rivet from the material while handling a riveter, as the materials are not tightened firmly.



- Install the rivet while attaching materials, as they are not tightened firmly.

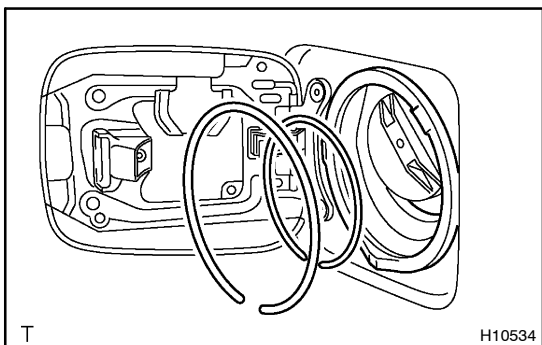
### 2. INSTALL FUEL FILLER OPENING SPRING



### 3. INSTALL FUEL FILLER OPENING LID LOCK RETAINER

Install the fuel filler opening lid lock retainer with the nut.

### 4. INSTALL FUEL TANK CAP HANGER

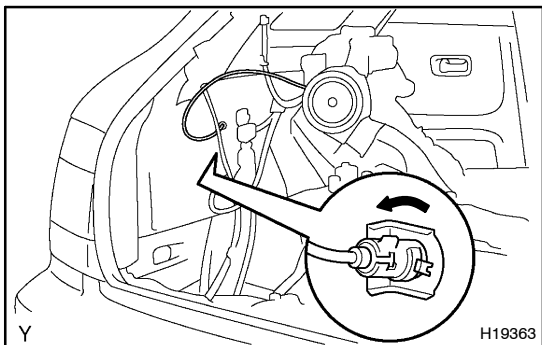
**5. INSTALL FUEL FILLER SHIELD**

- (a) Remove the fuel tank cap.
- (b) Install the fuel filler shield to the body.
- (c) Install the fuel tank cap quickly.

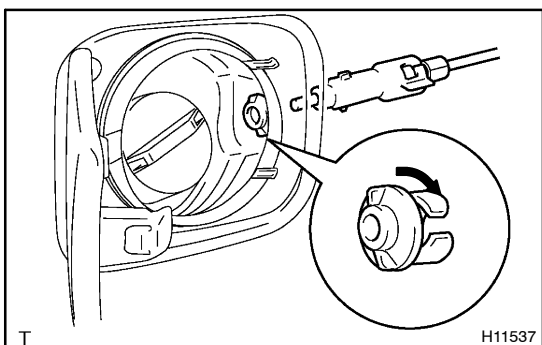
**CAUTION:**

**Always keep the tank cap closed when it is not required to be open. Keep all fire away during the operation.**

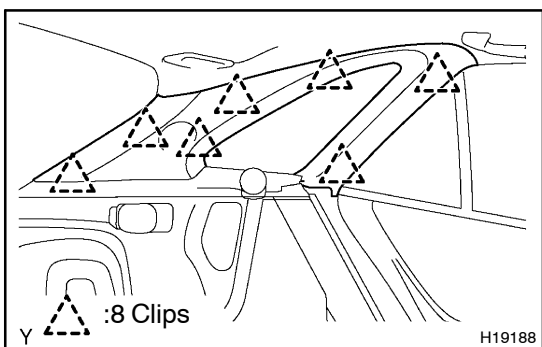
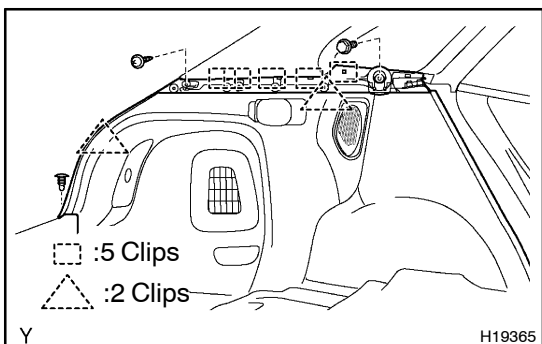
- (d) Install the 2 rings to the fuel filler shield as shown in the illustration.

**6. INSTALL FUEL LID LOCK CONTROL**

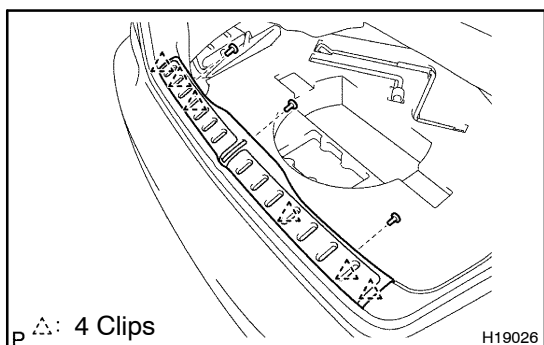
- (a) Install the retainer to the body from the outside of the vehicle and rotate it right to lock.



- (b) Insert the fuel lid lock control to the retainer and rotate it left to lock.

**7. INSTALL ROOF SIDE INNER GARNISH****8. INSTALL DECK TRIM SIDE PANEL ASSEMBLY**

- (a) Install the deck trim side panel assembly then connect the connector.
- (b) Install the screw, bolt and clip.
- (c) Install the 2 floor hooks with the 2 bolts.



- 9. INSTALL REAR FLOOR FINISH PLATE**
  - (a) Install the rear floor finish plate.
  - (b) Install the 3 clips.
  - (c) Install the 2 rope hook assemblies with the 2 bolts.
- 10. INSTALL TONNEAU COVER ASSEMBLY**
- 11. INSTALL REAR FLOOR BOARD NO. 3**
- 12. INSTALL REAR FLOOR BOARD NO. 2**
- 13. INSTALL DECK BOARD NO. 2**
- 14. INSTALL DECK FLOOR BOX FRONT**
  - (a) Install the deck floor box.
  - (b) Install the 2 rope hook assemblies with the 2 bolts.
- 15. INSTALL REAR SEAT FLOOR BOARD NO. 4**
  - (a) Install the rear floor board with the 2 bolts.
  - (b) Install the seat back board carpets.
- 16. INSTALL SIDE SEAT BACK ASSEMBLY (See page BO-112)**
- 17. INSTALL REAR SEAT CUSHION (See page BO-112)**