

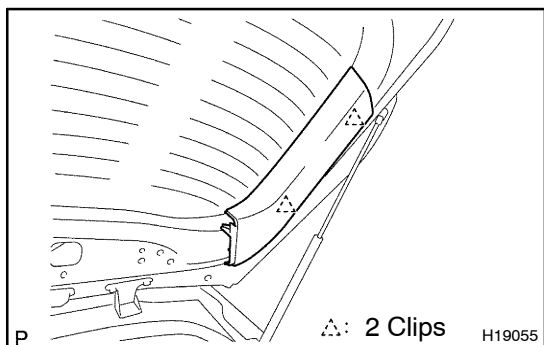
REMOVAL

1. REMOVE BACK DOOR TRIM BOARD UPPER

Using a screwdriver, remove the back door trim board upper.

HINT:

Tape the screwdriver tip before use.



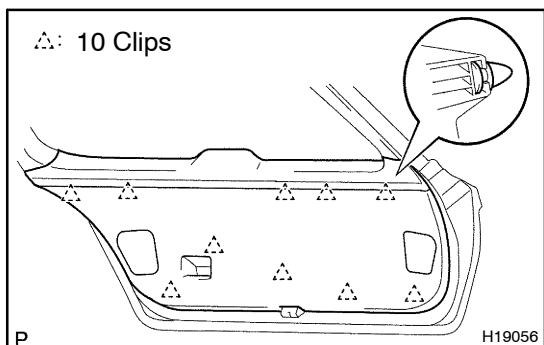
2. REMOVE BACK DOOR TRIM COVERS

(a) Insert a screwdriver between the back door panel and back door trim cover to pry the cover.

HINT:

Tape the screwdriver tip before use.

(b) Employ the same manner described above to the other side.



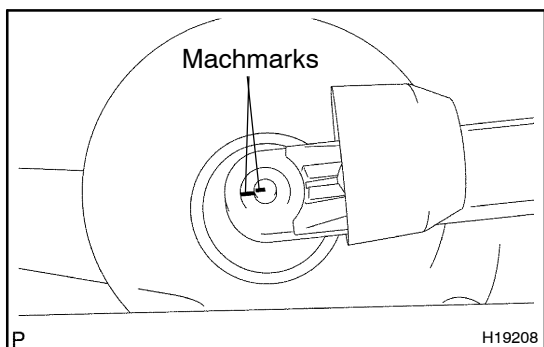
3. REMOVE BACK DOOR TRIM BOARD

(a) Remove the clip and back door handle.

(b) Using a screwdriver, remove the back door trim board.

HINT:

Tape the screwdriver tip before use.

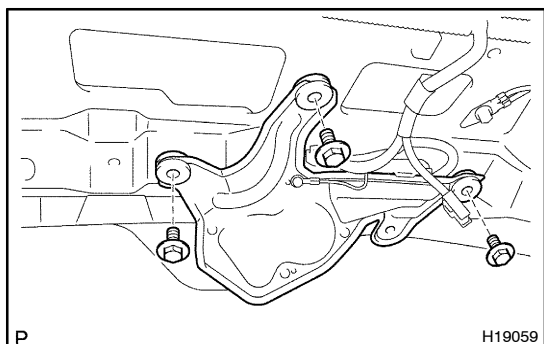


4. REMOVE REAR WIPER ARM

(a) Remove the wiper arm cover.

(b) Place machmarks on the wiper arm and wiper motor.

(c) Remove the nut and rear wiper arm.



5. REMOVE REAR WIPER MOTOR

(a) Remove the nut and washer on the outer side of the back door panel.

(b) Disconnect the connector.

(c) Remove the 3 bolts and rear wiper motor.