

BO4420

INSTALLATION

1. CLEAN AND SHAPE CONTACT SURFACE OF BODY

- (a) Using a knife, cut away any rough areas on the body.

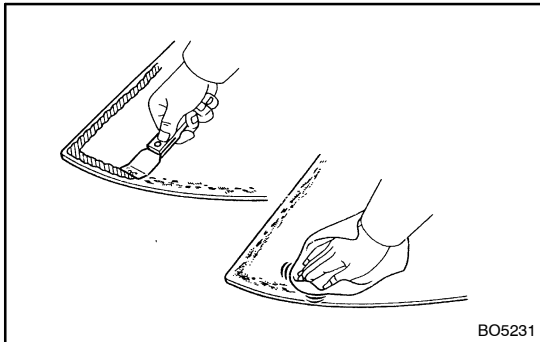
HINT:

Leave as much of the adhesive on the body as possible.

- (b) Clean the cutting surface of the adhesive with a piece of shop rag saturated in cleaner.

HINT:

Even if all the adhesive has been removed, clean the body.



BO5231

2. CLEAN REMOVED GLASS

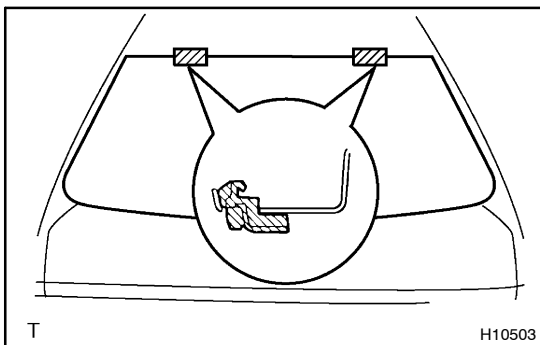
- (a) Remove the damaged No. 2 stoppers and dams.

- (b) Using a scraper, remove the adhesive sticking to the glass.

- (c) Clean the glass with cleaner.

NOTICE:

- **Be careful not to damage the glass.**
- **Do not touch the glass face after cleaning it.**



H10503

3. REPLACE NO. 1 STOPPERS

- (a) Remove the damaged stoppers.

- (b) Cut off the old adhesive around the stoppers installation area.

NOTICE:

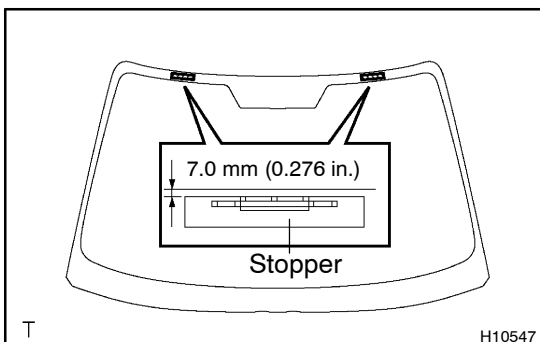
Be careful not to damage the body.

- (c) Clean the installation area.

- (d) Attach new stoppers to the body with the notches on the body aligned with the stoppers as shown in the illustration.

HINT:

Make sure that the stoppers are installed facing in the correct direction.



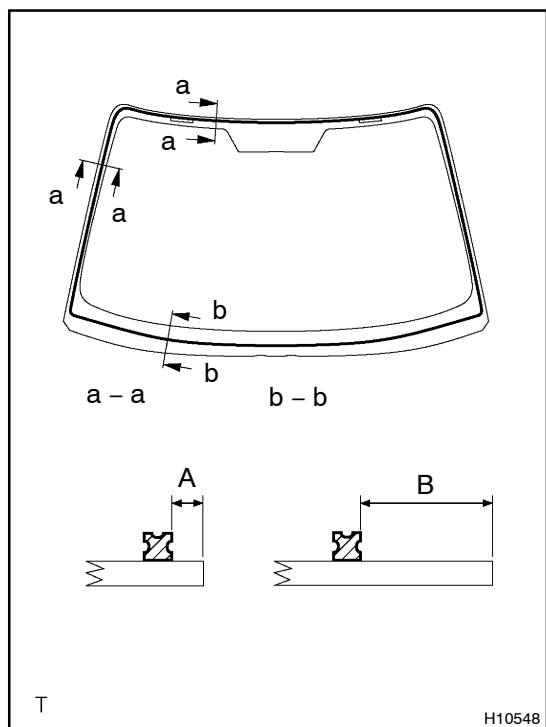
H10547

4. INSTALL NEW NO. 2 STOPPERS

Attach new stoppers to the glass with the ceramic notches on the glass aligned with the stoppers as shown in the illustration.

HINT:

Make sure that the stoppers are installed facing in the correct direction.

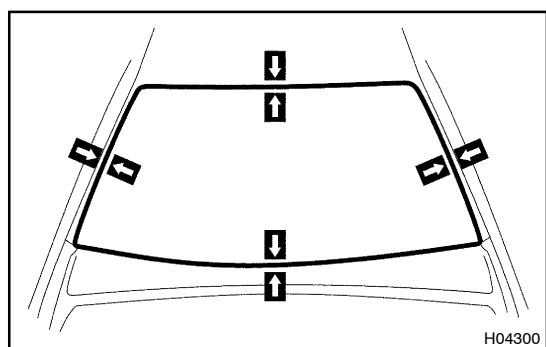


5. INSTALL NEW DAMS

Install new dams with double-stick tape as shown in the illustration.

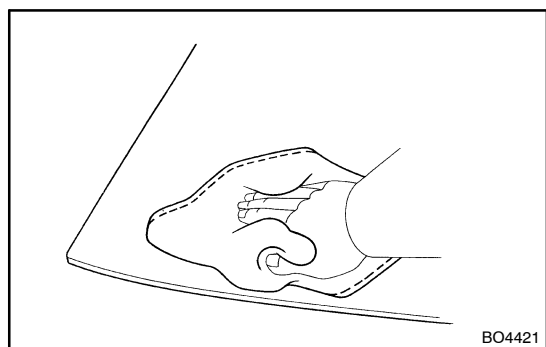
A: 7.0 mm (0.276 in.)

B: 35.9 mm (1.413 in.)



6. POSITION GLASS

- Place the glass in the correct position.
- Check that all contacting parts of the glass rim are perfectly even.
- Place reference marks between the glass and body.
- Remove the glass.

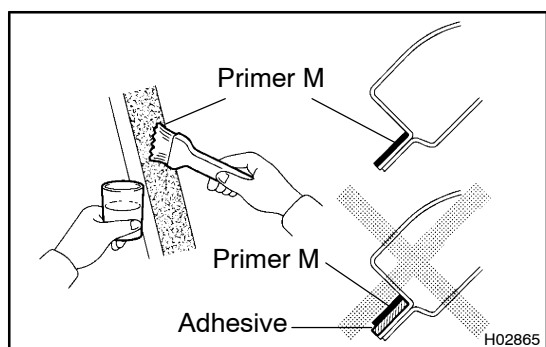


7. CLEAN CONTACT SURFACE OF GLASS

Using a cleaner, clean the contact surface which is black-colored area around the entire glass rim.

NOTICE:

Do not touch the glass face after cleaning it.

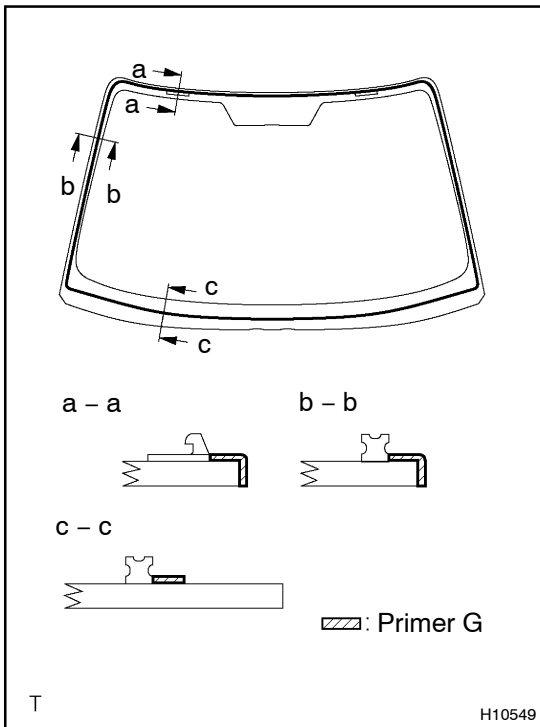


8. COAT CONTACT SURFACE OF BODY WITH PRIMER "M"

Using a brush, coat Primer M to the exposed part of body on the vehicle side.

NOTICE:

- Let the primer coating dry for 3 minutes or more.
- Do not coat Primer M to the adhesive.
- Do not keep any of the opened Primer M for later use.

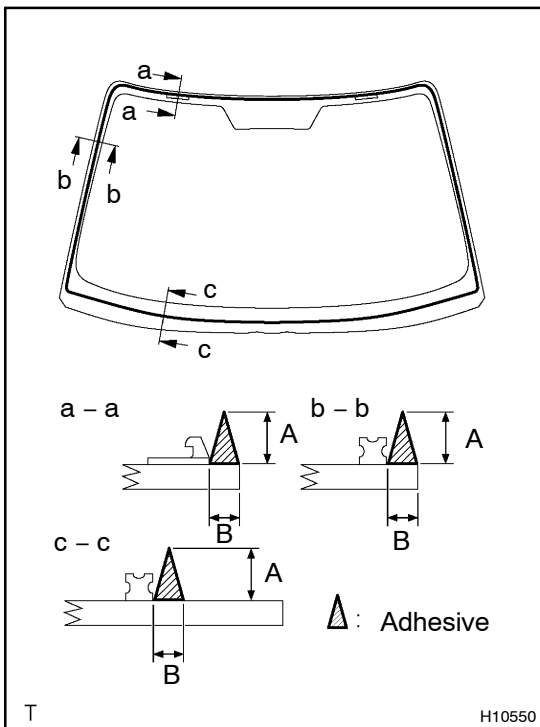


9. COAT CONTACT SURFACE OF GLASS WITH PRIMER "G"

- (a) Using a brush or sponge, coat the edge of the glass and the contact surface with Primer G as shown in the illustration.
- (b) When the primer is coated wrongly to the area other than the specified, wipe it off with a clean shop rag before the primer dries.

NOTICE:

- **Let the primer coating dry for 3 minutes or more.**
- **Do not keep any of the opened Primer G for later use.**



10. APPLY ADHESIVE

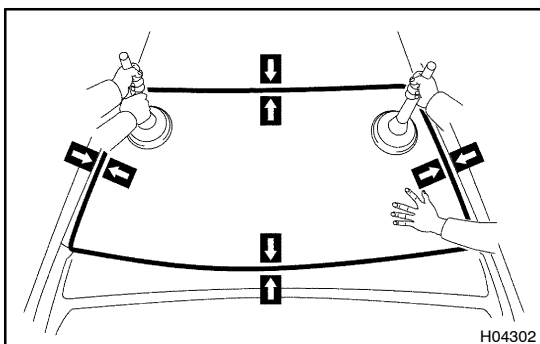
- (a) Cut off the tip of the cartridge nozzle.
Part No. 08850-00801 or equivalent

HINT:

After cutting off the tip, use all adhesive within the time described in the table below.

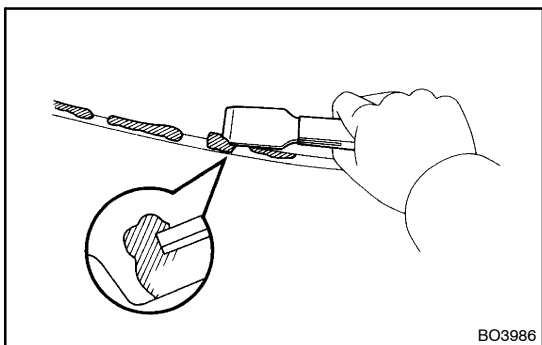
Temperature	Tackfree time
35°C (95°F)	15 minutes
20°C (68°F)	100 minutes
5°C (41°F)	8 hours

- (b) Load the cartridge into the sealer gun.
- (c) Coat the glass with adhesive as shown in the illustration.
A: 12.5 mm (0.492 in.)
B: 8.0 mm (0.315 in.)



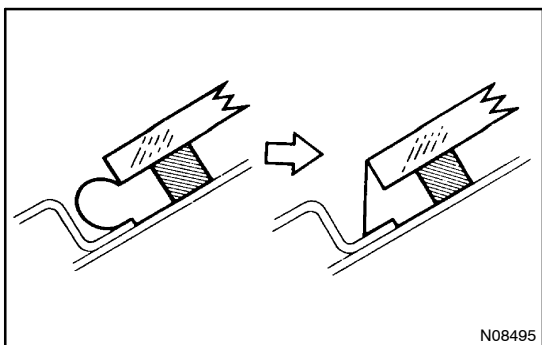
11. INSTALL GLASS

- (a) Position the glass so that the reference marks are lined up, and press in gently along the rim.
- (b) Using a spatula, apply adhesive on the glass rim.



BO3986

- (c) Use a scraper to remove any excess or protruding adhesive.



N08495

HINT:

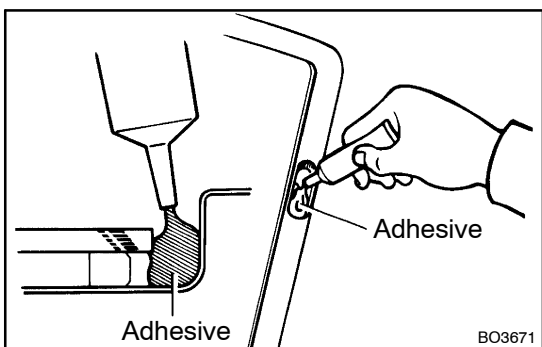
Confirm that the dam is attached to the body panel as shown in the illustration.

- (d) Hold the windshield glass in place securely with a protective tape or equivalent until the adhesive hardens.

NOTICE:

Take care not to drive the vehicle during the time described in the table below.

Temperature	Minimum time prior to driving the vehicle
35°C (95°F)	1.5 hours
20°C (68°F)	5 hours
5°C (41°F)	24 hours

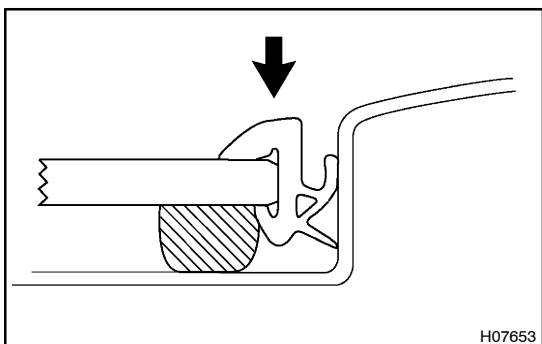


BO3671

12. APPLY ADHESIVE TO MOULDING INSTALLATION AREA

Apply adhesive to the moulding installation area between the glass and the body.

Part No. 08833-00030 or equivalent



H07653

13. INSTALL WINDSHIELD OUTSIDE MOULDING

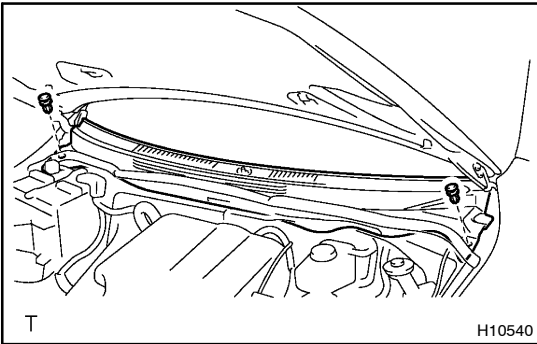
Place new moulding onto the body and tap it by hand.

14. INSPECT FOR LEAK AND REPAIR

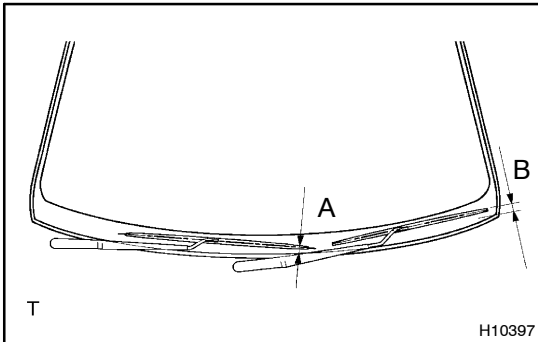
- (a) Conduct a leak test after the hardening time has elapsed.
 (b) Seal any leak with sealant.

Part No. 08833-00030 or equivalent

15. INSTALL FRONT PART OF ROOF HEADLINING

**16. INSTALL COWL LOUVER**

- (a) Install the cowl louver with the 2 clips.
- (b) Install the hood to cowl top seal.

**17. INSTALL WIPER ARMS**

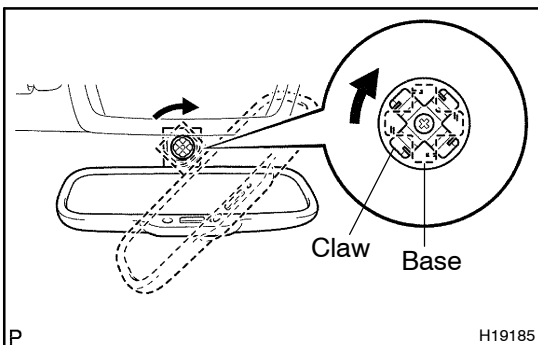
- (a) Operate the wipers once and turn the wiper switch OFF.
- (b) Install the wiper arms and tighten the nuts by hand.
- (c) Adjust the installation positions of the wiper arms to the positions as shown in the illustration.

A: 20.0 mm (0.787 in.)

B (Europe models): 25.0 mm (0.984 in.)

B (Australia models): 28.0 mm (1.102 in.)

- (d) Install the 2 wiper arms with the 2 nuts.
- Torque: 26 N·m (265 kgf·cm, 19 ft·lbf)**
- (e) Install the 2 wiper arm head covers.

**18. REMOVE ELECTRO CHROMIC INNER MIRROR**

- (a) Match the claw part of the mirror with a cut part of the base.
- (b) Turn the stay part of the mirror clockwise so that the stay can come to the original position, and then install the mirror assembly.
- (c) w/ Electro chromic inner mirror:
Connect the inner rear view mirror connector.

19. INSTALL FRONT ASSIST GRIP

- (a) Install the assist grip with the 2 screws.
- (b) Install the caps.

20. INSTALL SUN VISOR HOLDERS

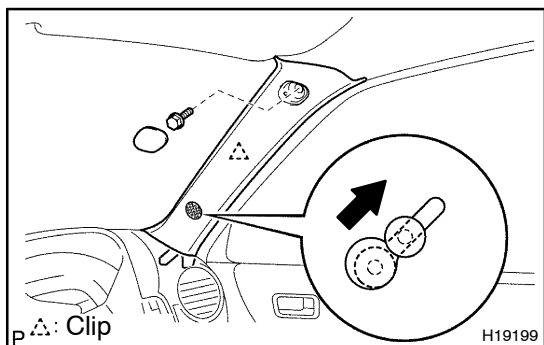
Install the sun visor holders with the 2 screws.

21. INSTALL SUN VISORS

Connect the connectors, then install the sun visors with the 4 screws.

22. INSTALL MAP LIGHT ASSEMBLY

- (a) Connect the connectors.
- (b) Install the map light assembly with the 2 screws.
- (c) w/o Sliding roof:
Install the lens.
- (d) w/ Sliding roof:
Install the cover.

**23. INSTALL FRONT PILLAR GARNISH**

- (a) Remove the protection cover.
- (b) Install the bolt.
Torque: 9.8 N·m (100 kgf·cm, 87 in·lbf)
- (c) Install the front pillar garnish to the body.
- (d) Install the bolt.
- (e) Install the front pillar garnish cover.
- (f) Employ the same manner described above to the other side.

24. INSTALL FRONT PART OF FRONT DOOR OPENING TRIMS