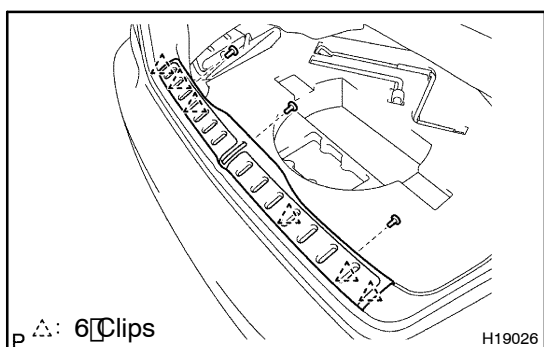


REMOVAL

1. REMOVE REAR SEAT CUSHION (See page BO-112)
2. REMOVE SIDE SEAT BACK ASSEMBLY (See page BO-112)
3. REMOVE REAR SEAT FLOOR BOARD NO. 4
 - (a) Remove the seat back board carpets.
 - (b) Remove the 2 bolts and rear floor board.
4. REMOVE DECK FLOOR BOX FRONT
 - (a) Remove the 2 bolts and the 2 rope hook assemblies.
 - (b) Remove the deck floor box.
5. REMOVE DECK BOARD NO. 2
6. REMOVE REAR FLOOR BOARD NO. 2
7. REMOVE REAR FLOOR BOARD NO. 3
8. REMOVE TONNEAU COVER ASSEMBLY

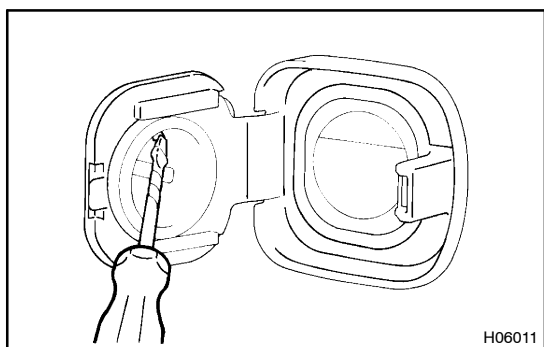


9. REMOVE REAR FLOOR FINISH PLATE

- (a) Remove the 2 bolts and the 2 rope hook assemblies.
- (b) Remove the 3 clips.
- (c) Using a screwdriver, remove the rear floor finish plate.

HINT:

Tape the screwdriver tip before use.



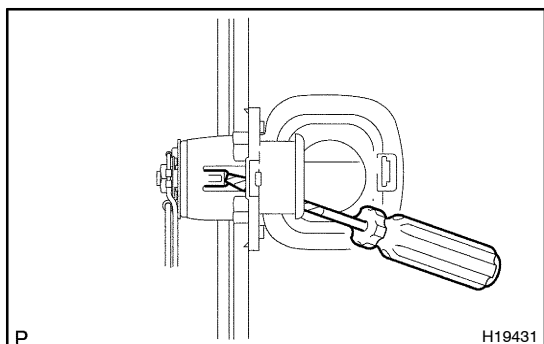
10. RH side:

REMOVE ACCESSORY SOCKET

- (a) Using a screwdriver, disengage the claw on the accessory socket cover from the hole in the accessory socket, then pull out the accessory socket approx. 15 mm (0.59 in.).

HINT:

Tape the screwdriver tip before use.

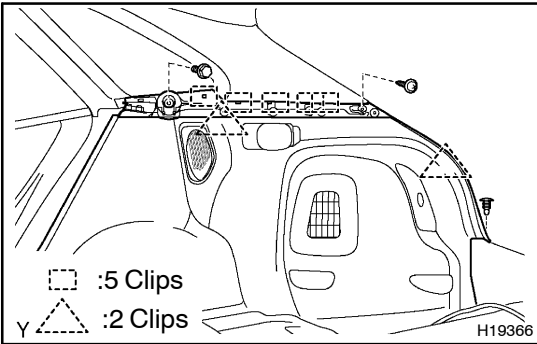


- (b) Using a screwdriver, disengage the claw on the accessory socket cover from the body and remove the accessory socket and cover as a unit.

HINT:

Tape the screwdriver tip before use.

- (c) Disconnect the connector.
- (d) Disassemble the accessory socket from the socket cover.

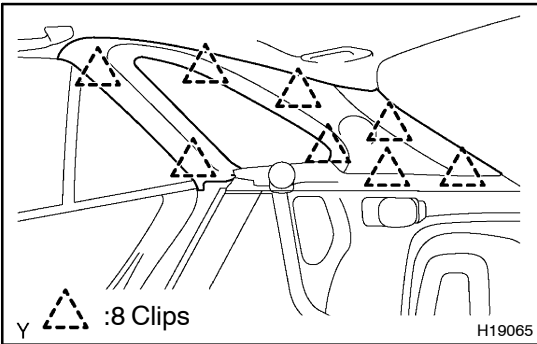


11. REMOVE DECK TRIM SIDE PANEL ASSEMBLY

- (a) Remove the 2 bolts and 2 floor hooks.
- (b) Remove the screw, bolt and clip.
- (c) Using a screwdriver, remove the deck trim side panel assembly then disconnect the connector.

HINT:

Tape the screwdriver tip before use.



12. REMOVE ROOF SIDE INNER GARNISH

Using a screwdriver, remove the roof side inner garnish.

HINT:

Tape the screwdriver tip before use.

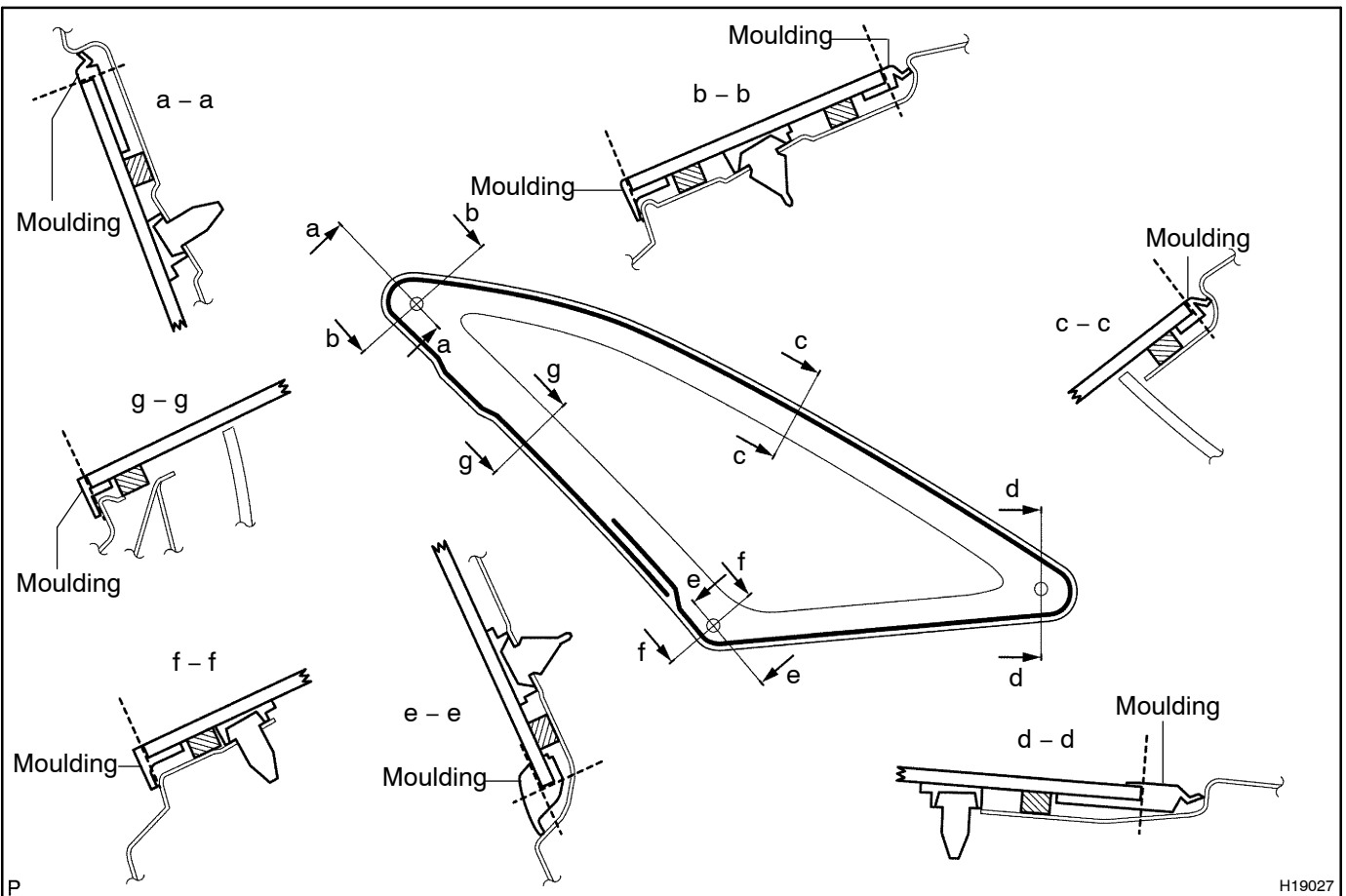
13. REMOVE QUARTER WINDOW GLASS

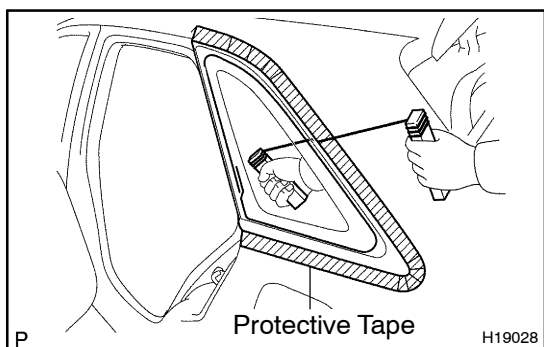
- (a) Using a knife, cut off the moulding as shown in the illustration.

NOTICE:

Do not damage the body with a knife.

- (b) Disconnect the connector.





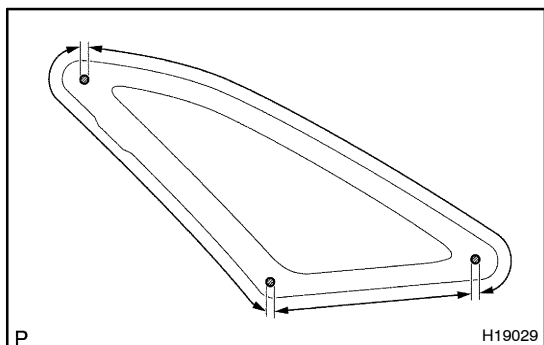
- (c) Push a piano wire through from the interior.
 (d) Tie both wire ends to wooden blocks or similar object.

HINT:

Apply protective tape to the outer surface to keep the surface from being scratched.

NOTICE:

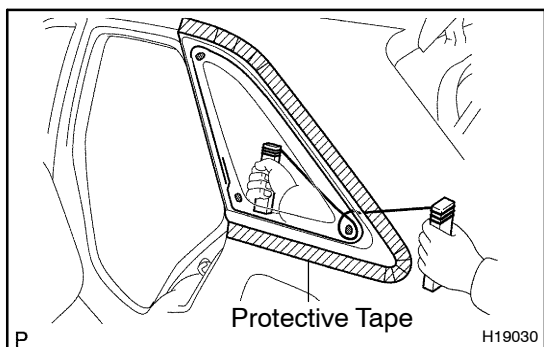
When separating the glass, take care not to damage the paint and exterior.



- (e) Cut the adhesive by pulling the piano wire around it.

HINT:

Cut the adhesive areas as shown in the illustration, leaving the adhesive where the clips are.



- (f) Push the piano wire through as shown in the illustration, cut off the adhered part to the clips.

- (g) Remove the glass.

NOTICE:

Leave as much of the adhesive on the body as possible when cutting off the glass.