

## INSTALLATION

### 1. CLEAN AND SHAPE CONTACT SURFACE OF BODY PANEL

- (a) Using a knife, cut away any rough areas on the body.

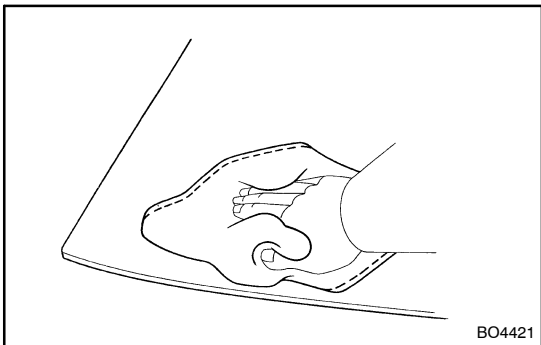
HINT:

Leave as much of the adhesive on the body as possible.

- (b) Clean the cutting surface of the adhesive with a piece of shop rag saturated in cleaner.

HINT:

Even if all the adhesive has been removed, clean the body.

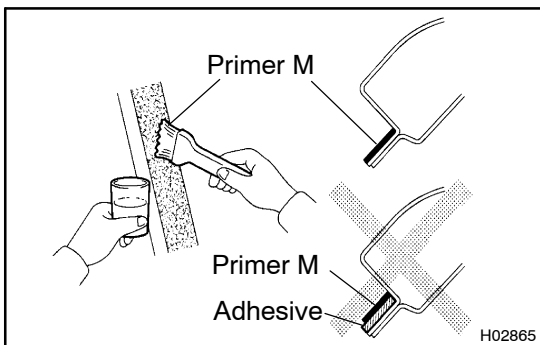


### 2. CLEAN CONTACT SURFACE OF GLASS

Using a cleaner, clean the contact surface which is black-colored area around the entire glass rim.

**NOTICE:**

**Do not touch the glass face after cleaning it.**



### 3. COAT CONTACT SURFACE OF BODY WITH PRIMER "M"

Using a brush, coat Primer M to the exposed part of body on the vehicle side.

**NOTICE:**

- Let the primer coating dry for 3 minutes or more.
- Do not coat Primer M to the adhesive.
- Do not keep any of the opened Primer M for later use.

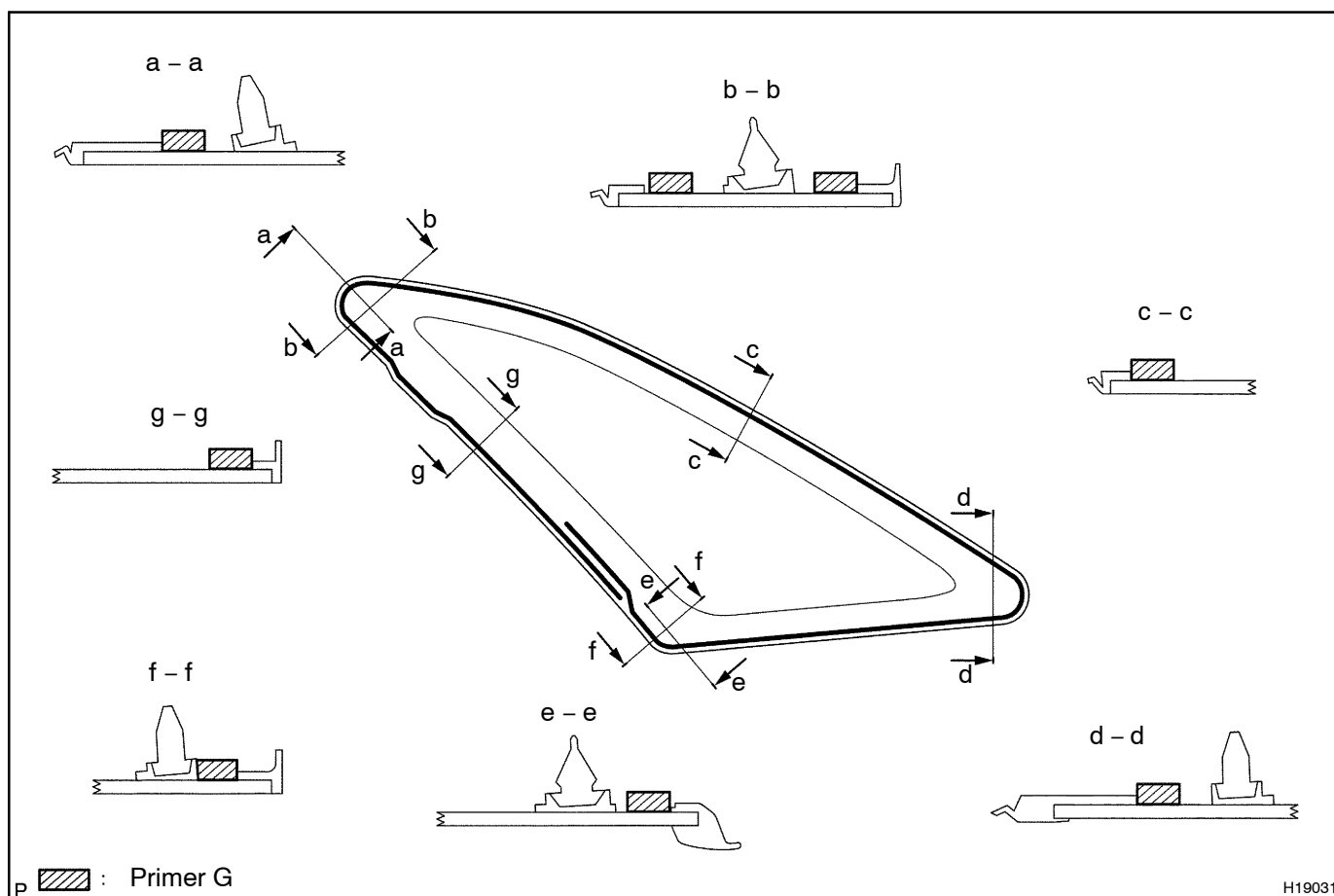
### 4. COAT CONTACT SURFACE OF GLASS WITH PRIMER "G"

- (a) Using a brush or sponge, coat the edge of the glass and the contact surface with Primer G as shown in the illustration on the following page.

- (b) When the primer is coated wrongly to the area other than the specified, wipe it off with a clean shop rag before the primer dries.

**NOTICE:**

- Let the primer coating dry for 3 minutes or more.
- Do not keep any of the opened Primer G for later use.



## 5. APPLY ADHESIVE

- (a) Cut off the tip of the cartridge nozzle.  
**Part No. 08850-00801 or equivalent.**

### HINT:

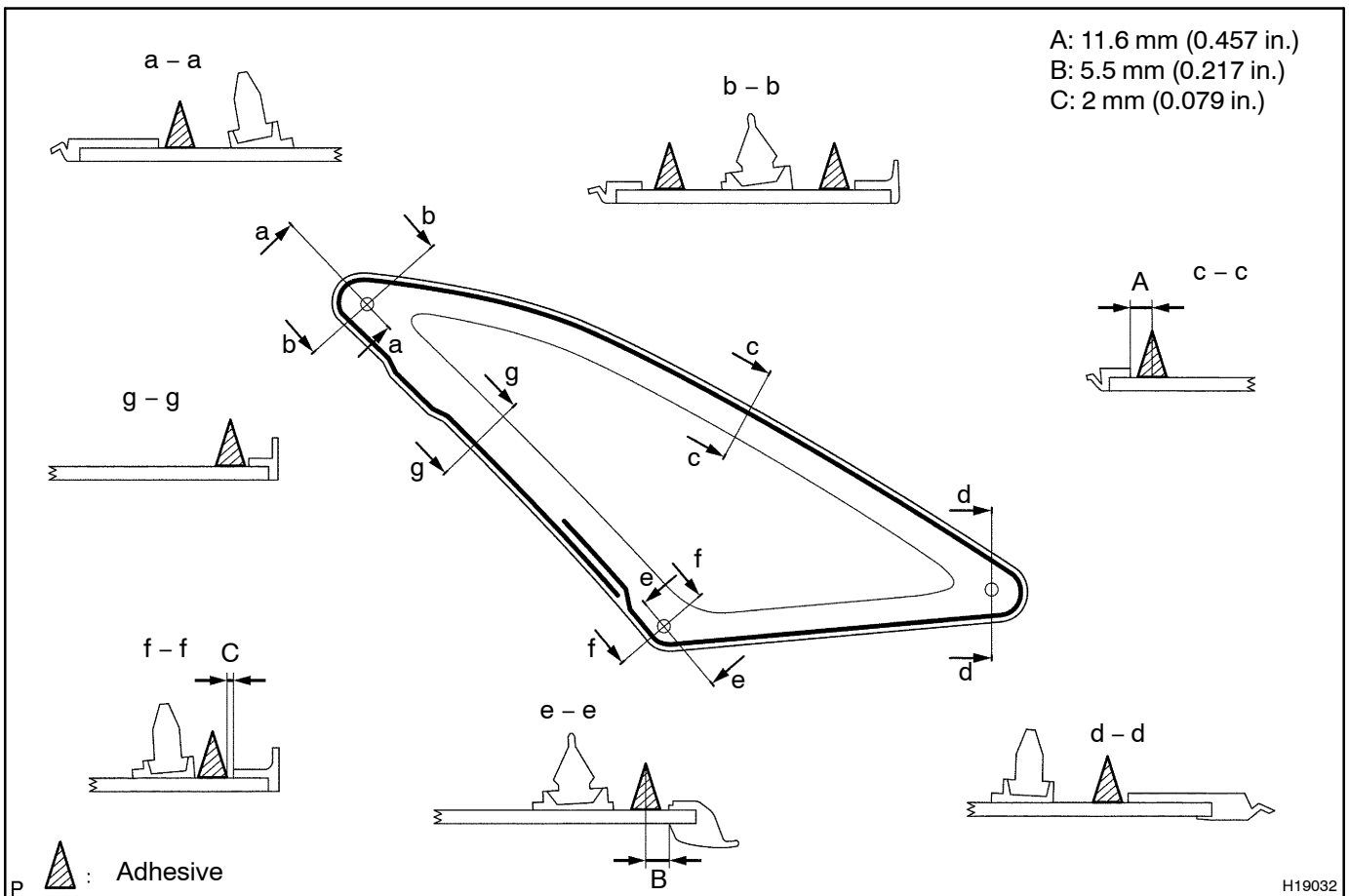
After cutting off the tip, use all adhesive within the time described in the table below.

Temperature	Tackfree time
35°C (95°F)	15 minutes
20°C (68°F)	100 minutes
5°C (41°F)	8 hours

- (b) Load the cartridge into the sealer gun.  
 (c) Coat the glass with adhesive as shown in the illustration on the following page.

**Adhesive height: 12.5 mm (0.492 in.)**

**Adhesive width: 8.0 mm (0.315 in.)**



## 6. INSTALL GLASS

- (a) Install the glass to the body.
- (b) Hold the glass in place securely with a protective tape or equivalent until the adhesive hardens.

### NOTICE:

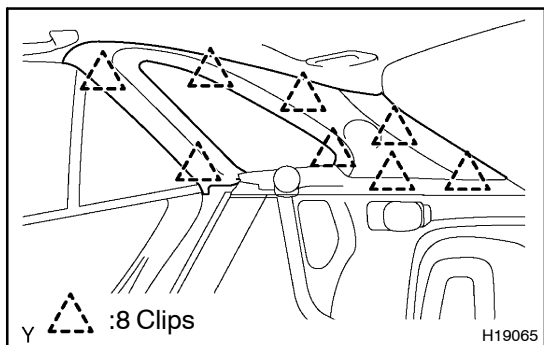
**Take care not to drive the vehicle during the time described in the table below.**

Temperature	Minimum time prior to driving the vehicle
35°C (95°F)	1.5 hours
20°C (68°F)	5 hours
5°C (41°F)	24 hours

## 7. INSPECT FOR LEAK AND REPAIR

- (a) Conduct a leak test after the hardening time has elapsed.
- (b) Seal any leak with sealant.

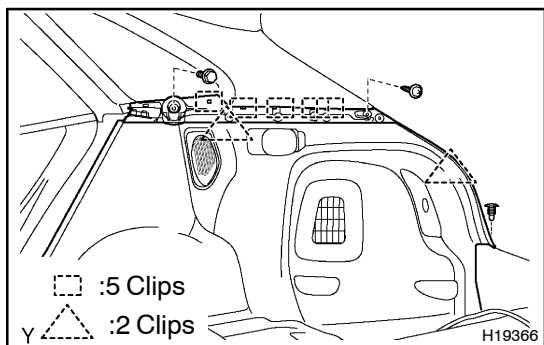
**Part No. 08833-00030 or equivalent.**

**8. INSTALL ROOF SIDE INNER GARNISH**

Install the roof side inner garnish to the body.

**HINT:**

After cutting off the tip, use all adhesive within the time described in the table below.

**9. INSTALL DECK TRIM SIDE PANEL ASSEMBLY**

(a) Install the deck trim side panel with the screw, bolt and clip.

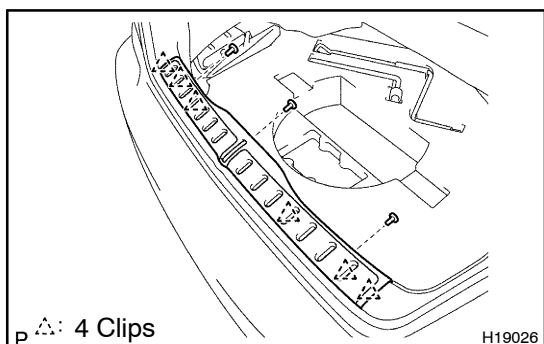
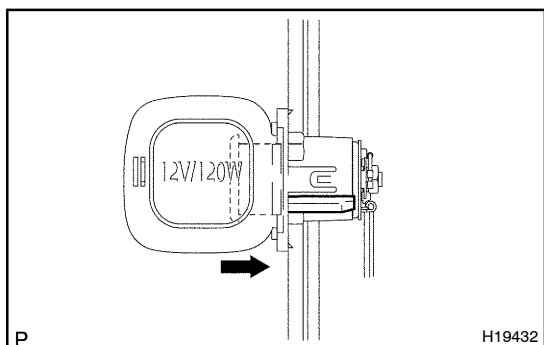
(b) Install the 2 floor hooks with the 2 bolts.

**10. RH side:****INSTALL ACCESSORY SOCKET**

(a) Assemble the accessory socket to the accessory socket cover at the position 15 mm (0.59 in.) away from full lock position and ensure that they are temporarily locked.

(b) Align the cut-out on the body with the claw on the accessory socket cover, and install the accessory socket and cover to the body.

(c) After installing them, push in the accessory socket approx. 15 mm (0.59 in.) to lock it.

**11. INSTALL REAR FLOOR FINISH PLATE**

(a) Install the rear floor finish plate with the 3 clips.

(b) Install the 2 rope hook assemblies with the 2 bolts.

**12. INSTALL TONNEAU COVER****13. INSTALL REAR FLOOR BOARD NO. 3****14. INSTALL REAR FLOOR BOARD NO. 2****15. INSTALL DECK BOARD NO. 2****16. INSTALL DECK FLOOR BOX FRONT**

(a) Install the deck floor box.

(b) install the 2 rope hook assemblies with the 2 bolts.

**17. INSTALL REAR SEAT FLOOR BOARD NO. 4**

Install the rear floor board with the 2 bolts.

