

INSTALLATION

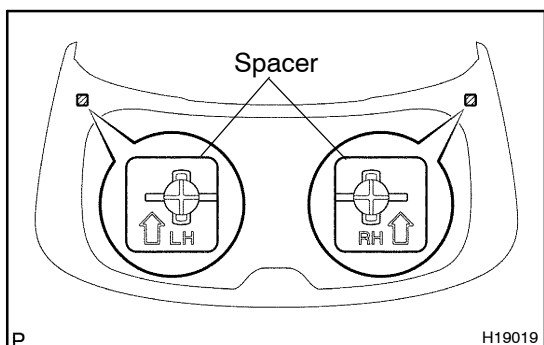
1. CLEAN AND SHAPE CONTACT SURFACE OF BODY

- (a) Using a knife, cut away any rough areas on the body.

HINT:

Leave as much of the adhesive on the body as possible.

- (b) Clean the cutting surface of the adhesive with a piece of shop rag saturated in cleaner.



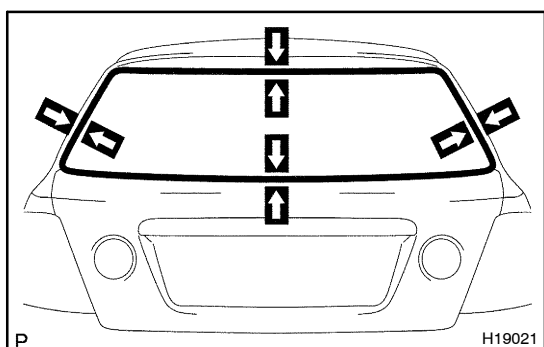
2. REPLACE SPACER

- (a) Remove the damaged spacers.
 (b) Cut off the old adhesive around the spacers installation area.

NOTICE:

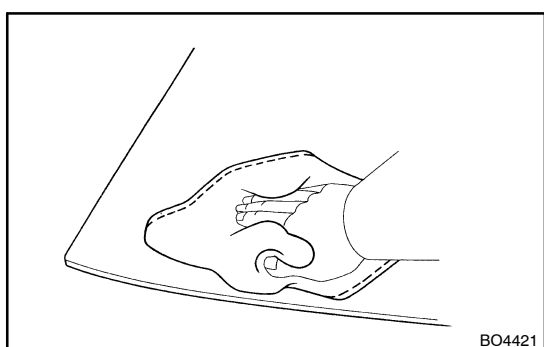
Be careful not to damage the body.

- (c) Clean the installation area.
 (d) Attach the new spacers to the glass with the ceramic notch on the glass aligned with the spacers as shown in the illustration.



3. POSITION GLASS

- (a) Place the glass in the correct position.
 (b) Check that all contacting part of the glass rim are perfectly even.
 (c) Place reference marks between the glass and body.
 (d) Remove the glass.

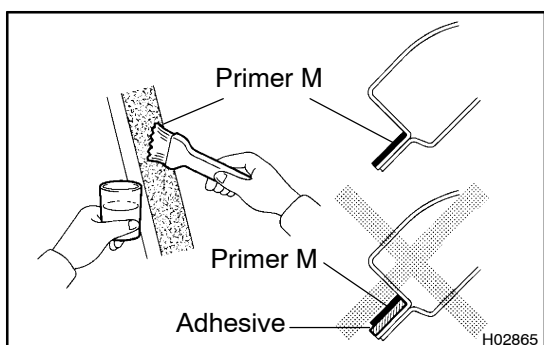


4. CLEAN CONTACT SURFACE OF GLASS

Using a cleaner, clean the contact surface which is black-colored area around the entire glass rim.

NOTICE:

Do not touch the glass face after cleaning it.

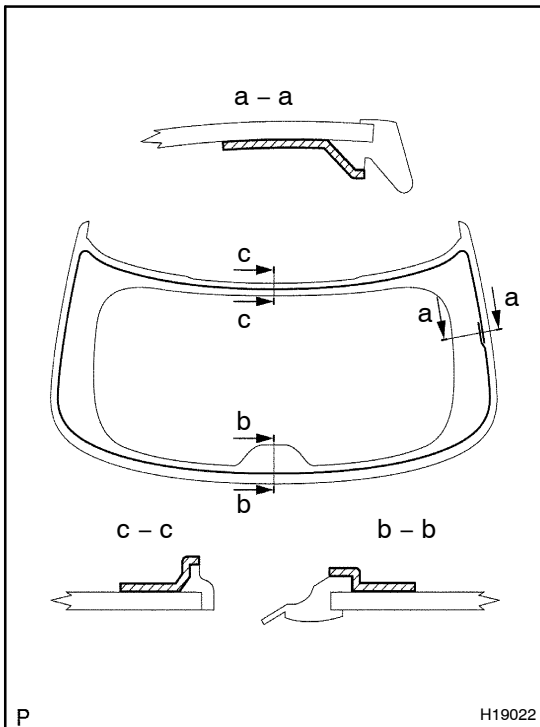


5. COAT CONTACT SURFACE OF BODY WITH PRIMER "M"

Using a brush, coat Primer M to the exposed part of body on the vehicle side.

NOTICE:

- Let the primer coating dry for 3 minutes or more.
- Do not coat Primer M to the adhesive.
- Do not keep any of the opened Primer M for later use.

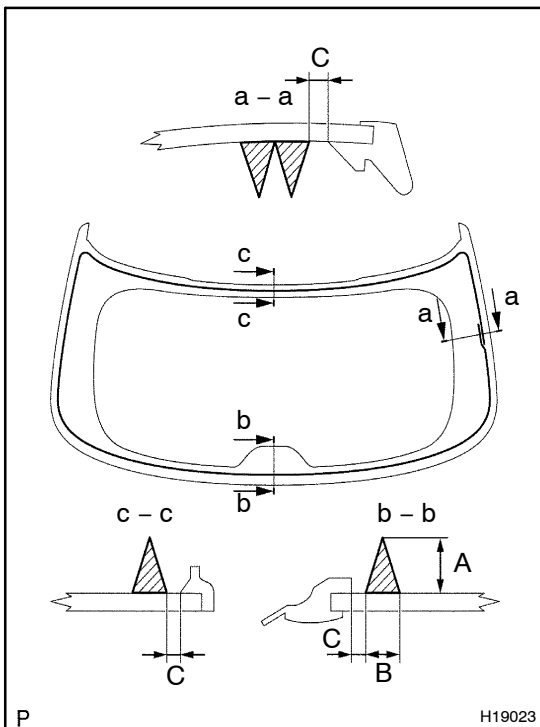


6. COAT CONTACT SURFACE OF GLASS WITH PRIMER "G"

- Using a brush or sponge, coat the edge of the glass and the contact surface with Primer G as shown in the illustration.
- When the primer is coated wrongly to the area other than the specified, wipe it off with a clean shop rag before the primer dries.

NOTICE:

- Let the primer coating dry for 3 minutes or more.
- Do not keep any of the opened Primer G for later use.



7. APPLY ADHESIVE

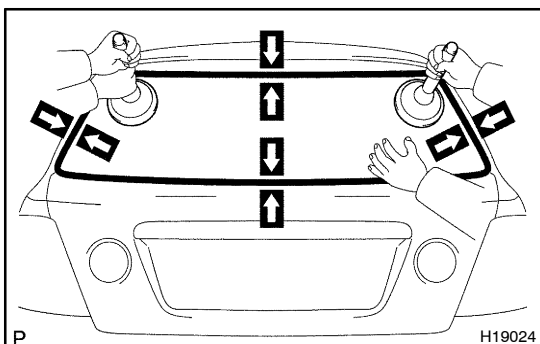
- Cut off the tip of the cartridge nozzle.
Part No. 08850-00801 or equivalent.

HINT:

After cutting off the tip, use all adhesive within the time described in the table below.

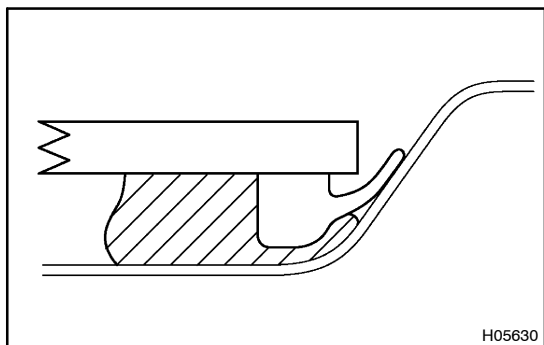
Temperature	Tackfree time
35°C (95°F)	15 minutes
20°C (68°F)	100 minutes
5°C (41°F)	8 hours

- Load the cartridge into the sealer gun.
- Coat the glass with adhesive as shown in the illustration.
A: 12.0 mm (0.472 in.)
B: 8.0 mm (0.315 in.)
C: 3.0 mm (0.118 in.)



8. INSTALL GLASS

- Position the glass so that the reference marks are lined up, and press in gently along the rim.
- Using a spatula, apply adhesive on the glass rim.
- Use a scraper to remove any excess or protruding adhesive.



H05630

HINT:

Confirm that the moulding is attached to the body panel as shown in the illustration.

- (d) Hold the back door glass in place securely with a protective tape or equivalent until the adhesive hardens.

NOTICE:

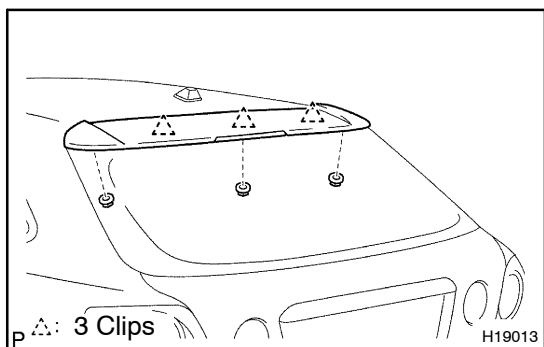
Take care not to drive the vehicle during the time described in the table below.

Temperature	Minimum time prior to driving the vehicle
35°C (95°F)	1.5 hours
20°C (68°F)	5 hours
5°C (41°F)	24 hours

9. INSPECT FOR LEAK AND REPAIR

- (a) Conduct a leak test after the hardening time has elapsed.
 (b) Seal any leak with sealant.

Part No. 08833-00030 or equivalent.

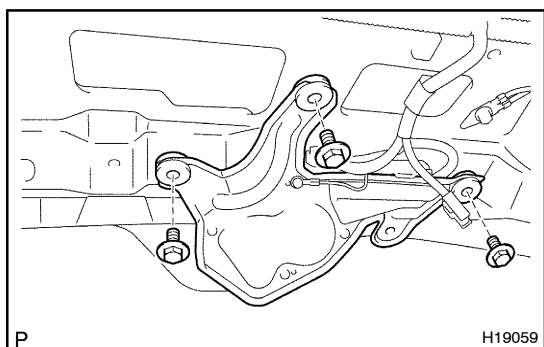


P Δ: 3 Clips

H19013

10. INSTALL REAR SPOILER COVER

Install the rear spoiler cover with the 3 nuts.

11. INSTALL BACK DOOR OUTSIDE HANDLE

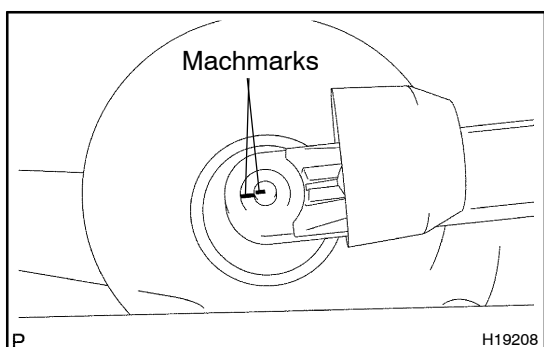
P

H19059

12. INSTALL REAR WIPER MOTOR

- (a) Install the rear wiper motor with the 3 bolts.
Torque: 5.5 N·m (56 kgf·cm, 49 in·lbf)
 (b) Connect the connector.
 (c) Install the nut and washer on the outer side of the back door panel.

Torque: 12 N·m (122 kgf·cm, 9 ft·lbf)

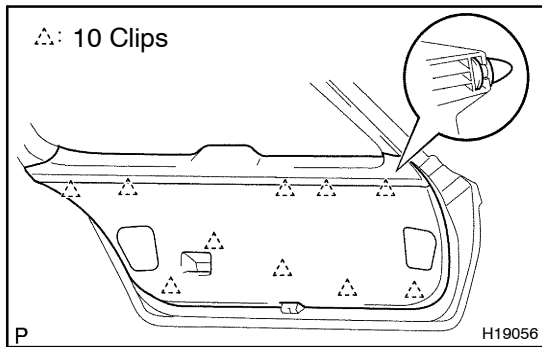


P

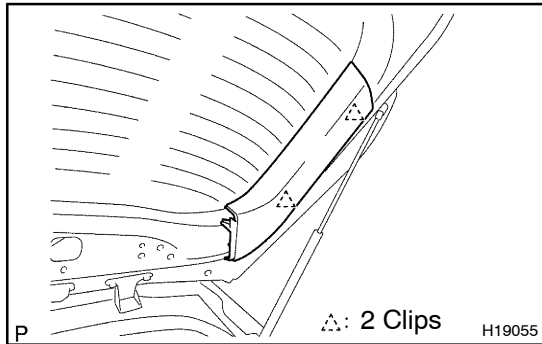
H19208

13. INSTALL REAR WIPER ARM

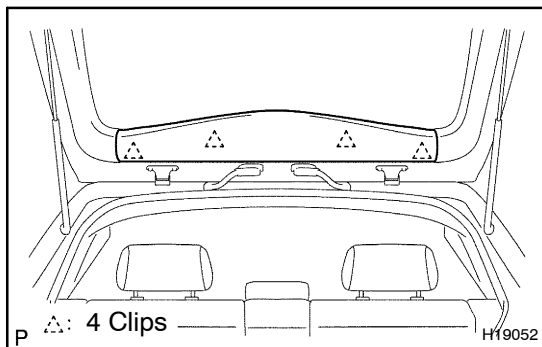
- (a) Install the wiper arm and tighten the nut by hand. Operate the wiper once and turn the wiper switch OFF.
 (b) Align the machmarks on the wiper arm and wiper motor.
 (c) Install the rear wiper arm with the nut.
Torque: 5.5 N·m (56 kgf·cm, 49 in·lbf)
 (d) Install the wiper arm cover.

**14. INSTALL BACK DOOR TRIM BOARD**

- (a) Install the back door trim board to the back door panel.
- (b) Install the back door handle with the clip.

**15. INSTALL BACK DOOR TRIM COVERS**

Install the trim cover to the body.

**16. INSTALL BACK DOOR TRIM BOARD UPPER**

Install the back door trim board upper to the body.