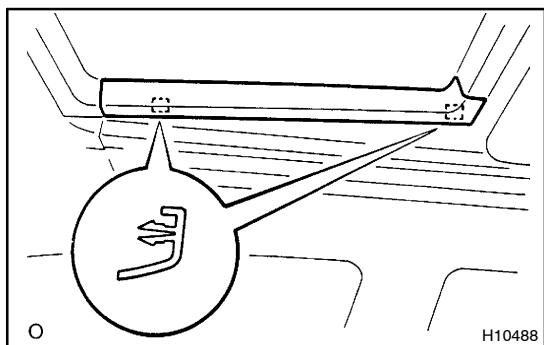


SLIDING ROOF REMOVAL

BO4BZ-01

1. Sedan type:
REMOVE ROOF HEADLINING (See page BO-72)
2. Wagon type:
REMOVE ROOF HEADLINING (See page BO-80)



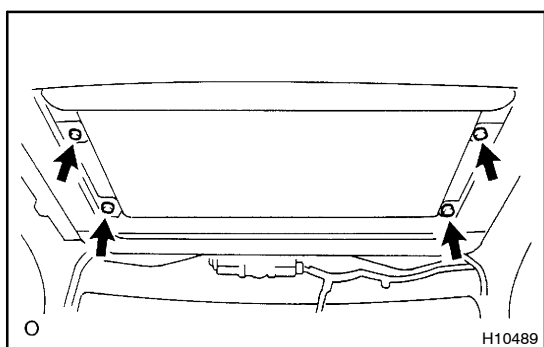
3. REMOVE SLIDING ROOF SIDE GARNISH

- (a) Using a screwdriver, remove the garnish.

HINT:

Tape the screwdriver tip before use.

- (b) Employ the same manner described above to the other side.



4. REMOVE SLIDING ROOF GLASS ASSEMBLY

- (a) Using a torx wrench, remove the 4 nuts.

Torque: 5.5 N·m (56 kgf·cm, 49 in·lbf)

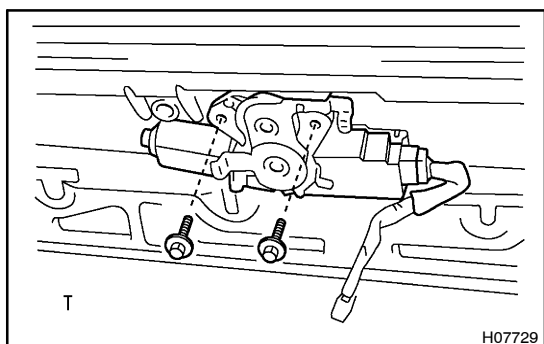
- (b) Pull the glass upward to remove it.

5. REMOVE SLIDING ROOF FRONT AND REAR GARNISHES

Using a screwdriver, remove the front and rear garnishes.

HINT:

Tape the screwdriver tip before use.

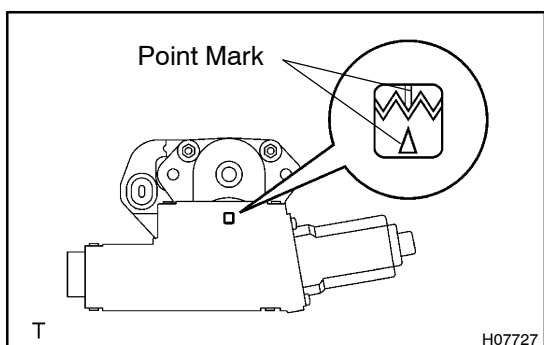


6. REMOVE DRIVE GEAR

NOTICE:

Remove the drive gear with the sliding roof fully closed.

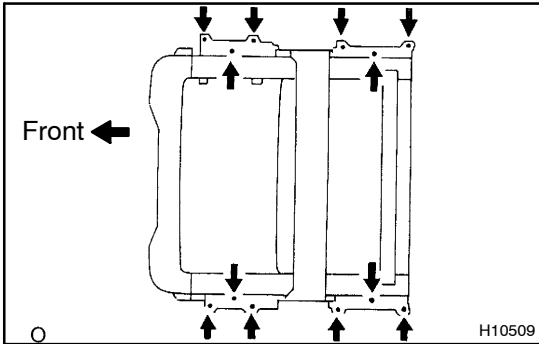
- (a) Disconnect the connector.
- (b) Remove the 2 bolts and drive gear.



- (c) Turn the drive gear to align the point marks as shown in the illustration.

NOTICE:

At the time of installation, please refer to the following item. If the sliding roof position and drive gear fully closed position are not matched, the sliding roof does not operate normally.



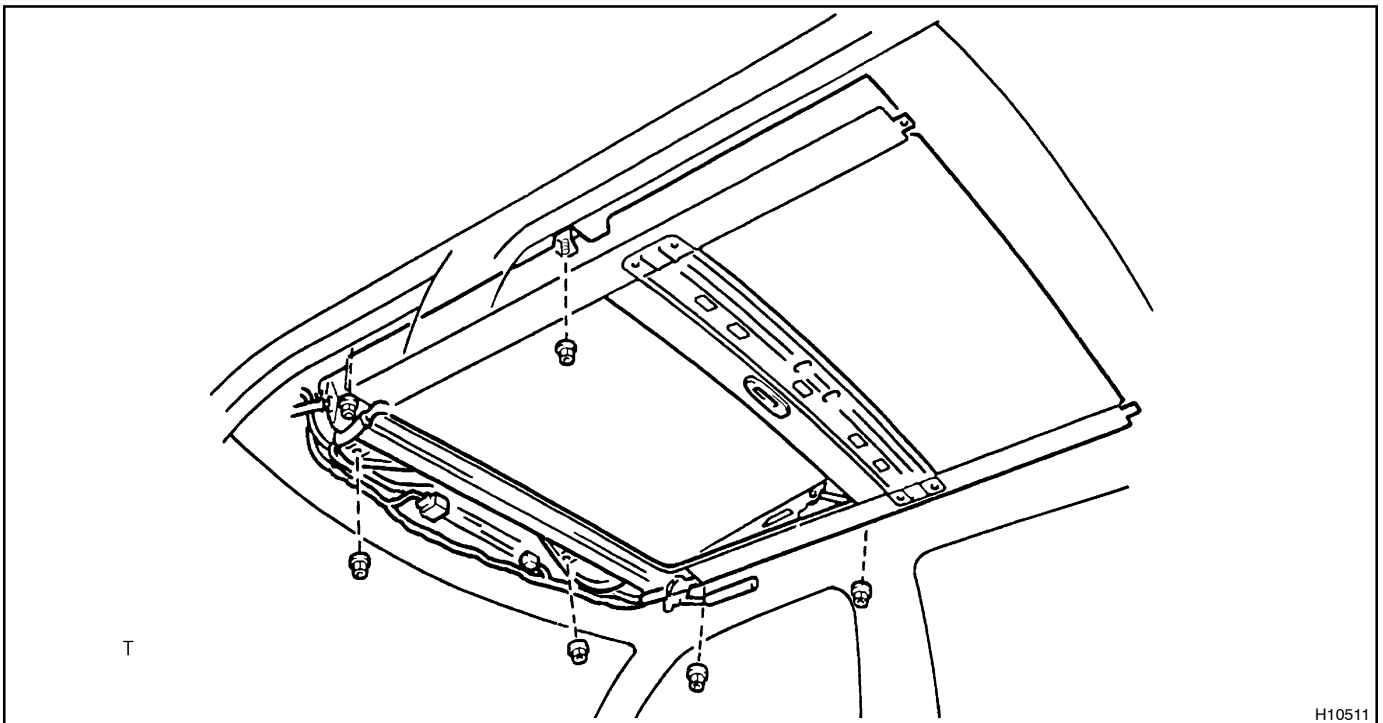
7. REMOVE SLIDING ROOF BRACKET

- (a) Remove the 3 bolts and sliding roof bracket.
Torque: 5.5 N·m (56 kgf·cm, 49 in·lbf)
- (b) Employ the same manner described above to the other sides.

8. REMOVE SLIDING ROOF HOUSING

- (a) Disconnect the 4 drain hoses from the housing.
- (b) Disengage the wire harness clamps.
- (c) Remove the 6 nuts, then remove the housing as shown in the illustration.

Torque: 8.0 N·m (82 kgf·cm, 71 in·lbf)



H10511