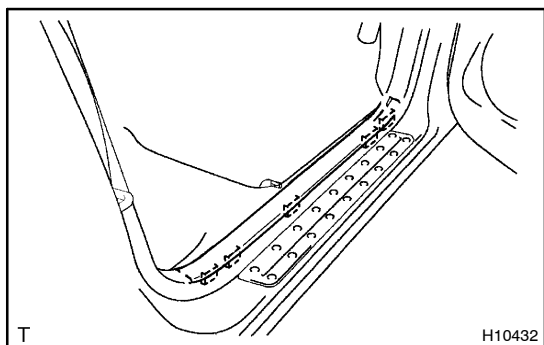


## REMOVAL

1. **REMOVE FRONT SEAT**  
(See [page BO-89](#) and [BO-101](#))
2. **Sedan type:**  
**REMOVE REAR SEAT CUSHION**  
(See Pub. No. RM 684E on page BO-142)
3. **Wagon type:**  
**REMOVE REAR SEAT CUSHION** (See [page BO-112](#))

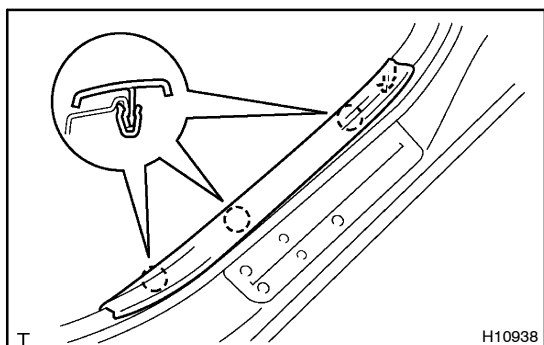


4. **REMOVE FRONT DOOR INSIDE SCUFF PLATE**
  - (a) Using a screwdriver, remove the front door inside scuff plate.

**HINT:**

Tape the screwdriver tip before use.

- (b) Employ the same manner described above to the other side.

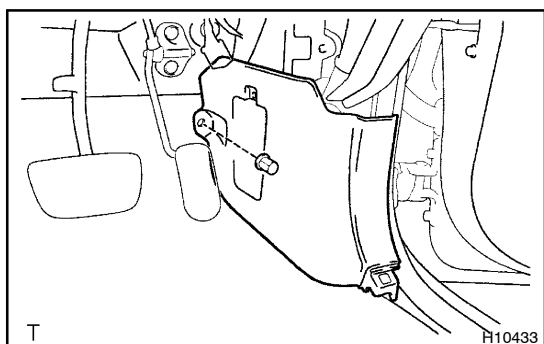


5. **REMOVE REAR DOOR INSIDE SCUFF PLATE**
  - (a) Using a screwdriver, remove the rear door inside scuff plate.

**HINT:**

Tape the screwdriver tip before use.

- (b) Employ the same manner described above to the other side.



6. **REMOVE COWL SIDE TRIM BOARD**
  - (a) Remove the clip and cowl side trim board.
  - (b) Employ the same manner described above to the other side.

7. **REMOVE FRONT DOOR OPENING TRIMS**

8. **REMOVE REAR DOOR OPENING TRIMS**

9. **REMOVE FRONT SEAT OUTER BELT FLOOR ANCHORS**

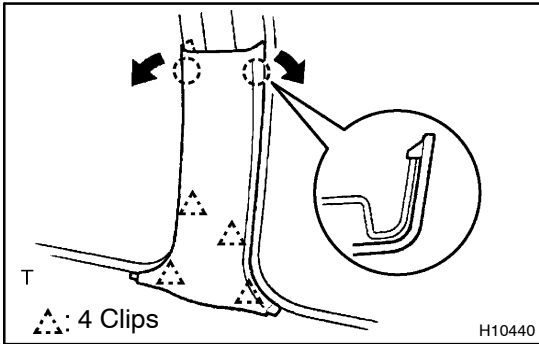
- (a) Using a screwdriver, remove the floor anchor cover caps.

**HINT:**

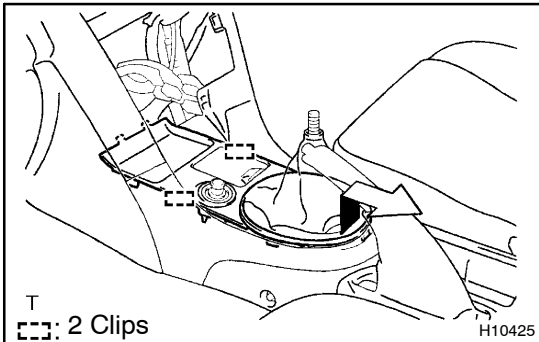
Tape the screwdriver tip before use.

- (b) Remove the 2 bolts and floor anchors.

**Torque: 41 N·m (420 kgf·cm, 30 ft·lbf)**

**10. REMOVE CENTER PILLAR LOWER GARNISH**

- (a) Remove the center pillar lower garnish as shown in the illustration.
- (b) Employ the same manner described above to the other side.

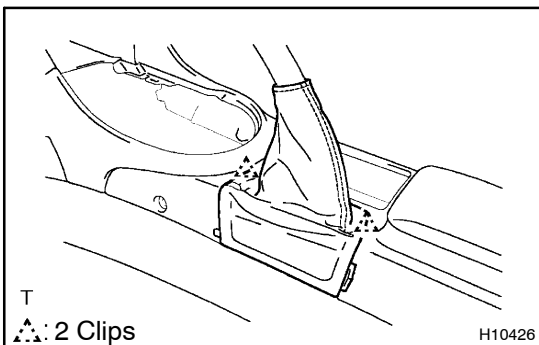
**11. M/T:  
REMOVE SHIFT LEVER KNOB****12. REMOVE UPPER CONSOLE PANEL**

- (a) Using a screwdriver, remove the upper console panel.

**HINT:**

Tape the screwdriver tip before use.

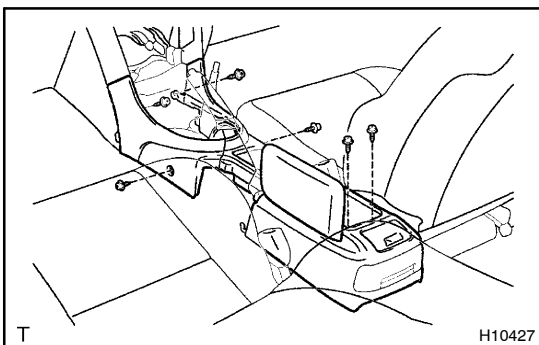
- (b) Disconnect the connector.

**13. REMOVE PARKING BRAKE HOLE COVER**

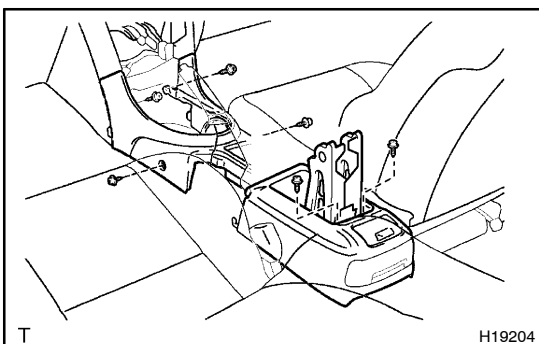
Using a screwdriver, remove the parking brake hole cover.

**HINT:**

Tape the screwdriver tip before use.

**14. w/o Arm rest:  
REMOVE CONSOLE BOX**

- (a) Remove the 6 screws.
- (b) w/o LEXUS navigation system:  
Pull the console box rearward to remove it.
- (c) w/ LEXUS navigation system:  
Pull the console box rearward to remove it then disconnect the connector.

**15. w/ Arm rest:  
REMOVE CONSOLE BOX**

- (a) Using a screwdriver, remove the box side No.1 and No.2 panels.

**HINT:**

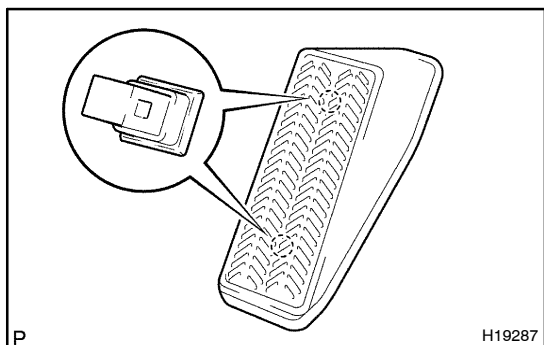
Tape the screwdriver tip before use.

- (b) Remove the 2 bolts and console compartment door.
- (c) Remove the console box cover rear.
- (d) Remove the 6 screws.

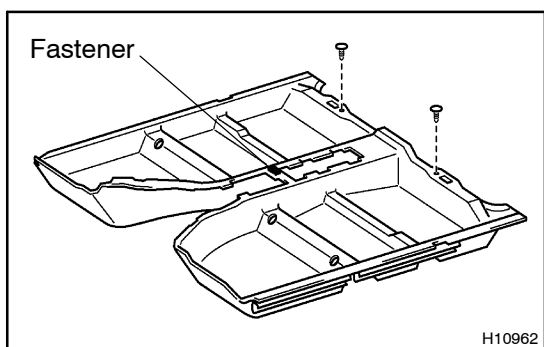
- (e) w/o LEXUS navigation system:  
Pull the console box rearward to remove it.
- (f) w/ LEXUS navigation system:  
Pull the console box rearward to remove it then disconnect the connector.

#### 16. REMOVE FOOT REST

- (a) Sports pedal type:  
Remove the 4 screws and foot rest trim.



- (b) Using a screwdriver, remove the foot rest.



#### 17. REMOVE FLOOR CARPET

- (a) Peel off the fastener.
- (b) Remove the 2 clips.
- (c) Disengage the hooks and remove the floor carpet.

#### NOTICE:

**Be careful not to pull the wire harness.**

#### HINT:

At the time of installation, please refer to the following items.

- When installing the floor mat, pull out the wire harness and levers through the cutout of the floor carpet.
- There should be no wrinkles or folds after attaching the floor carpet.