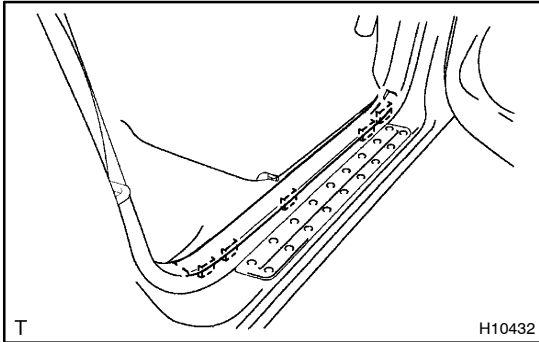


REMOVAL

1. **REMOVE REAR SEAT CUSHION**
(See Pub. No. RM684E BO section)
2. **REMOVE REAR SEATBACK**
(See Pub. No. RM684E BO section)



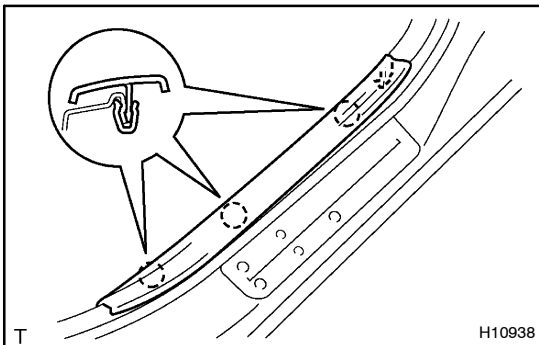
3. REMOVE FRONT DOOR INSIDE SCUFF PLATE

- (a) Using a screwdriver, remove the front door inside scuff plate as shown in the illustration.

HINT:

Tape the screwdriver tip before use.

- (b) Employ the same manner described above to the other side.



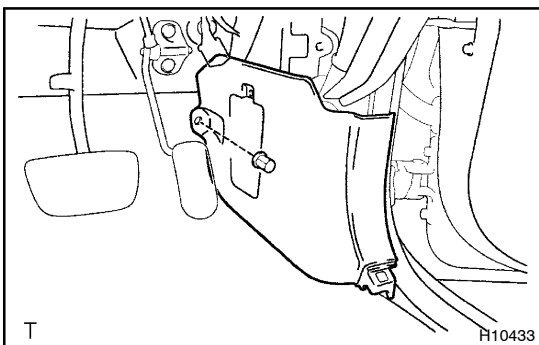
4. REMOVE REAR DOOR INSIDE SCUFF PLATE

- (a) Using a screwdriver, remove the rear door inside scuff plate as shown in the illustration.

HINT:

Tape the screwdriver tip before use.

- (b) Employ the same manner described above to the other side.

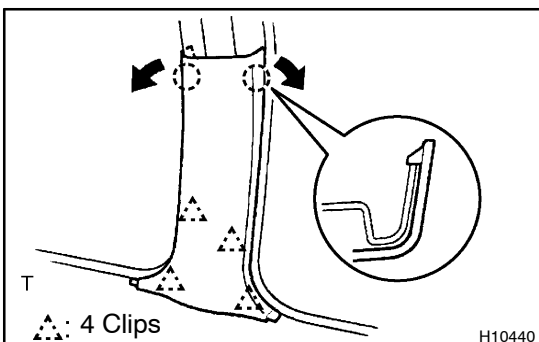


5. REMOVE COWL SIDE TRIM BOARD

- (a) Remove the clip and cowl side trim board.
- (b) Employ the same manner described above to the other side.

6. REMOVE FRONT DOOR OPENING TRIMS

7. REMOVE REAR DOOR OPENING TRIMS



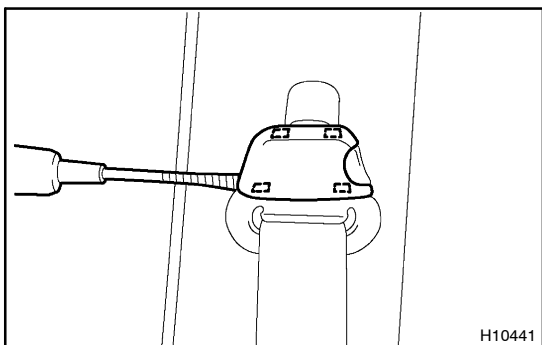
8. REMOVE CENTER PILLAR LOWER GARNISH

- (a) Using a screwdriver, remove the center pillar lower garnish.

HINT:

Tape the screwdriver tip before use.

- (b) Employ the same manner described above to the other side.



9. REMOVE FRONT SEAT OUTER BELT SHOULDER ANCHOR

- (a) Using a screwdriver, remove the anchor cap.

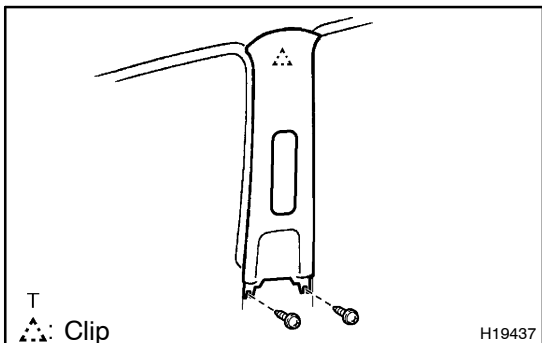
HINT:

Tape the screwdriver tip before use.

- (b) Remove the bolt and front seat outer belt shoulder anchor.

Torque: 42 N·m (428 kgf·cm, 31 ft·lbf)

- (c) Employ the same manner described above to the other side.



10. REMOVE CENTER PILLAR GARNISH

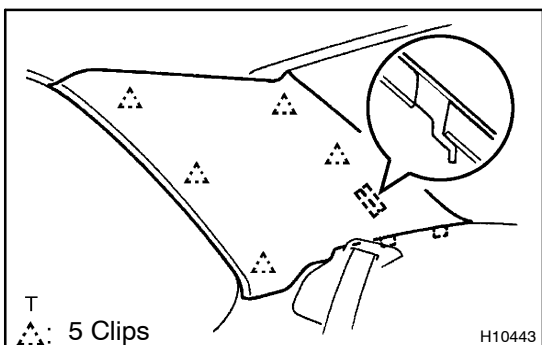
- (a) Remove the 2 screws.

- (b) Using a screwdriver, remove the center pillar garnish.

HINT:

Tape the screwdriver tip before use.

- (c) Employ the same manner described above to the other side.



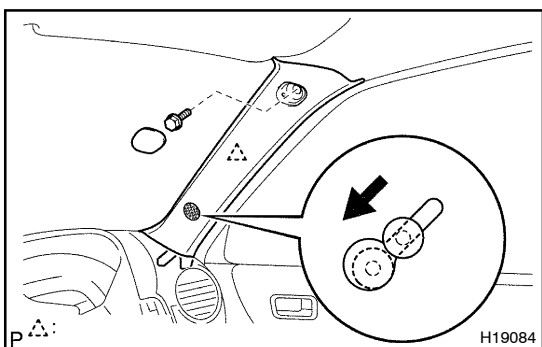
11. REMOVE ROOF SIDE INNER GARNISH

- (a) Using a screwdriver, remove the roof side inner garnish.

HINT:

Tape the screwdriver tip before use.

- (b) Employ the same manner described above to the other side.



12. REMOVE FRONT PILLAR GARNISH

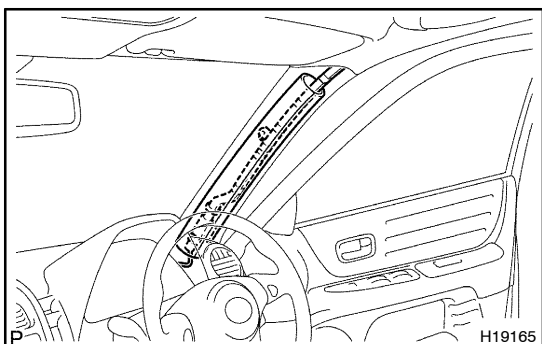
- (a) Using a screwdriver, remove the front pillar garnish cover.

HINT:

Tape the screwdriver tip before use.

- (b) Remove the bolt.

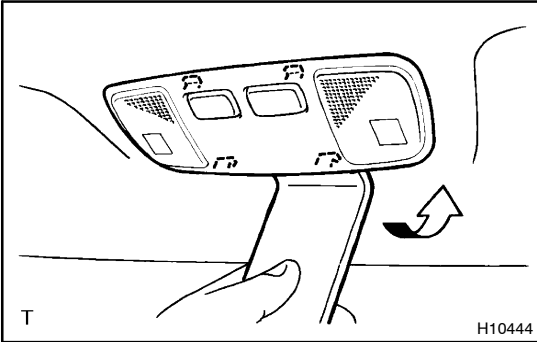
- (c) Using a screwdriver, remove the front pillar garnish.



- (d) Remove the bolt.

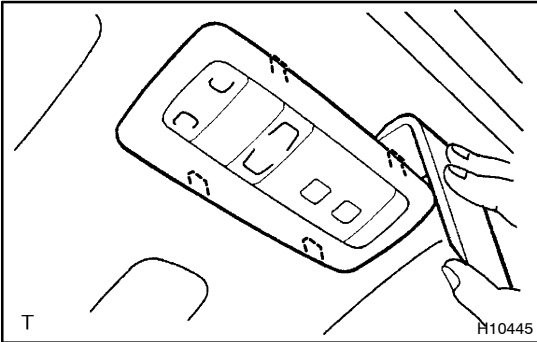
- (e) Pack the airbag with protection cover.

- (f) Employ the same manner described above to the other side.



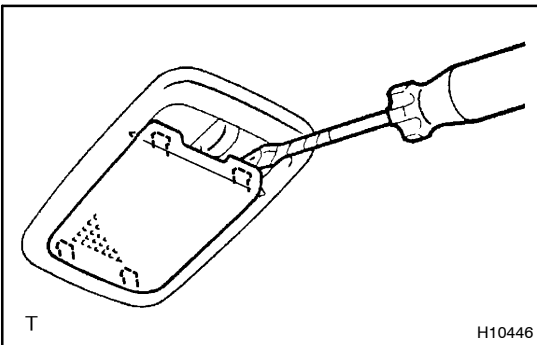
**13. w/o Sliding roof:
REMOVE MAP LIGHT ASSEMBLY**

- (a) Using a moulding remover, remove the lens.
- (b) Remove the 2 screws and the map light assembly.
- (c) Disconnect the connector.



**14. w/ Sliding roof:
REMOVE MAP LIGHT ASSEMBLY**

- (a) Using a moulding remover, remove the cover.
- (b) Remove the 2 screws and the the map light assembly.
- (c) Disconnect the connector.



15. REMOVE ROOM LIGHT ASSEMBLY

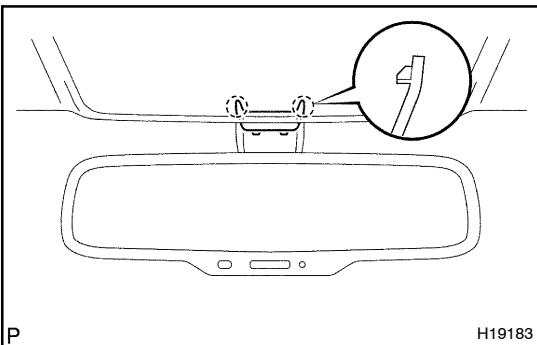
- (a) Using a screwdriver, remove the lens.

HINT:

Tape the screwdriver tip before use.

- (b) Remove the 2 screws and the room light assembly.
- (c) Disconnect the connector.

**16. w/ Sliding roof:
REMOVE ROOF OPENING TRIM**

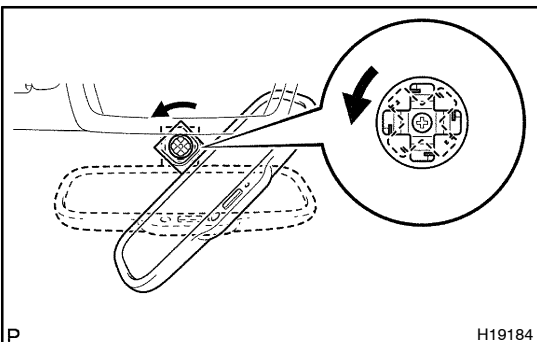


17. REMOVE INNER REAR VIEW MIRROR

- (a) Using a screwdriver, remove the inner rear view mirror stay holder cover.

HINT:

Tape the screwdriver tip before use.



- (b) Electro chromic inner mirror:
Disconnect the connector.
- (c) Remove the mirror assembly by turning the stay part of the mirror counterclockwise.

18. REMOVE ASSIST GRIPS

- (a) Using a screwdriver, remove the caps.

HINT:

Tape the screwdriver tip before use.

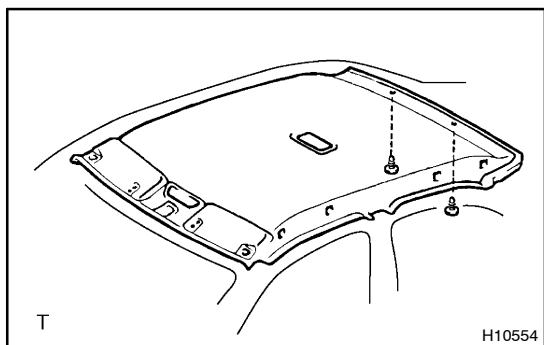
- (b) Remove the 6 bolts and 3 assist grips.

19. REMOVE SUN VISORS

- (a) Remove the 4 screws and pull the sun visors downward.
- (b) Disconnect the connectors.

20. REMOVE SUN VISOR HOLDERS

Remove the 2 screws and 2 holders.

**21. REMOVE ROOF HEADLINING**

- (a) Remove the 2 clips.
- (b) Pull the roof headlining downward to remove it.