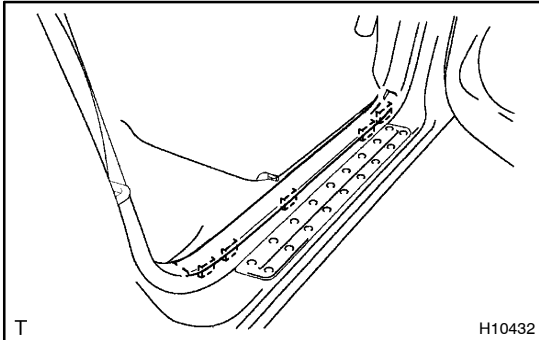


REMOVAL

1. REMOVE REAR SEAT CUSHION (See page BO-112)
2. REMOVE SIDE SEATBACK (See page BO-112)



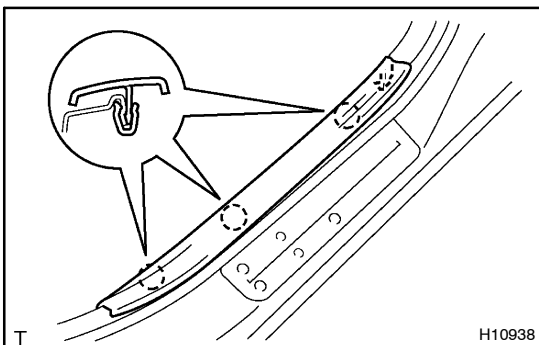
3. REMOVE FRONT DOOR INSIDE SCUFF PLATE

- (a) Using a screwdriver, remove the front door inside scuff plate as shown in the illustration.

HINT:

Tape the screwdriver tip before use.

- (b) Employ the same manner described above to the other side.



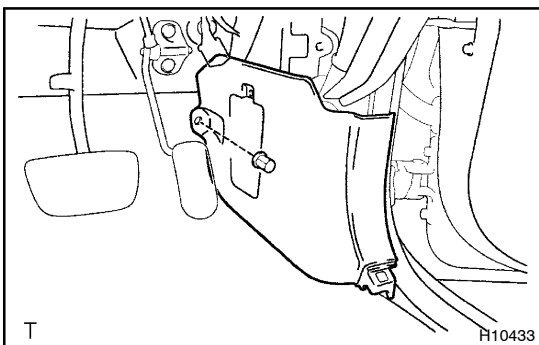
4. REMOVE REAR DOOR INSIDE SCUFF PLATE

- (a) Using a screwdriver, remove the rear door inside scuff plate as shown in the illustration.

HINT:

Tape the screwdriver tip before use.

- (b) Employ the same manner described above to the other side.

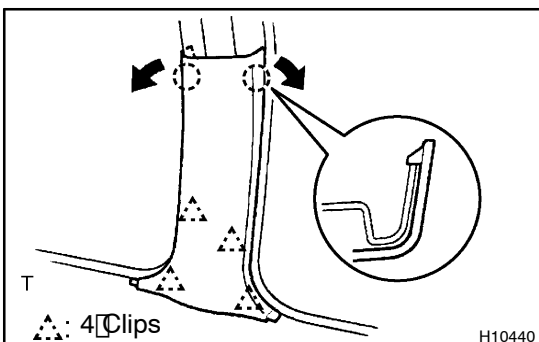


5. REMOVE COWL SIDE TRIM BOARD

- (a) Remove the clip and cowl side trim board.
- (b) Employ the same manner described above to the other side.

6. REMOVE FRONT DOOR OPENING TRIMS

7. REMOVE REAR DOOR OPENING TRIMS



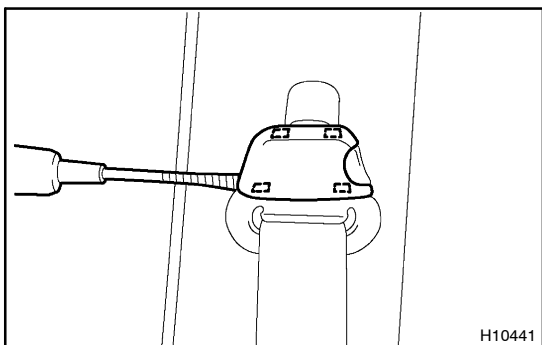
8. REMOVE CENTER PILLAR LOWER GARNISH

- (a) Using a screwdriver, remove the center pillar lower garnish.

HINT:

Tape the screwdriver tip before use.

- (b) Employ the same manner described above to the other side.



9. REMOVE FRONT SEAT OUTER BELT SHOULDER ANCHOR

- (a) Using a screwdriver, remove the anchor cap.

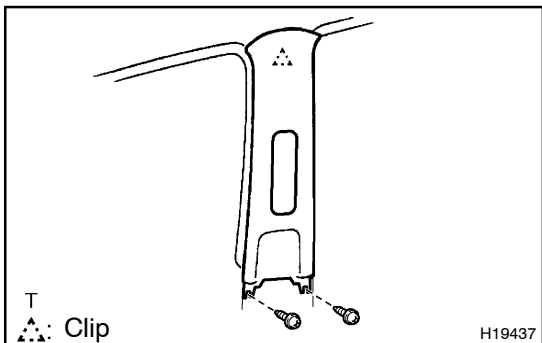
HINT:

Tape the screwdriver tip before use.

- (b) Remove the bolt and front seat outer belt shoulder anchor.

Torque: 42 N·m (428 kgf·cm, 31 ft·lbf)

- (c) Employ the same manner described above to the other side.



10. REMOVE CENTER PILLAR GARNISH

- (a) Remove the 2 screws.

- (b) Using a screwdriver, remove the center pillar garnish.

HINT:

Tape the screwdriver tip before use.

- (c) Employ the same manner described above to the other side.

11. REMOVE REAR SEAT CUSHION (See page BO-112)

12. REMOVE REAR SIDE SEAT BACK (See page BO-112)

13. REMOVE REAR SEAT FLOOR BOARD NO. 4

- (a) Remove the seat back board carpets.

- (b) Remove the 2 bolts and rear floor board.

14. REMOVE DECK FLOOR BOX FRONT

- (a) Remove the 2 bolts and the 2 rope hook assemblies.

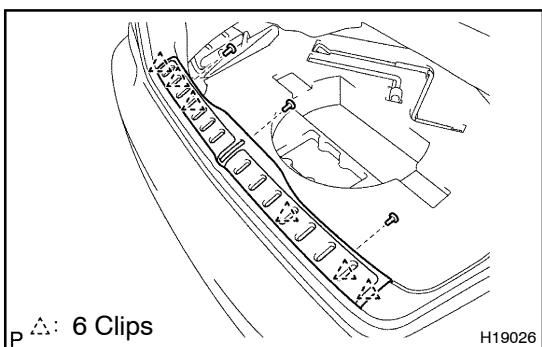
- (b) Remove the deck floor box.

15. REMOVE DECK BOARD NO. 2

16. REMOVE REAR FLOOR BOARD NO. 2

17. REMOVE REAR FLOOR BOARD NO. 3

18. REMOVE TONNEAU COVER ASSEMBLY



19. REMOVE REAR FLOOR FINISH PLATE

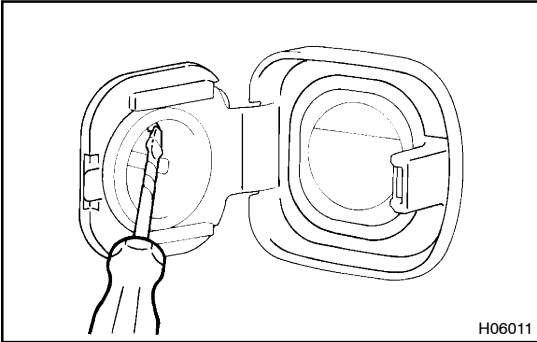
- (a) Remove the 2 bolts and 2 rope hook assemblies.

- (b) Remove the 3 clips.

- (c) Using a screwdriver, remove the rear floor finish plate.

HINT:

Tape the screwdriver tip before use.

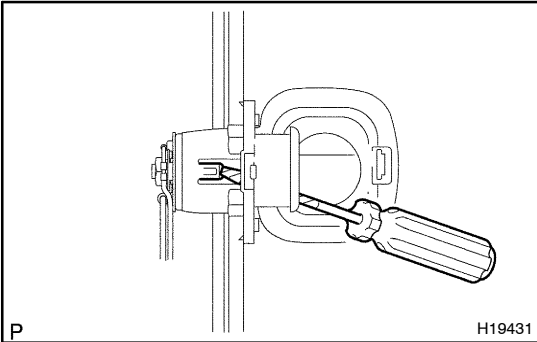


**20. RH side:
REMOVE ACCESSORY SOCKET**

- (a) Using a screwdriver, disengage the claw on the accessory socket cover from the hole in the accessory socket, then pull out the accessory socket approx. 15 mm (0.59 in.).

HINT:

Tape the screwdriver tip before use.

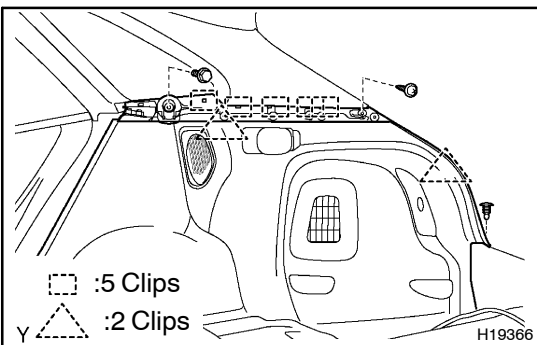


- (b) Using a screwdriver, disengage the claw on the accessory socket cover from the body and remove the accessory socket and cover as a unit.

HINT:

Tape the screwdriver tip before use.

- (c) Disconnect the connector.
(d) Disassemble the accessory socket from the socket cover.



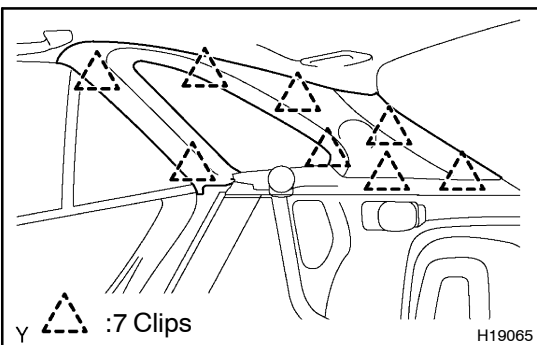
21. REMOVE DECK TRIM SIDE PANEL ASSEMBLY

- (a) Remove the 2 bolts and 2 floor hooks.
(b) Remove the screw, bolt and clip.
(c) Using a screwdriver, remove the deck trim side panel assembly then disconnect the connector.

HINT:

Tape the screwdriver tip before use.

- (d) Employ the same manner described above to the other side.



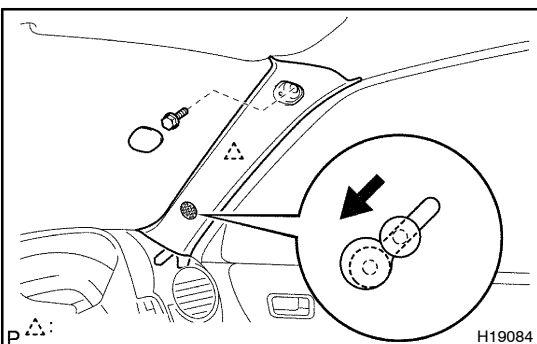
22. REMOVE ROOF SIDE INNER GARNISH

- (a) Using a screwdriver, remove the roof side inner garnish.

HINT:

Tape the screwdriver tip before use.

- (b) Employ the same manner described above to the other side.



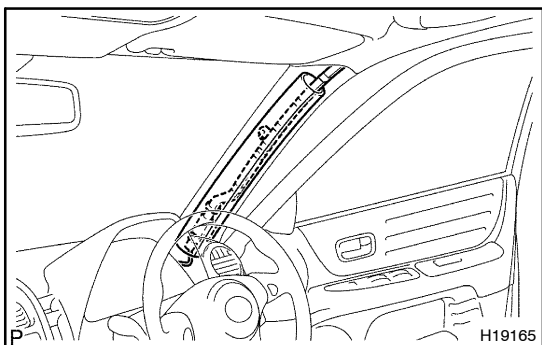
23. REMOVE FRONT PILLAR GARNISH

- (a) Using a screwdriver, remove the front pillar garnish cover.

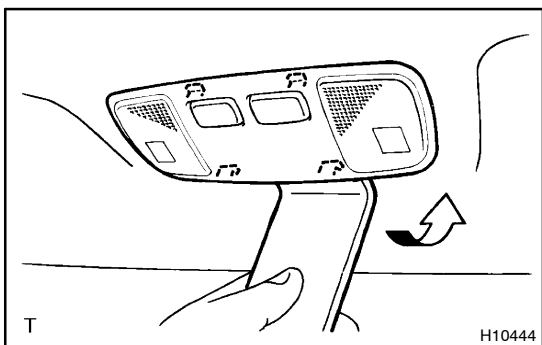
HINT:

Tape the screwdriver tip before use.

- (b) Remove the bolt.
(c) Using a screwdriver, remove the front pillar garnish.

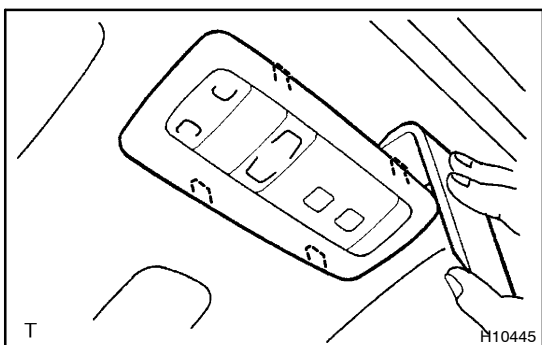


- (d) Remove the bolt.
- (e) Pack the airbag with protection cover.
- (f) Employ the same manner described above to the other side.



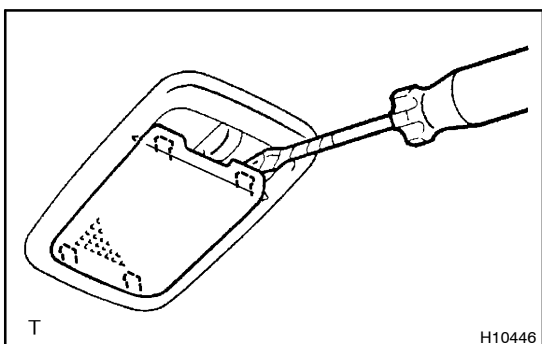
**24. w/o Sliding roof:
REMOVE MAP LIGHT ASSEMBLY**

- (a) Using a moulding remover, remove the lens.
- (b) Remove the 2 screws and map light assembly.
- (c) Disconnect the connector.



**25. w/ Sliding roof:
REMOVE MAP LIGHT ASSEMBLY**

- (a) Using a moulding remover, remove the cover.
- (b) Remove the 2 screws and the map light assembly.
- (c) Disconnect the connector.



26. REMOVE ROOM LIGHT ASSEMBLY

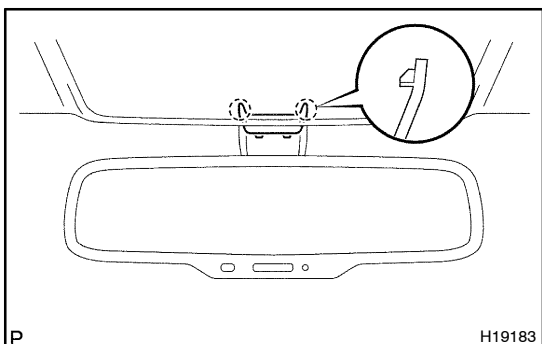
- (a) Using a screwdriver, remove the lens.

HINT:

Tape the screwdriver tip before use.

- (b) Remove the 2 screws and the room light assembly.
- (c) Disconnect the connector.

**27. w/ Sliding Roof:
REMOVE SLIDING ROOF OPENING TRIM**

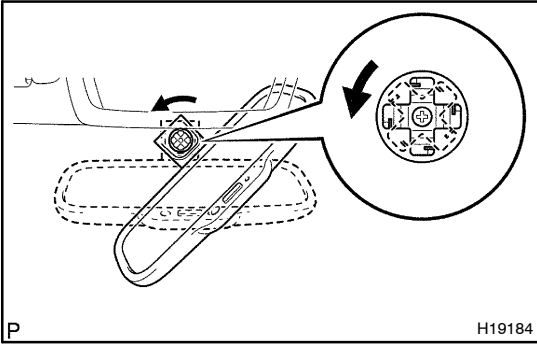


28. REMOVE INNER REAR VIEW MIRROR

- (a) Using a screwdriver, remove the inner rear view mirror stay holder cover.

HINT:

Tape the screwdriver tip before use.



- (b) Electro chromic inner mirror:
Disconnect the connector.
- (c) Remove the mirror assembly by turning the stay part of the mirror counterclockwise.

29. REMOVE ASSIST GRIPS

- (a) Using a screwdriver, remove the caps.

HINT:

Tape the screwdriver tip before use.

- (b) Remove the 6 bolts and 3 assist grips.

30. REMOVE SUN VISORS

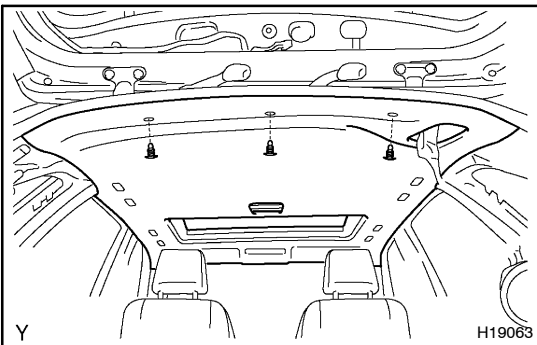
- (a) Remove the 4 screws and pull the sun visors downward.
- (b) Disconnect the connectors.

31. REMOVE SUN VISOR HOLDERS

Remove the 2 screws and 2 holders.

32. REMOVE SHOULDER BELT ANCHOR COVER UPPER

Remove the 2 screws and shoulder belt anchor cover upper.



33. REMOVE ROOF HEADLINING

- (a) Remove the 3 clips.
- (b) Pull the roof headlining downward to remove it.