

## DISASSEMBLY

### 1. REMOVE HEADREST

### 2. REMOVE VERTICAL ADJUSTER KNOBS

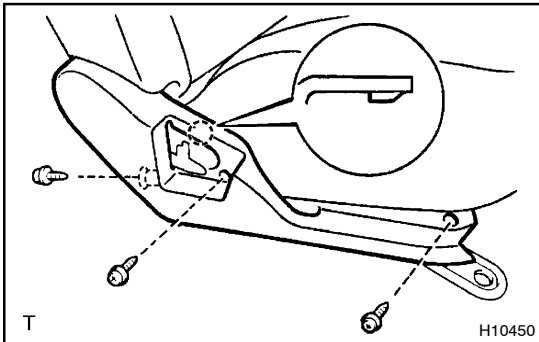
Using a screwdriver, remove the 2 clips and 2 vertical adjuster knobs.

HINT:

Tape the screwdriver tip before use.

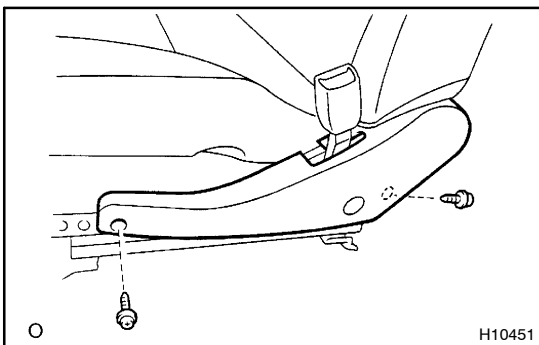
### 3. REMOVE RECLINING ADJUSTER RELEASE HANDLE

Remove the screw and reclining adjuster release handle.



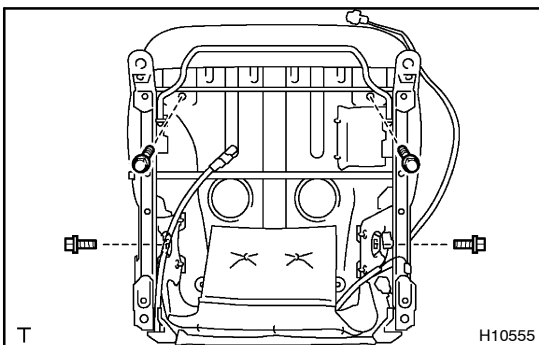
### 4. REMOVE FRONT SEAT CUSHION OUTER SHIELD

Remove the 3 screws and front seat cushion outer shield.



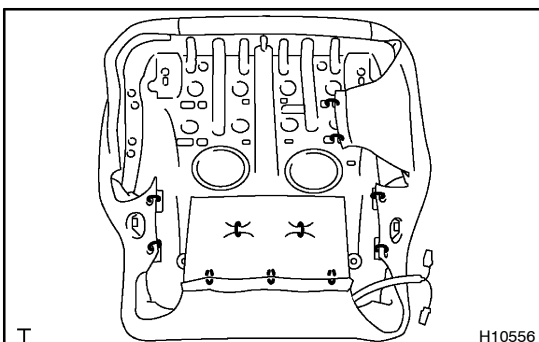
### 5. REMOVE FRONT SEAT CUSHION INNER SHIELD

Remove the 2 screws and front seat cushion inner shield.



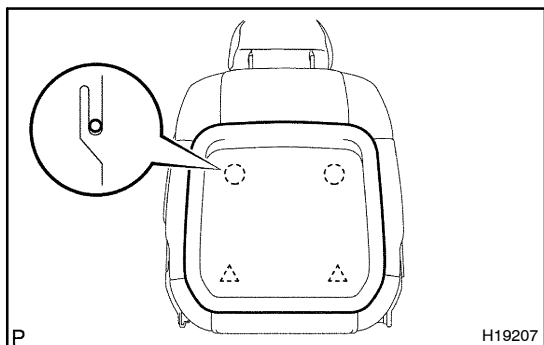
### 6. REMOVE SEAT CUSHION ASSEMBLY

- Unlatch the side airbag assembly wire harness clamps.
- Disengage the wire harness clamp.
- Remove the 4 bolts and the seat cushion assembly.



### 7. REMOVE SEAT CUSHION COVER

- Remove the hog rings.
- Unlatch the seat cushion cover hooks and remove the seat cushion frame from the seat cushion cover with pad.
- Remove the hog rings and seat cushion cover from the seat cushion pad.



**8. w/ Table:  
REMOVE SEATBACK BOARD**

Using a screwdriver, remove the seatback board.

**HINT:**

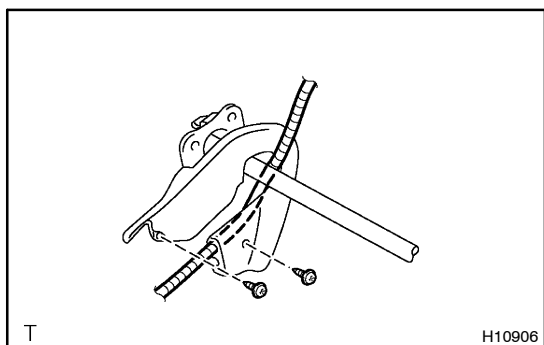
Tape the screwdriver tip before use.

**9. REMOVE SEATBACK ASSEMBLY**

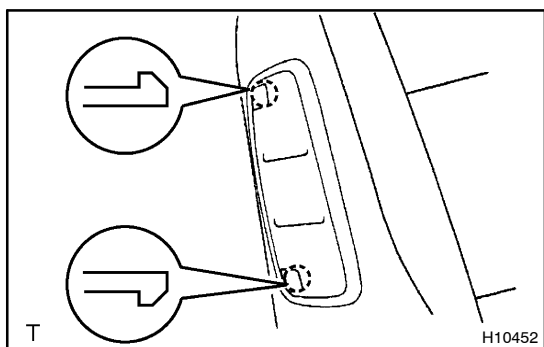
- (a) Remove the hog rings.
- (b) Turn the seatback cover over, then remove the hog rings.
- (c) Remove the 4 seatback assembly set bolts.

**NOTICE:**

**Be careful not to pull the side airbag assembly wire harness.**



- (d) Remove the 2 screws and reclining adjuster inside cover and employ the same manner described above to the other side.
- (e) Disengage the side airbag assembly wire harness from the reclining adjuster inside covers, then remove the seatback assembly.

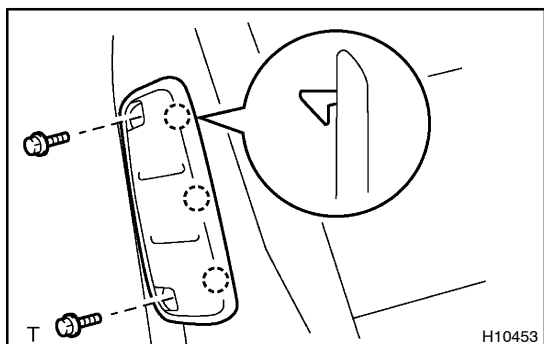


**10. REMOVE SEATBACK COVER**

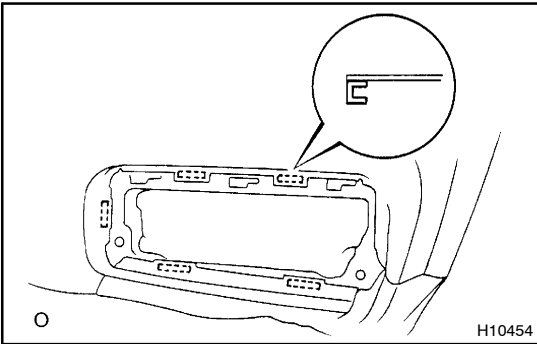
- (a) Using a screwdriver, remove the No.1 and No.2 airbag covers.

**HINT:**

Tape the screwdriver tip before use.



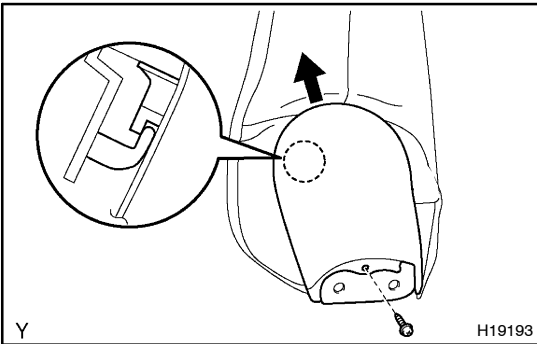
- (b) Remove the 2 bolts.
- (c) Slide the airbag door upward to remove it.



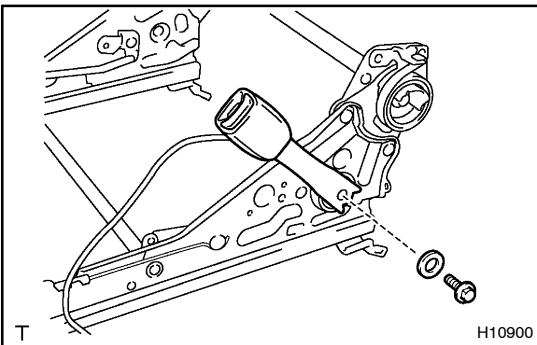
- (d) Unlatch the seatback cover hooks circumference of the side airbag assembly.
- (e) w/ Table:  
Using a screwdriver, remove the reclining adjuster release handle and employ the same manner described above to the other side.

HINT:

Tape the screwdriver tip before use.



- (f) w/ Table:  
Remove the screw and front seatback shield, and employ the same manner described above to the other side.
- (g) w/ Table:  
Remove the 2 bolts and front seatback lock, and employ the same manner described above to the other side.
- (h) Remove the hog rings, headrest supports and seatback cover.



#### 11. REMOVE FRONT SEAT INNER BELT

Remove the bolt, washer and front seat inner belt.

#### 12. REMOVE SEAT TRACK HANDLE

Using a screwdriver, remove the seat track handle.

HINT:

Tape the screwdriver tip before use.

#### 13. REMOVE RECLINING ADJUSTER ROD ASSEMBLY

Remove the 4 nuts and the reclining adjuster rod assembly.

#### 14. DISASSEMBLE OUTER TRACK AND INNER TRACK

Using a screwdriver, remove the 2 E-rings from the outer side on the inner track.

HINT:

Tape the screwdriver tip before use.