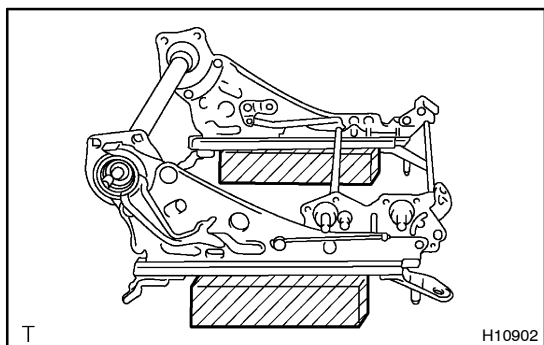


## REASSEMBLY

### 1. ASSEMBLE OUTER TRACK AND INNER TRACK

Assemble the outer track and inner track with 2 new E-rings.



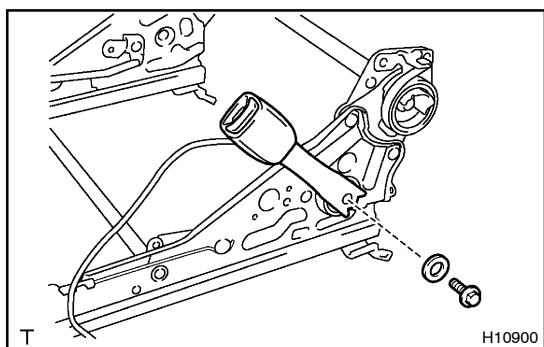
### 2. INSTALL RECLINING ADJUSTER ROD ASSEMBLY

- (a) Adjust the reclining lock positions of the seat adjusters.
- (b) Slide the seat adjusters to the most front position.
- (c) Place the adjusters on a spacer to adjust the seat rails in parallel and install the reclining adjuster rod assembly with the 4 nuts.

#### HINT:

When installing the connecting pipe while raising up the adjusters, the lock positions adjusted in 2 - (a) step slip off then lock error will occur.

### 3. INSTALL SEAT TRACK HANDLE



### 4. INSTALL FRONT SEAT INNER BELT

Install the front seat inner belt with the washer and bolt.

**Torque: 42 N·m (428 kgf·cm, 31 ft·lbf)**

### 5. INSTALL SEATBACK COVER

- (a) Install the seatback cover with new hog rings.

#### HINT:

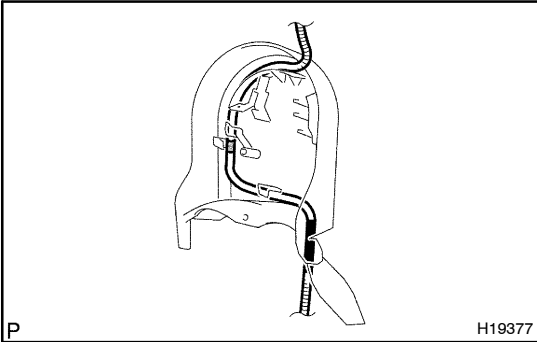
When installing the hog rings, take care to prevent wrinkles as little as possible.

- (b) Install the 2 headrest supports.

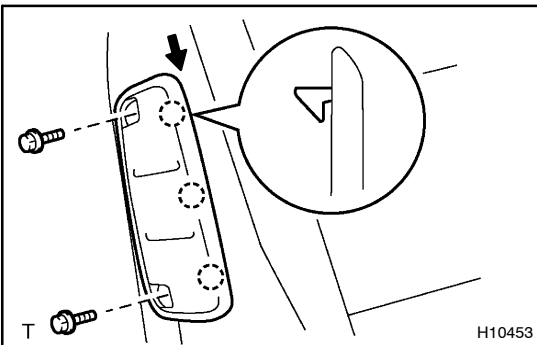
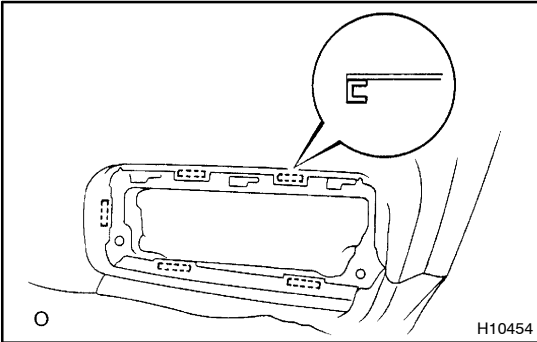
- (c) w/ Table:

Install the front seatback lock with the 2 bolts and employ the same manner described above to the other side.

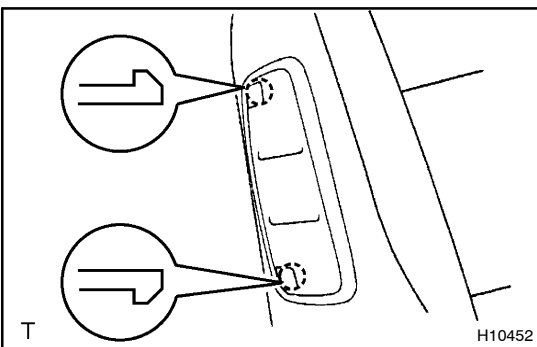
**Torque: 43 N·m (440 kgf·cm, 32 ft·lbf)**



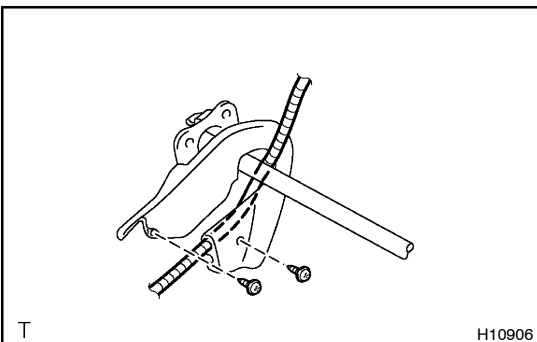
- (d) w/ Table:  
Set the side airbag assembly wire harness to the front seat back shield.
- (e) w/ Table:  
Install the front seatback shield with the screw and employ the same manner described above to the other side.
- (f) w/ Table:  
Install the reclining adjuster release handle and employ the same manner described above to the other side.
- (g) Hook the seatback cover hooks through the holes in the circumference of the side airbag assembly.



- (h) Slide the airbag door downward to install it.
- (i) Install the 2 bolts.



- (j) Install the No.1 and No.2 airbag covers.



## 6. INSTALL SEATBACK ASSEMBLY

### NOTICE:

**Never use the seatback assembly from another vehicle.  
When replacing parts, replace them with new parts.**

- (a) Set the side airbag assembly wire harness to the reclining adjuster inside covers.
- (b) Install the reclining adjuster inside cover with the 2 screws and employ the same manner described above to the other side.

- (c) Install the seatback assembly with the 4 bolts.

**Torque: 43 N·m (440 kgf·cm, 32 ft·lbf)**

- (d) Turn the seatback cover over, then install new hog rings.

HINT:

When installing the hog rings, take care to prevent wrinkles as little as possible.

- (e) Install new hog rings.

HINT:

When installing the hog rings, take care to prevent wrinkles as little as possible.

## 7. w/ Table:

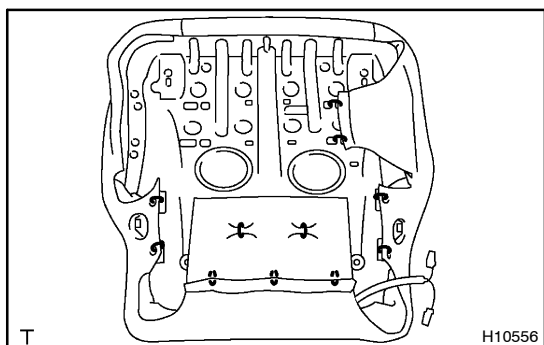
### INSTALL SEATBACK BOARD

## 8. INSTALL SEAT CUSHION COVER

- (a) Install the seat cushion cover with new hog rings to the seat cushion pad.

HINT:

When installing the hog rings, take care to prevent wrinkles as little as possible.

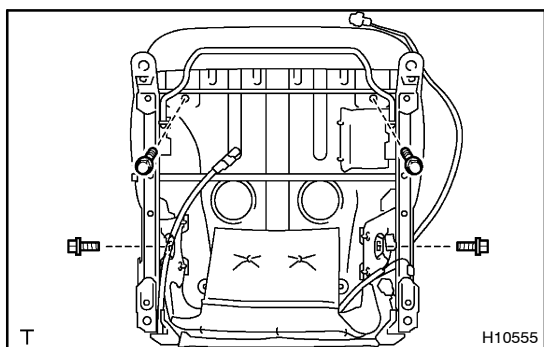


- (b) Latch the seat cushion cover hooks to install the seat cushion cover with pad to the seat cushion pad.

- (c) Install new hog rings.

HINT:

When installing the hog rings, take care to prevent wrinkles as little as possible.



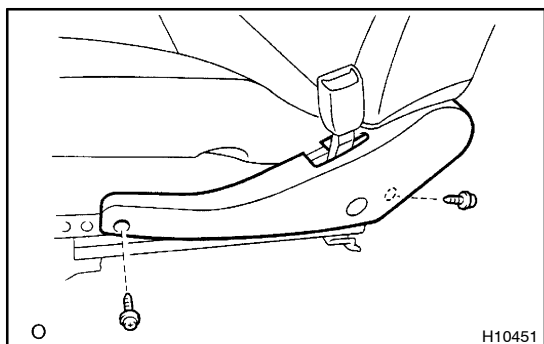
## 9. INSTALL SEAT CUSHION ASSEMBLY

- (a) Install the seat cushion assembly with the 4 bolts.

**Torque: 21 N·m (214 kgf·cm, 15 ft·lbf)**

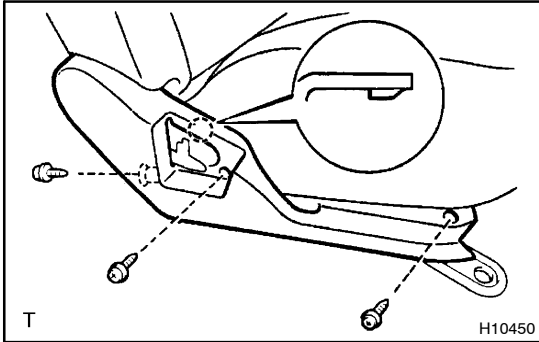
- (b) Attach the wire harness clamps.

- (c) Attach the side airbag assembly wire harness clamps.



## 10. INSTALL FRONT SEAT CUSHION INNER SHIELD

Install the front seat cushion inner shield with the 2 screws.

**11. INSTALL FRONT SEAT CUSHION OUTER SHIELD**

Install the front seat cushion outer shield with the 3 screws.

**12. INSTALL RECLINING ADJUSTER RELEASE HANDLE**

Install the reclining adjuster release handle with the screw.

**13. INSTALL VERTICAL ADJUSTER KNOBS**

Install the 2 vertical adjuster knobs with the 2 clips.

**14. INSTALL HEADREST**