

INSTALLATION

1. INSTALL FRONT SEAT

- (a) Mount the front seat to the vehicle.

NOTICE:

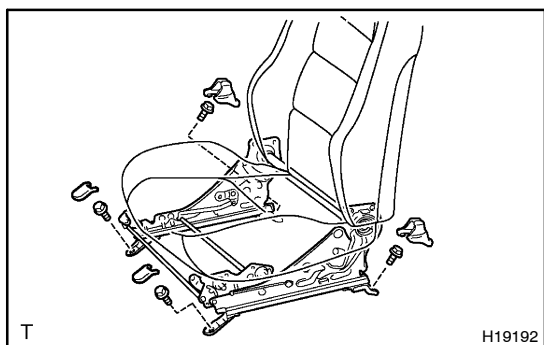
Be careful not to damage the body.

- (b) Connect the connectors.

NOTICE:

When the wiring connector of the side airbag assembly is disconnected and the ignition switch is at ON or ACC position, DTCs will be recorded. To clear DTCs, see page [DI-413](#).

- (c) Slide the front seat to the rearmost position.



- (d) Tighten the bolts on the front side temporarily, starting from the bolt on the inner side tighten them completely.

Torque: 38 N·m (387 kgf·cm, 28 ft·lbf)

- (e) Slide the front seat to the most front position.

- (f) Tighten the bolts on the rear side temporarily, starting from the bolt on the inner side tighten them completely.

Torque: 38 N·m (387 kgf·cm, 28 ft·lbf)

2. INSTALL SEAT TRACK COVERS