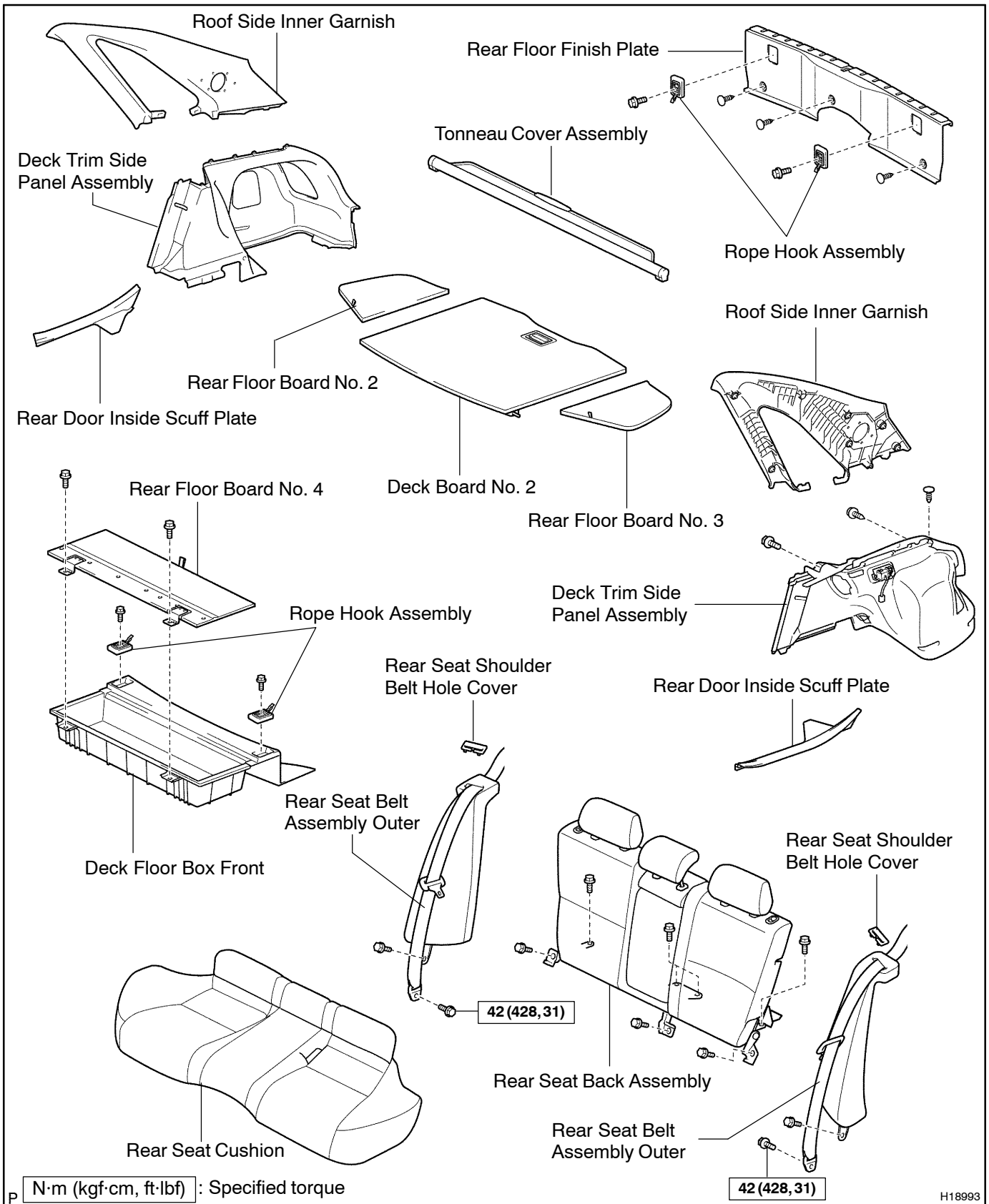


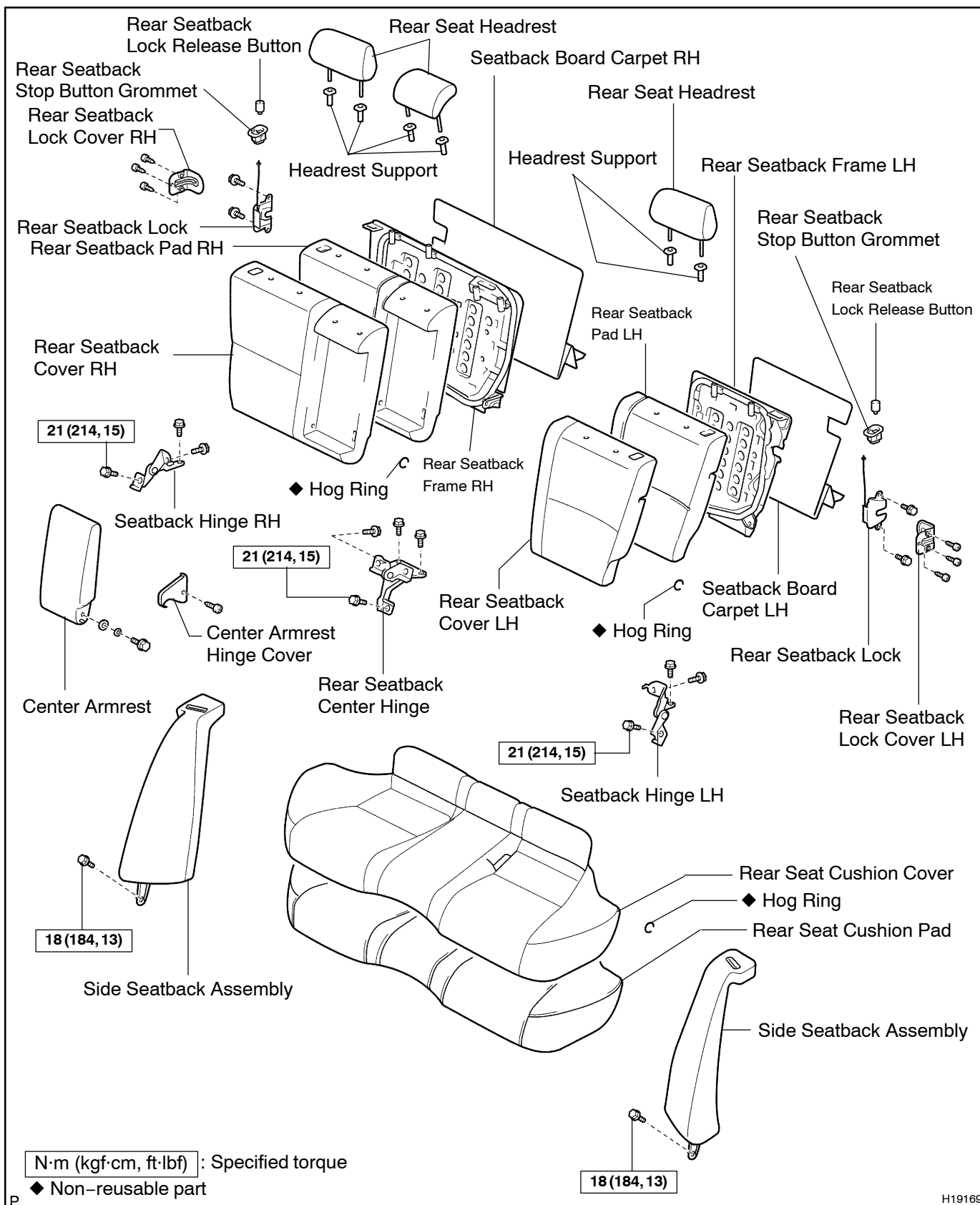
REAR SEAT (Wagon) COMPONENTS

BO4CP-01



H18993

BODY - REAR SEAT (Wagon)



H19169