

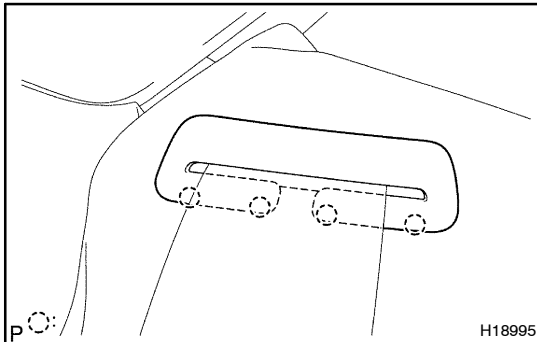
## REMOVAL

### 1. REMOVE SEAT CUSHION ASSEMBLY

Pull up the front portion of the seat cushion assembly, then remove it.

#### NOTICE:

In the case, hold the base of the clip up to prevent the cushion frame from the being distorted.



### 2. REMOVE SIDE SEATBACK ASSEMBLY

(a) Remove the bolt and floor anchor.

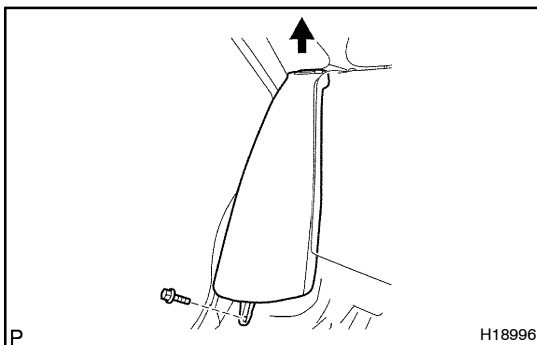
**Torque: 42 N·m (428 kgf·cm, 31 ft·lbf)**

(b) Using a screwdriver, remove the rear seat shoulder belt hole cover.

#### HINT:

Tape the screwdriver tip before use.

(c) Employ the same manner described above to the other sides.



(d) Remove the bolt and the side seat back assembly as shown in the illustration.

**Torque: 18 N·m (184 kgf·cm, 13 ft·lbf)**

### 3. REMOVE REAR SEAT FLOOR BOARD NO. 4

(See [page BO-80](#))

### 4. REMOVE DECK FLOOR BOX FRONT

(See [page BO-80](#))

### 5. REMOVE DECK BOARD NO. 2 (See [page BO-80](#))

### 6. REMOVE REAR FLOOR BOARD NO. 2

(See [page BO-80](#))

### 7. REMOVE REAR FLOOR BOARD NO. 3

(See [page BO-80](#))

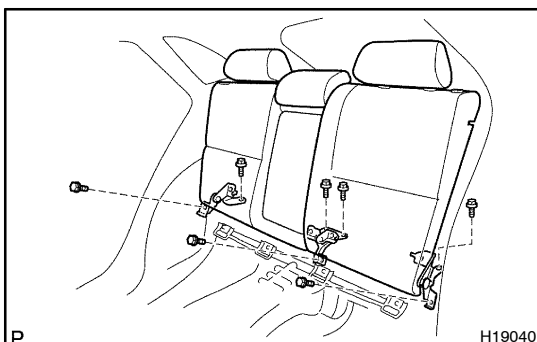
### 8. REMOVE TONNEAU COVER ASSEMBLY

(See [page BO-80](#))

### 9. REMOVE REAR FLOOR FINISH PLATE (See [page BO-80](#))

### 10. REMOVE DECK TRIM SIDE PANEL ASSEMBLY

(See [page BO-80](#))



### 11. REMOVE SEATBACK ASSEMBLY

Remove the 7 bolts and the seatback assembly.

**Torque: 21 N·m (214 kgf·cm, 15 ft·lbf)**