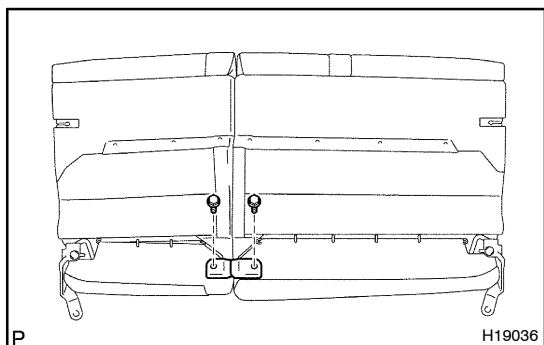
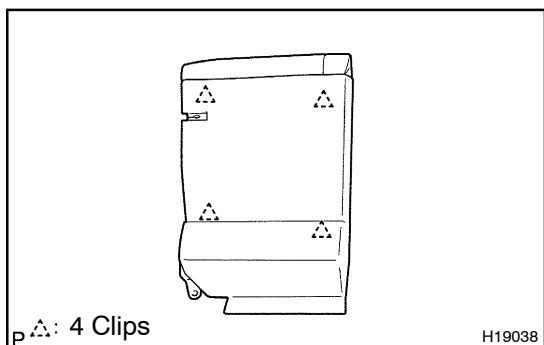


DISASSEMBLY**1. REMOVE REAR SEAT HEADRESTS****2. REMOVE REAR SEATBACK CENTER HINGE**

Remove the 2 bolts and rear seat center hinge.

**3. REMOVE REAR SEATBACK BOARD CARPET LH**

- (a) Remove the 3 screws and rear seatback lock cover LH.
- (b) Using a screwdriver, remove the seatback board carpet LH.

HINT:

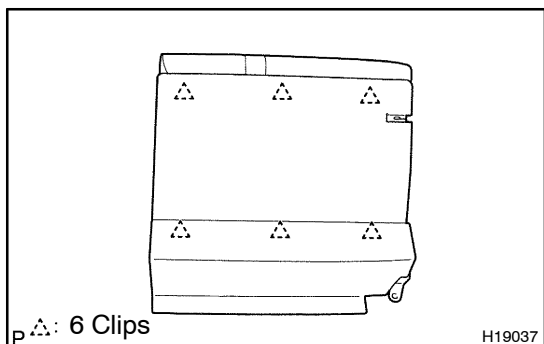
Tape the screwdriver tip before use.

4. REMOVE REAR SEATBACK COVER LH

- (a) Remove the bolt and rear seatback hinge LH.
- (b) Remove the headrest supports.
- (c) Remove the rear back lock release button.
- (d) Remove the rear seatback stop button grommet.
- (e) Remove the hog rings and rear seatback cover with pad.
- (f) Remove the hog rings and rear seatback cover LH from the seatback pad.

5. REMOVE REAR SEATBACK LOCK ASSEMBLY LH

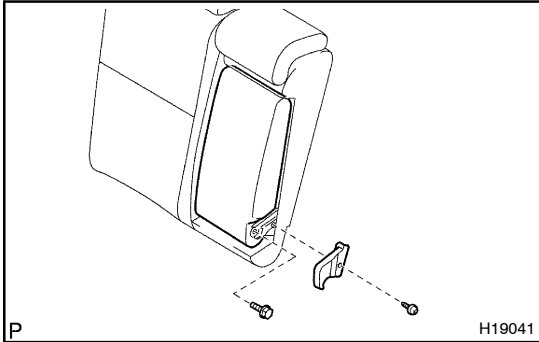
Remove the 2 bolts and the rear seatback lock assembly.

**6. REMOVE REAR SEAT BACK BOARD CARPET RH**

- (a) Remove the 3 screws and rear seatback lock cover.
- (b) Using a screwdriver, remove the rear seatback board carpet.

HINT:

Tape the screwdriver tip before use.

**7. REMOVE CENTER ARMREST**

- (a) Remove the screw and center armrest hinge cover.
- (b) Remove the bolt and center armrest.

8. REMOVE REAR SEATBACK COVER RH

- (a) remove the bolt and rear seatback hinge RH.
- (b) Remove the headrest supports.
- (c) Remove the rear back lock release button.
- (d) Remove the rear seatback stop button grommet.
- (e) Remove the hog rings and rear seatback cover with pad from the seatback frame.
- (f) Remove the hog rings and rear seatback cover RH from the seatback pad.

9. REMOVE REAR SEATBACK LOCK ASSEMBLY RH

Remove the 2 bolts and the rear seatback lock assembly.

10. REMOVE REAR SEAT CUSHION COVER

Remove the hog rings and rear seat cushion cover from the seat cushion pad.