

REASSEMBLY

1. INSTALL REAR SEAT CUSHION COVER

Install the rear seat cushion cover with new hog rings to the front of seat cushion pad.

HINT:

When installing the hog rings, take care to prevent wrinkles as little as possible.

2. INSTALL REAR SEATBACK LOCK ASSEMBLY RH

3. INSTALL REAR SEATBACK COVER RH

(a) Install rear seatback cover with new hog rings to the seat-back pad.

HINT:

When installing the hog rings, take care to prevent wrinkles as little as possible.

(b) Install seatback cover with pad new hog rings to the seat-back frame.

HINT:

When installing the hog rings, take care to prevent wrinkles as little as possible.

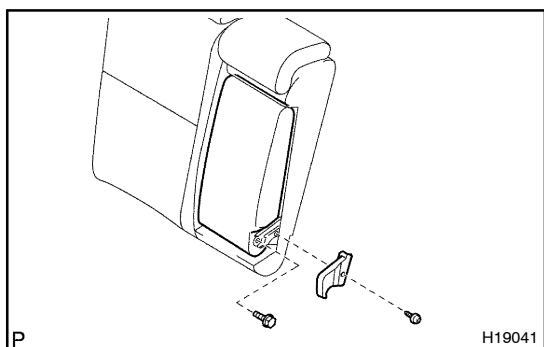
(c) Install the 6 headrest supports.

(d) Install the rear seatback stop button grommet.

(e) Install the rear back lock release button.

(f) Install the bolt and rear seatback hinge RH.

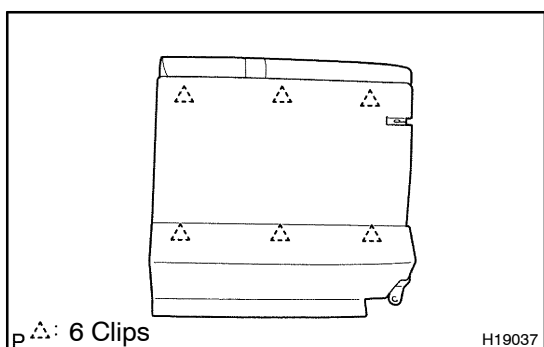
Torque: 21 N·m (214 kgf·cm, 15 ft·lbf)



4. INSTALL CENTER ARMREST

(a) Install the center armrest with the bolt.

(b) Install the center armrest hinge cover with the screw.



5. INSTALL SEATBACK BOARD CARPET RH

(a) Install the seatback board carpet RH.

(b) Install the rear seatback lock cover RH.

6. INSTALL REAR SEATBACK LOCK ASSEMBLY LH

7. INSTALL SEATBACK COVER LH

- (a) Install rear seatback cover with new hog rings to the seatback pad.

HINT:

When installing the hog rings, take care to prevent wrinkles as little as possible.

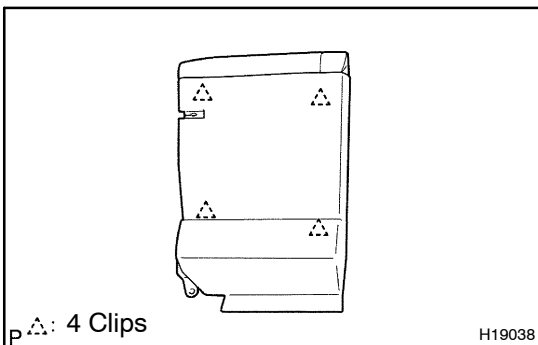
- (b) Install seatback cover with pad new hog rings to the seatback frame.

HINT:

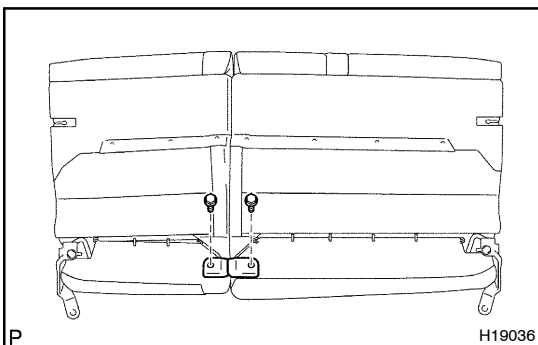
When installing the hog rings, take care to prevent wrinkles as little as possible.

- (c) Install the 6 headrest supports.
 (d) Install the rear seatback stop button grommet.
 (e) Install the rear back lock release button.
 (f) Install the bolt and rear seatback hinge LH.

Torque: 21 N·m (214 kgf·cm, 15 ft·lbf)

**8. REMOVE SEATBACK BOARD CARPET RH**

- (a) Install the seatback board carpet LH.
 (b) Install the rear seatback lock cover LH.

**9. INSTALL REAR SEATBACK CENTER HINGE**

Install the rear seat center hinge with the 2 bolts.

Torque: 21 N·m (214 kgf·cm, 15 ft·lbf)

10. INSTALL REAR SEAT HEADRESTS