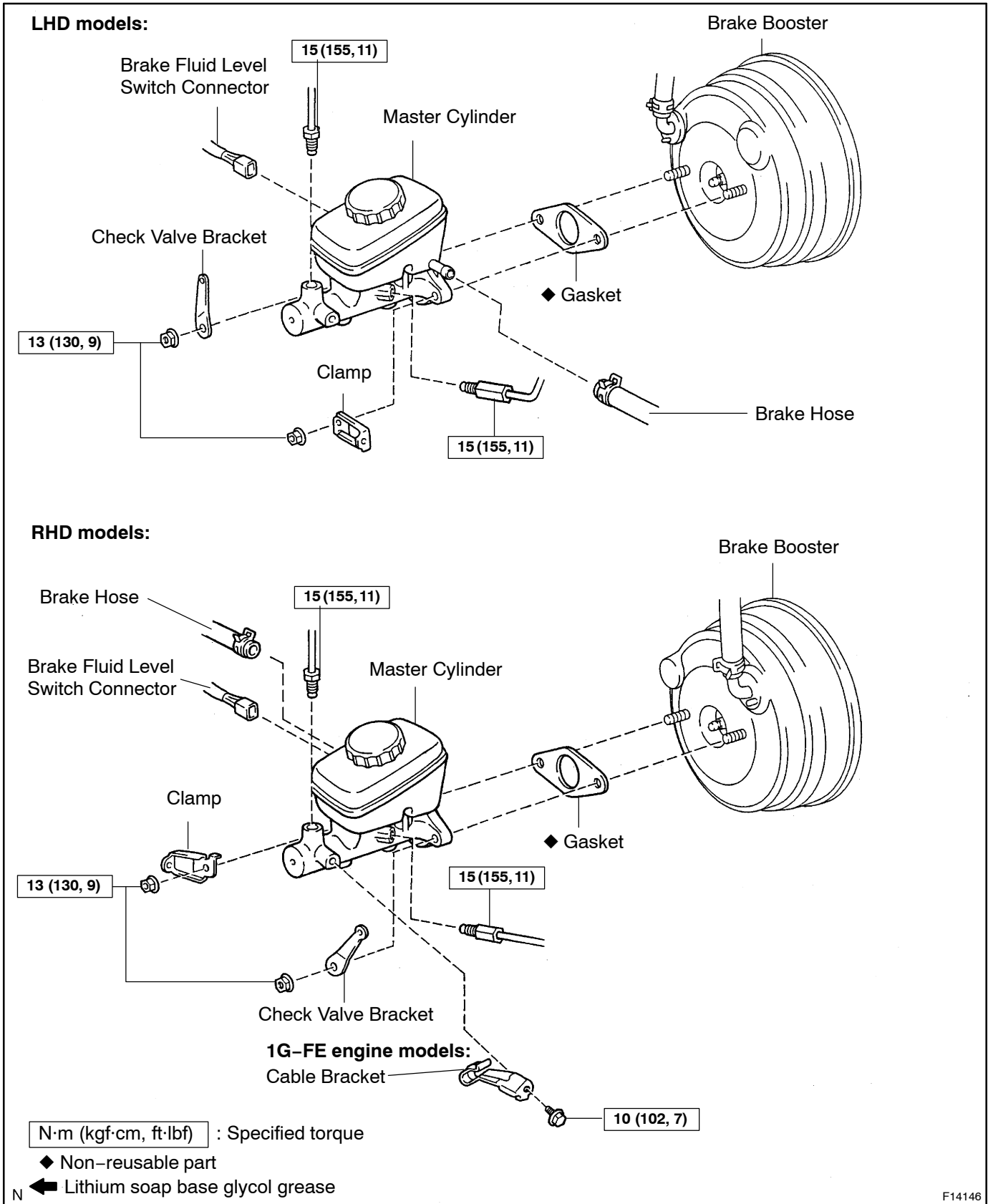
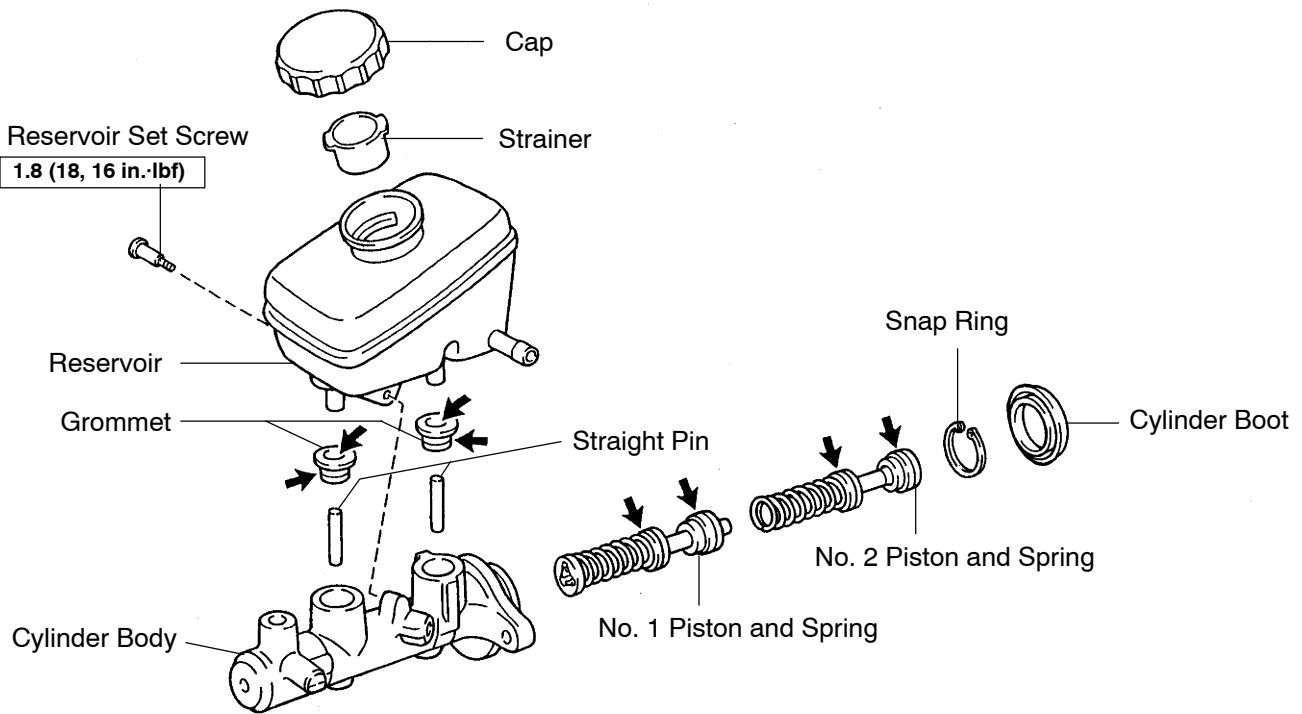


# BRAKE MASTER CYLINDER COMPONENTS

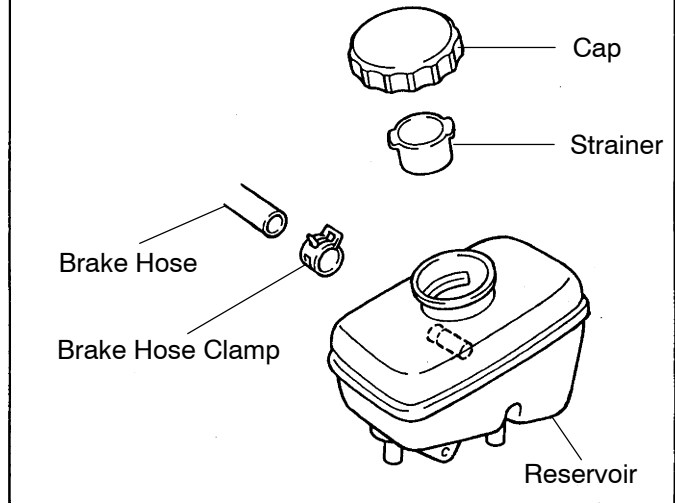
BR1QW-01



**LHD models:**



**RHD models:**



**N·m (kgf·cm, ft·lbf)** : Specified torque

← Lithium soap base glycol grease

N

F14147