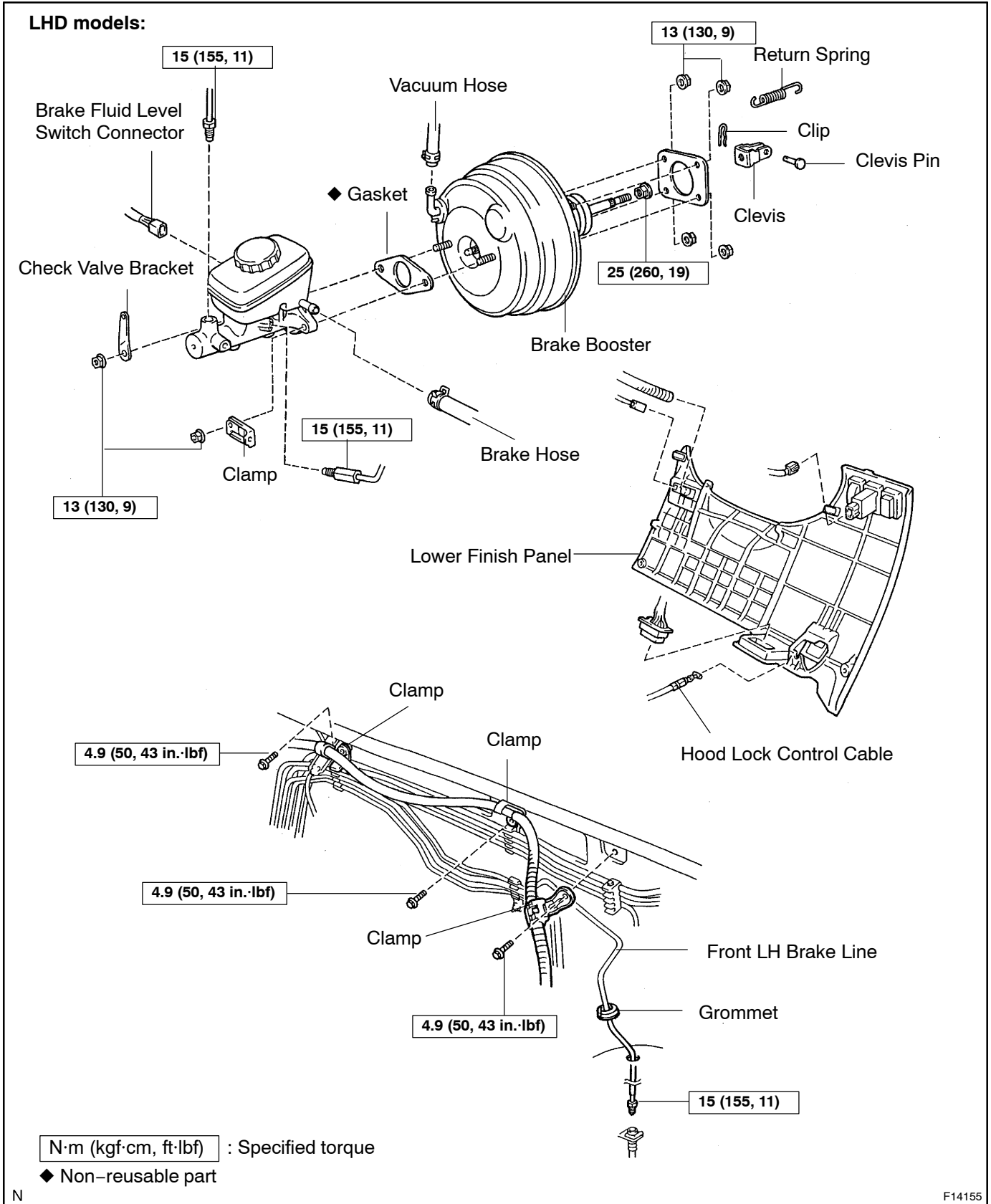
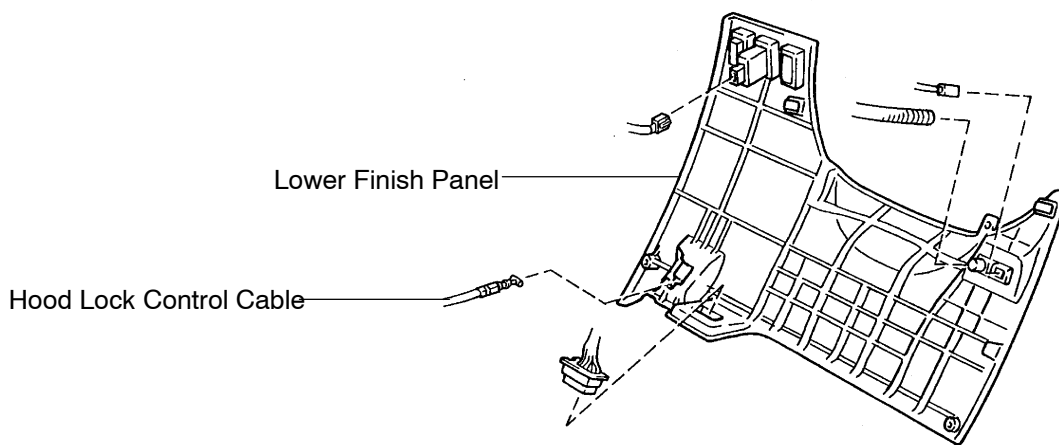
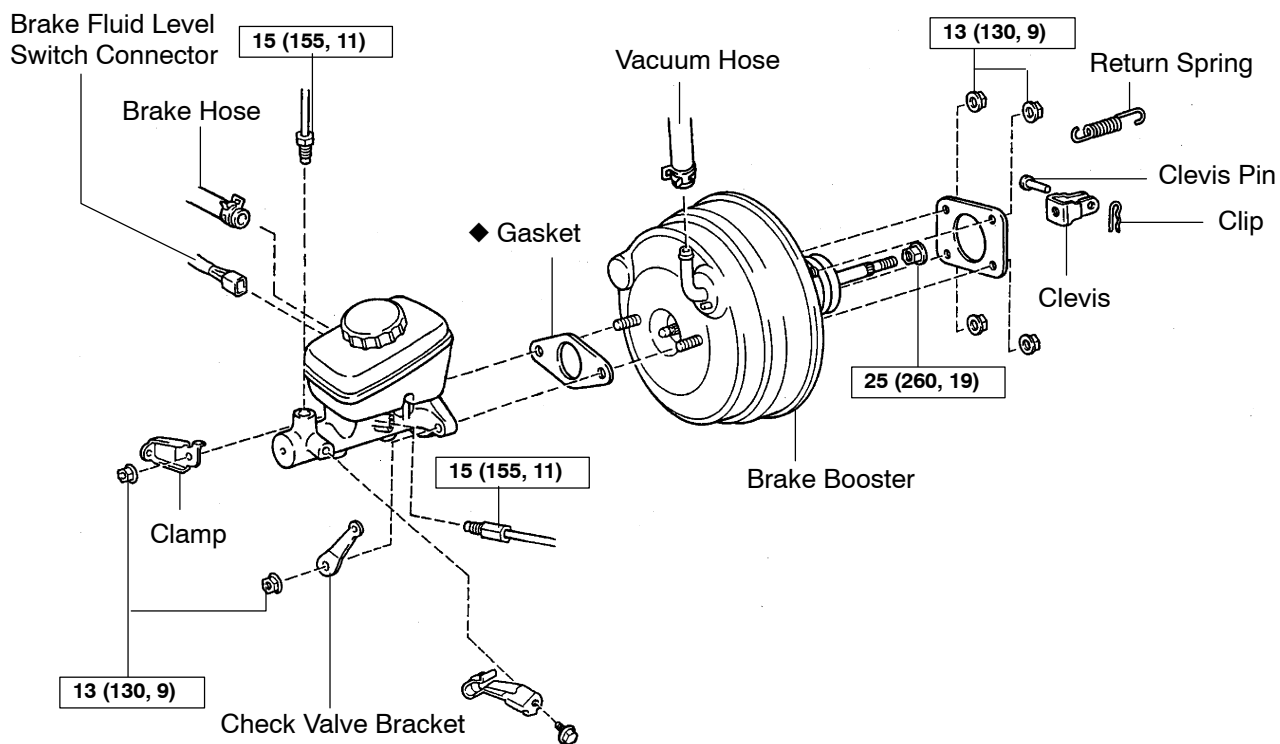


COMPONENTS



RHD models:



N

N·m (kgf·cm, ft·lbf) : Specified torque

◆ Non-reusable part