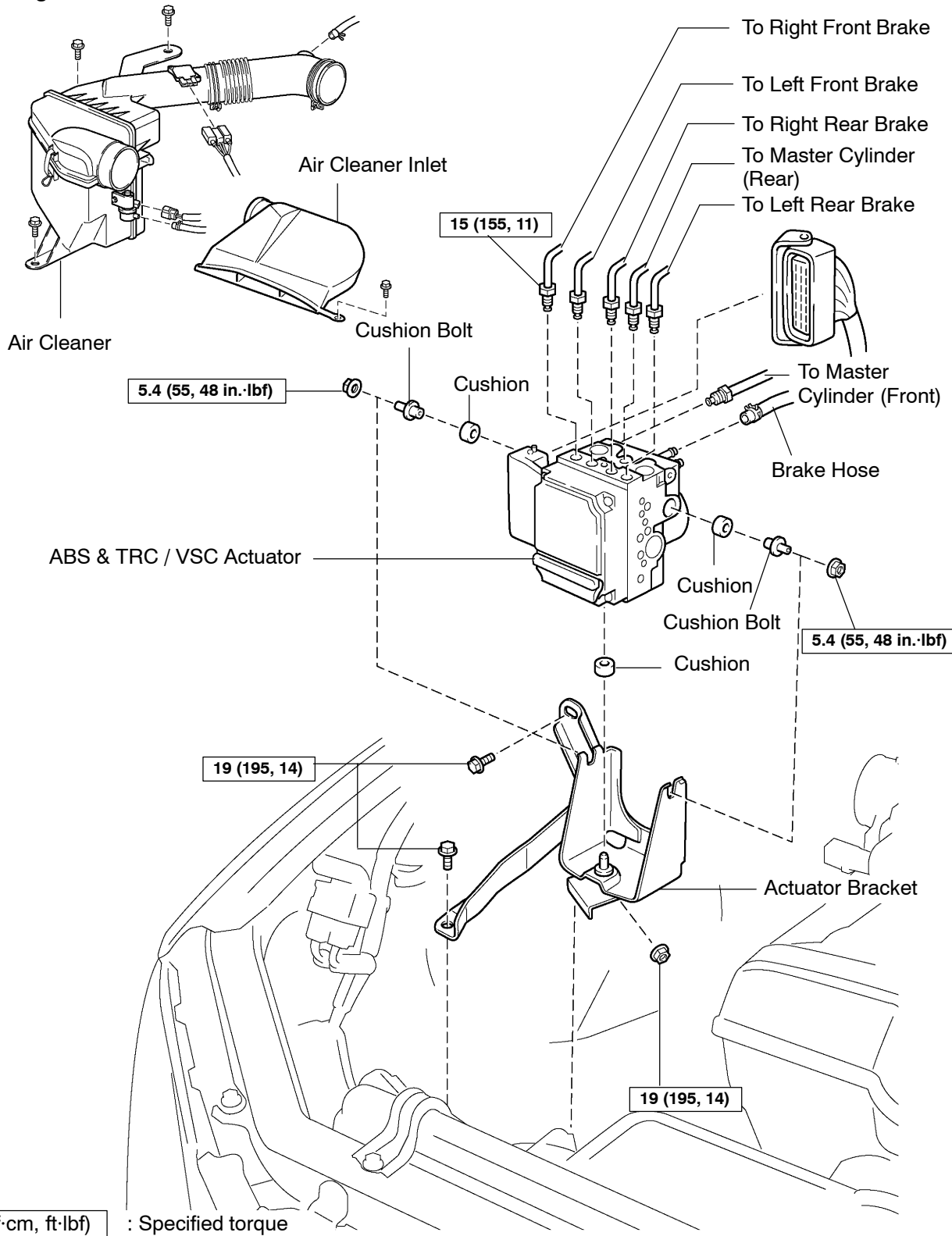


# COMPONENTS

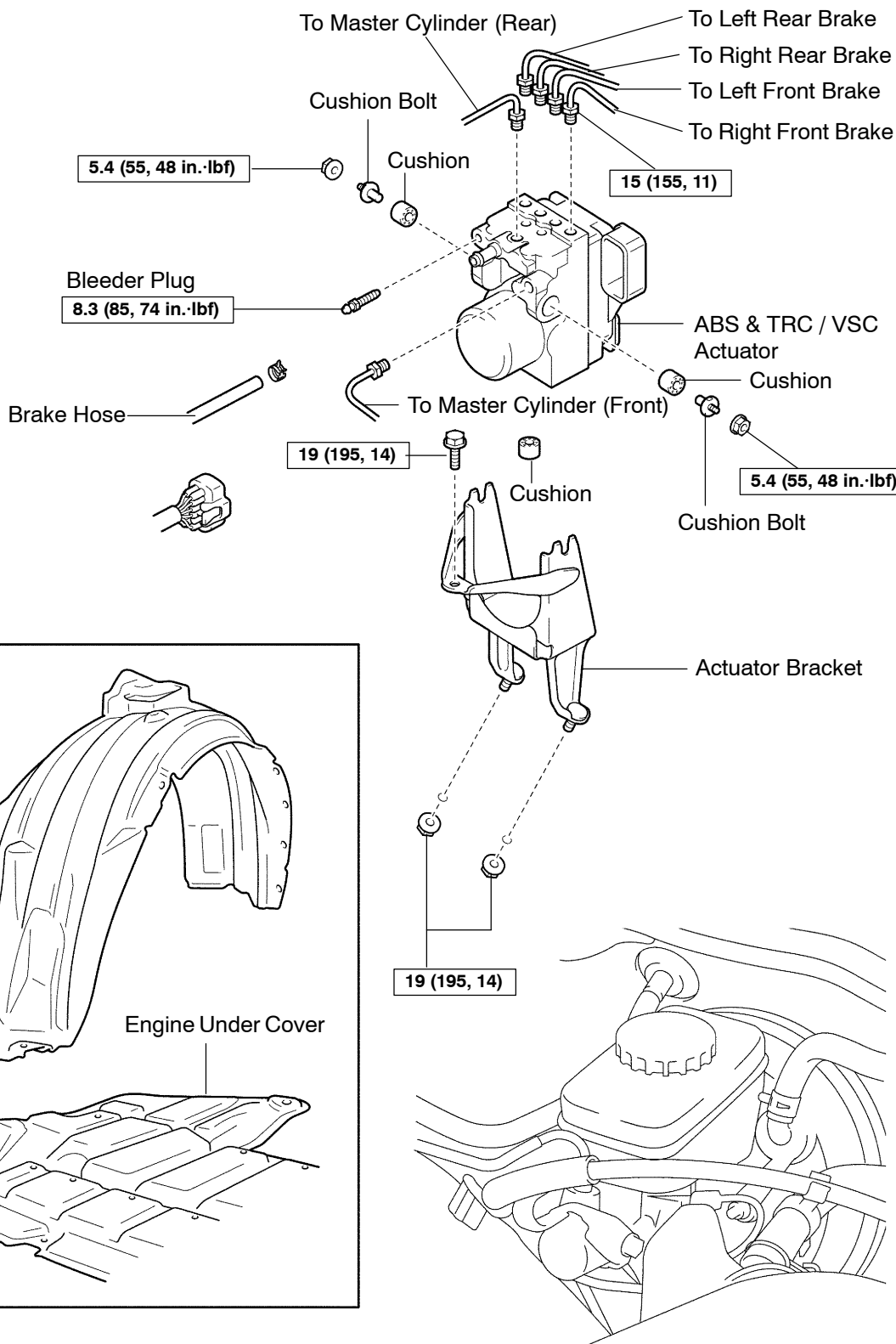
2JZ-GE engine LHD models:



N

F14154

RHD models:

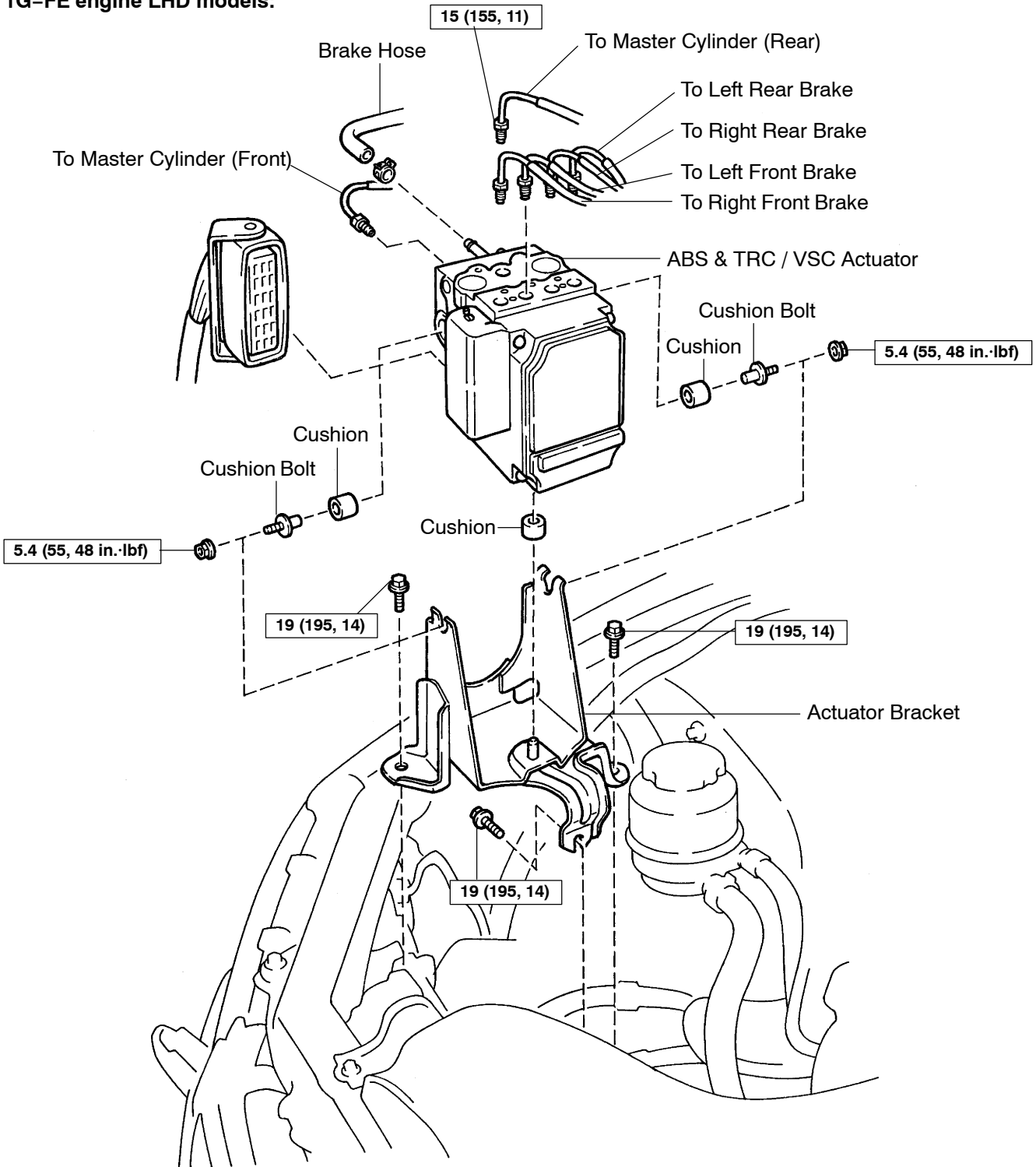


N·m (kgf·cm, ft·lbf) : Specified torque

P

F14152

1G-FE engine LHD models:



N·m (kgf·cm, ft·lbf) : Specified torque

N

F14153