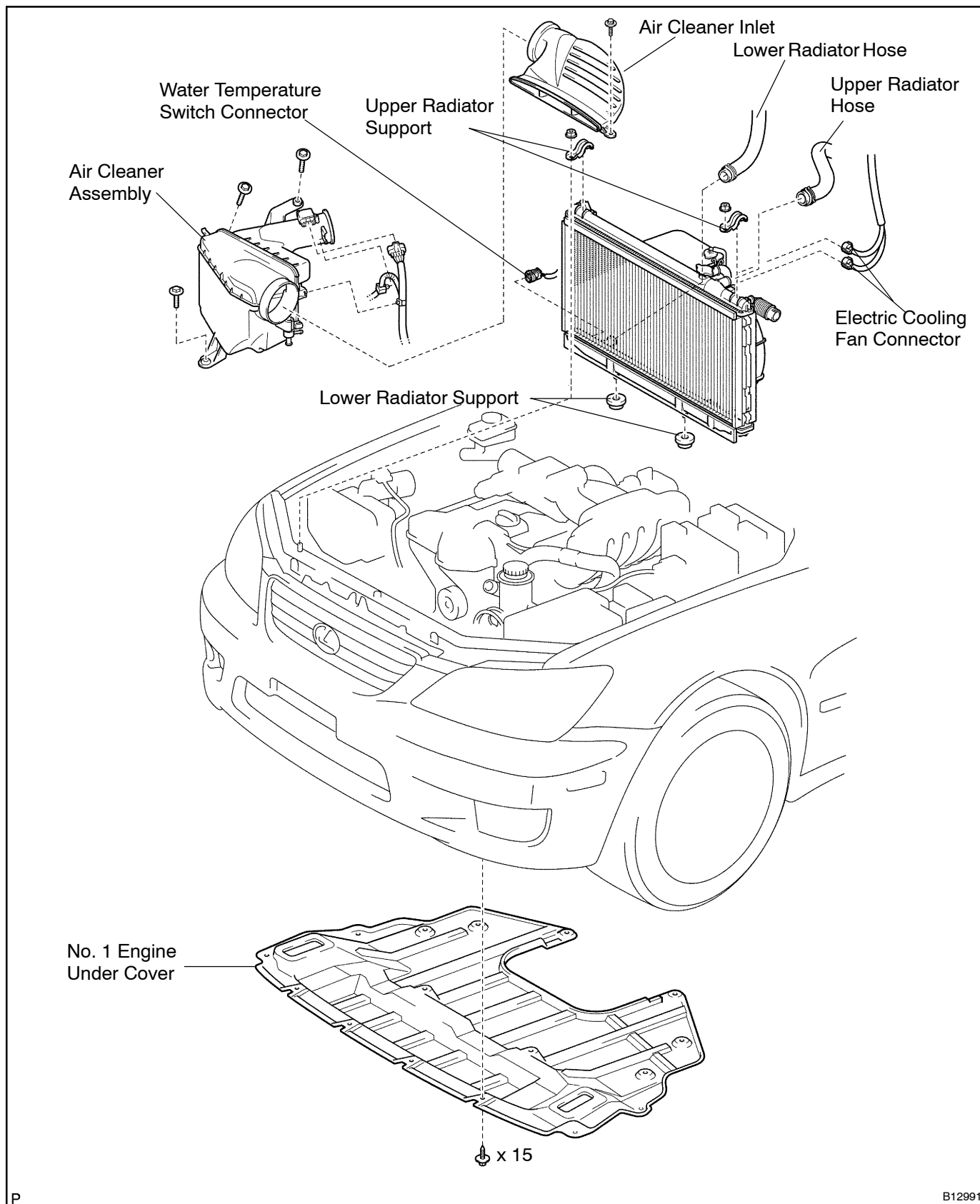
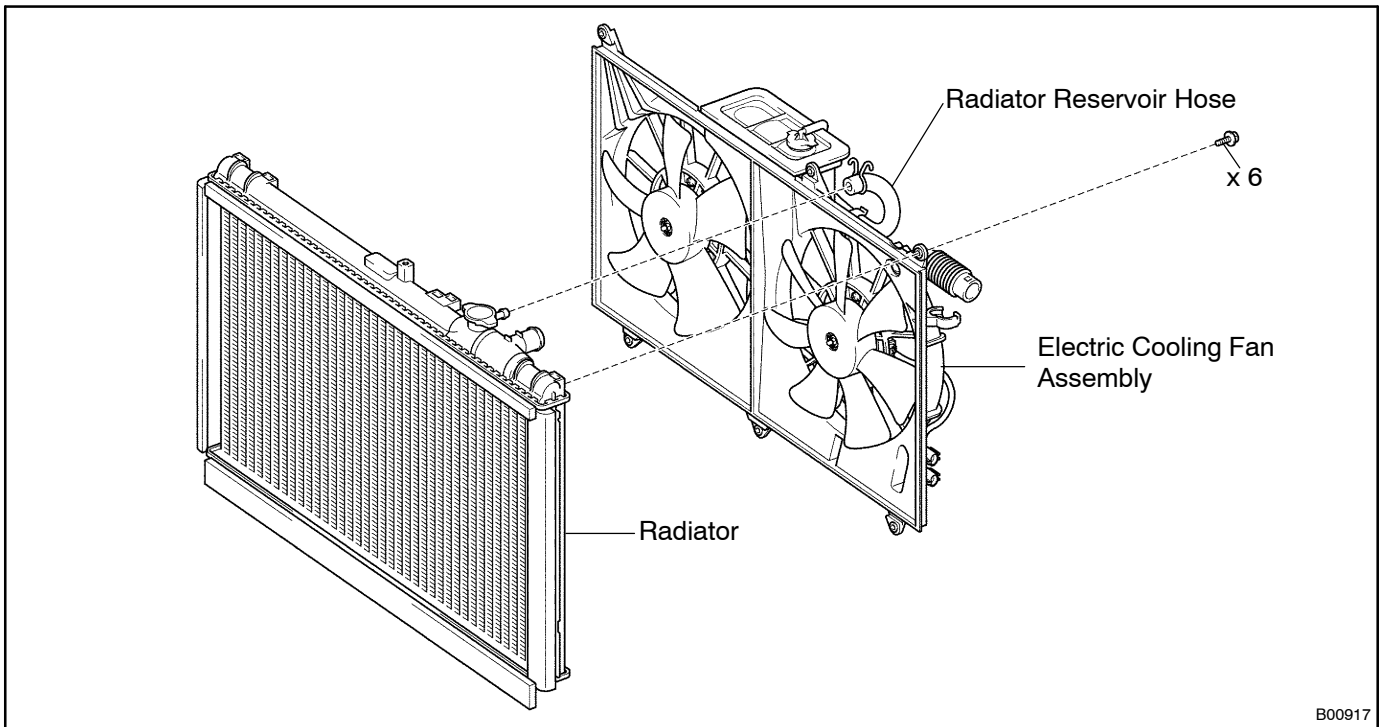


# COMPONENTS

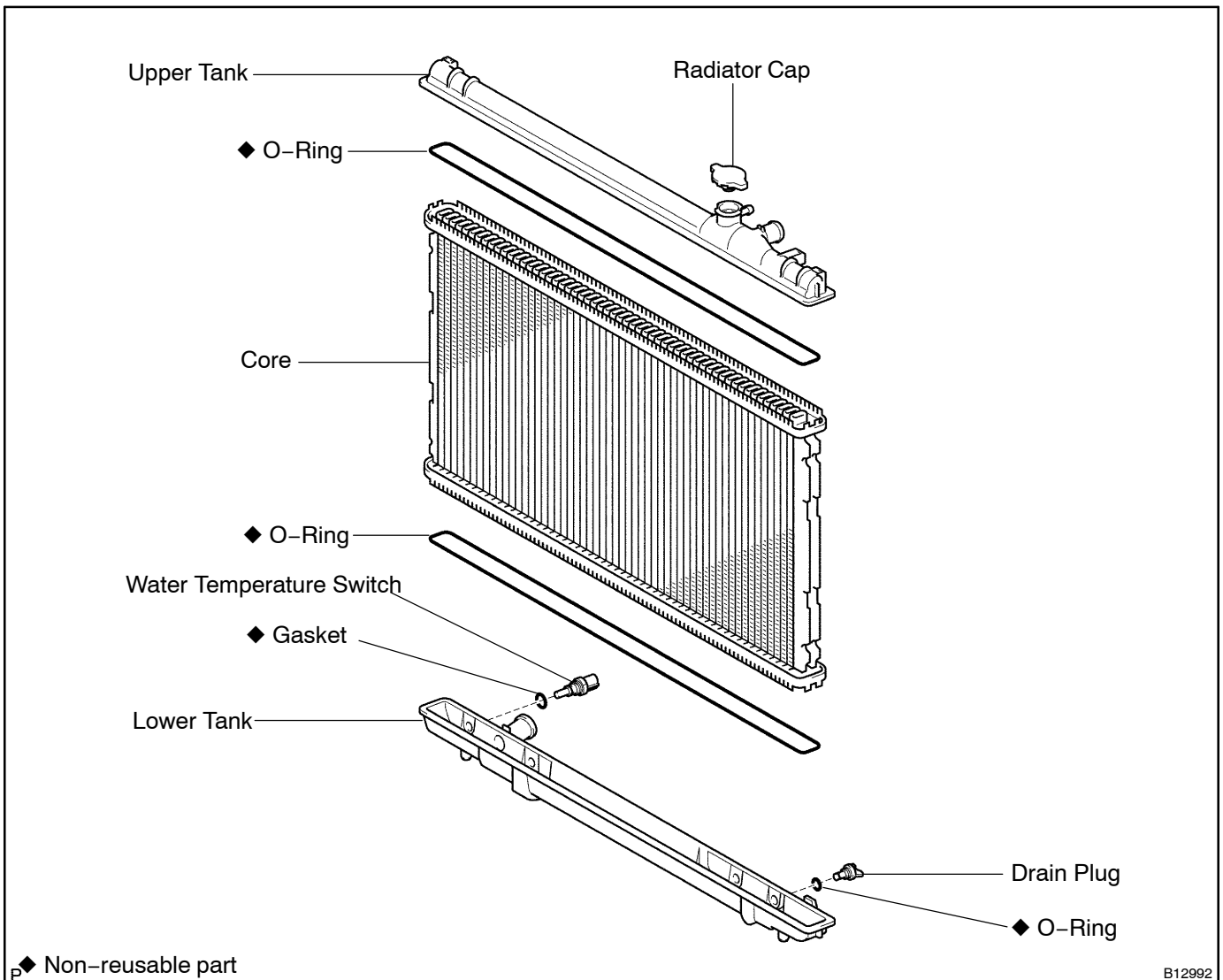


P

B12991



B00917



◆ Non-reusable part

B12992