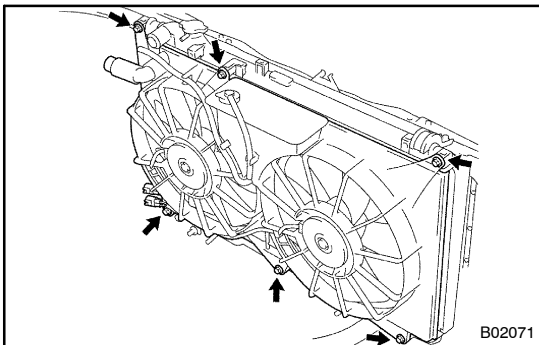


REMOVAL

1. DRAIN ENGINE COOLANT
2. REMOVE AIR CLEANER INLET
3. REMOVE AIR CLEANER AND AIR FLOW METER ASSEMBLY
4. REMOVE ELECTRIC COOLING FAN
 - (a) Disconnect the upper radiator hose from the radiator.
 - (b) Disconnect the ECU outlet duct from the ECU box.
 - (c) Disconnect the wire for electric cooling fan from the clamp on the electric cooling fan.
 - (d) Disconnect the 2 electric cooling fan connector.
 - (e) Disconnect the radiator reservoir hose from the radiator.



- (f) Remove the 6 bolts and electric cooling fan.