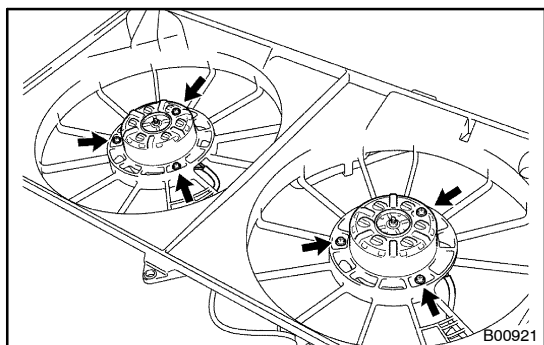


## DISASSEMBLY

### 1. REMOVE FANS

Remove the nut and fan. Remove the 2 fans.



### 2. REMOVE FAN MOTORS

- (a) Disconnect the wires and connector holders from the fan shroud.
- (b) Remove the 3 screws and fan motor. Remove the 2 fan motors.