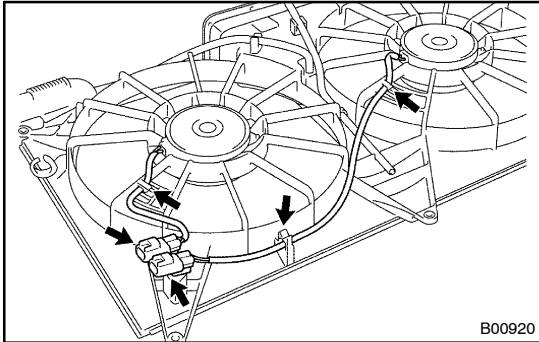


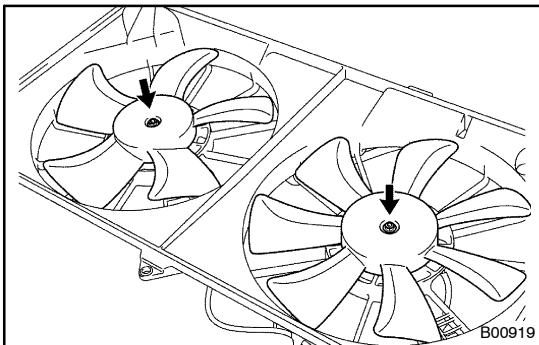
REASSEMBLY

1. INSTALL FAN MOTORS

- (a) Install the fan motor with the 3 screws. Install the 2 fan motors.



- (b) Install the wires and connector holders to the fan shroud as shown in the illustration.



2. INSTALL FANS

Install the fan with the nut. Install the 2 fans.