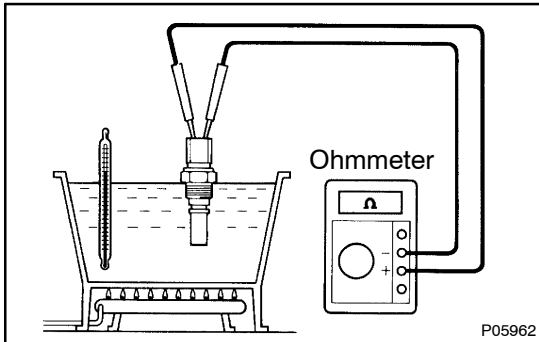


WATER TEMPERATURE SWITCH INSPECTION

CO1AS-01

1. **DRAIN ENGINE COOLANT**
2. **REMOVE WATER TEMPERATURE SWITCH**
 - (a) Disconnect the connector.
 - (b) Remove the water temperature switch.
 - (c) Remove the O-ring from the water temperature switch.



3. **INSPECT WATER TEMPERATURE SWITCH**

Check the sensor terminals continuity.

Standard:

Water temperature	Continuity
above 90 °C (194 °F)	Continuity
below 83 °C (181 °F)	No Continuity

If the continuity is not standard, replace the switch.

4. **REINSTALL WATER TEMPERATURE SWITCH**
 - (a) Install a new O-ring to the water temperature switch.
 - (b) Install the water temperature switch.
 - (c) Connect the connector.
5. **REFILL WITH ENGINE COOLANT**
6. **CHECK ENGINE COOLANT LEAK**