

<b>DTC</b>	<b>C1202 / 52</b>	<b>Brake Fluid Warning Switch Circuit</b>
------------	-------------------	---

## CIRCUIT DESCRIPTION

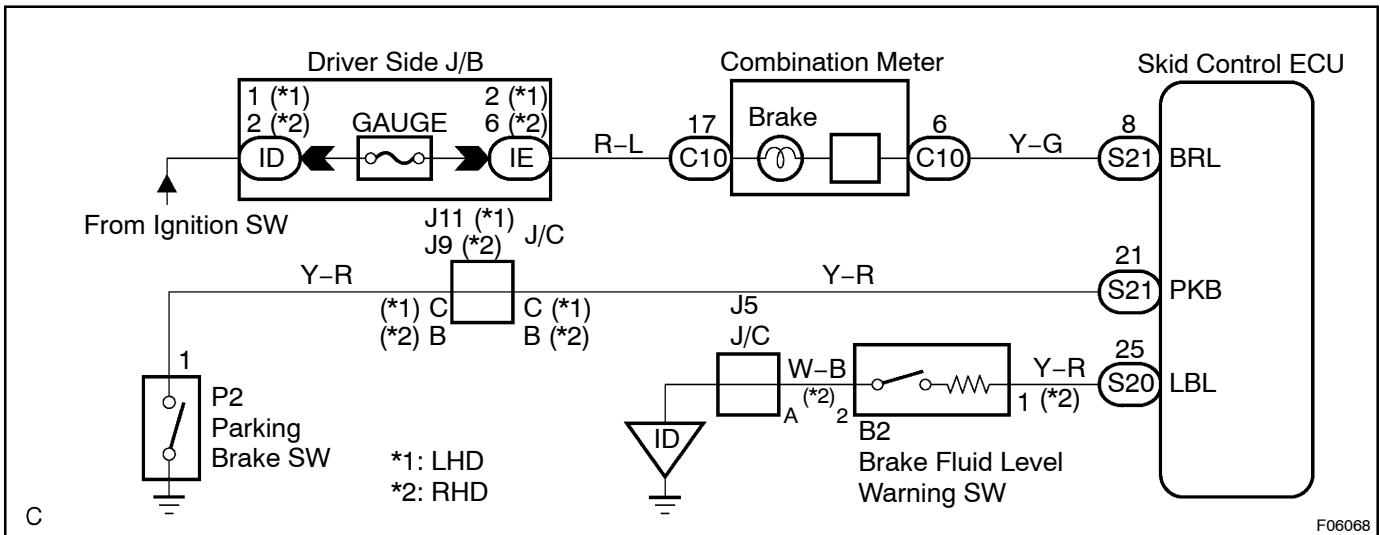
The brake fluid level warning switch sends the appropriate signal to the ECU when the brake fluid level drops.

HINT:

Pull the parking brake lever also turns on the brake warning light but does not diagnose DTC No. C1202 / 52.

DTC No.	DTC Detecting Condition	Trouble Area
C1202 / 52	When any of the following 1. or 2. is detected: 1. Low fluid level condition in the brake master cylinder reservoir tank continues for 10 sec. or more. 2. With ECU terminal IG1 voltage is 9.5 V to 17.2 V and open circuit for the brake fluid level warning switch circuit continues for 2 sec. or more.	<ul style="list-style-type: none"> <li>• Brake fluid level</li> <li>• Brake fluid level warning switch</li> <li>• Brake fluid level warning switch circuit</li> <li>• Skid control ECU</li> </ul>

## WIRING DIAGRAM



## INSPECTION PROCEDURE

<b>1</b>	<b>Check brake fluid level.</b>
----------	---------------------------------

### CHECK:

Check the amount of fluid in the brake reservoir.

NG

Check and repair brake fluid leakage and add fluid.

OK

2 Check brake fluid level warning switch (See Pub. No. RM684E on page BE-83).

NG

Replace brake fluid level warning switch.

OK

3 Check for open circuit in all the harness and components connected to brake fluid level warning light (See page IN-34).

NG

Repair or replace harness or connector.

OK

Check and replace skid control ECU.