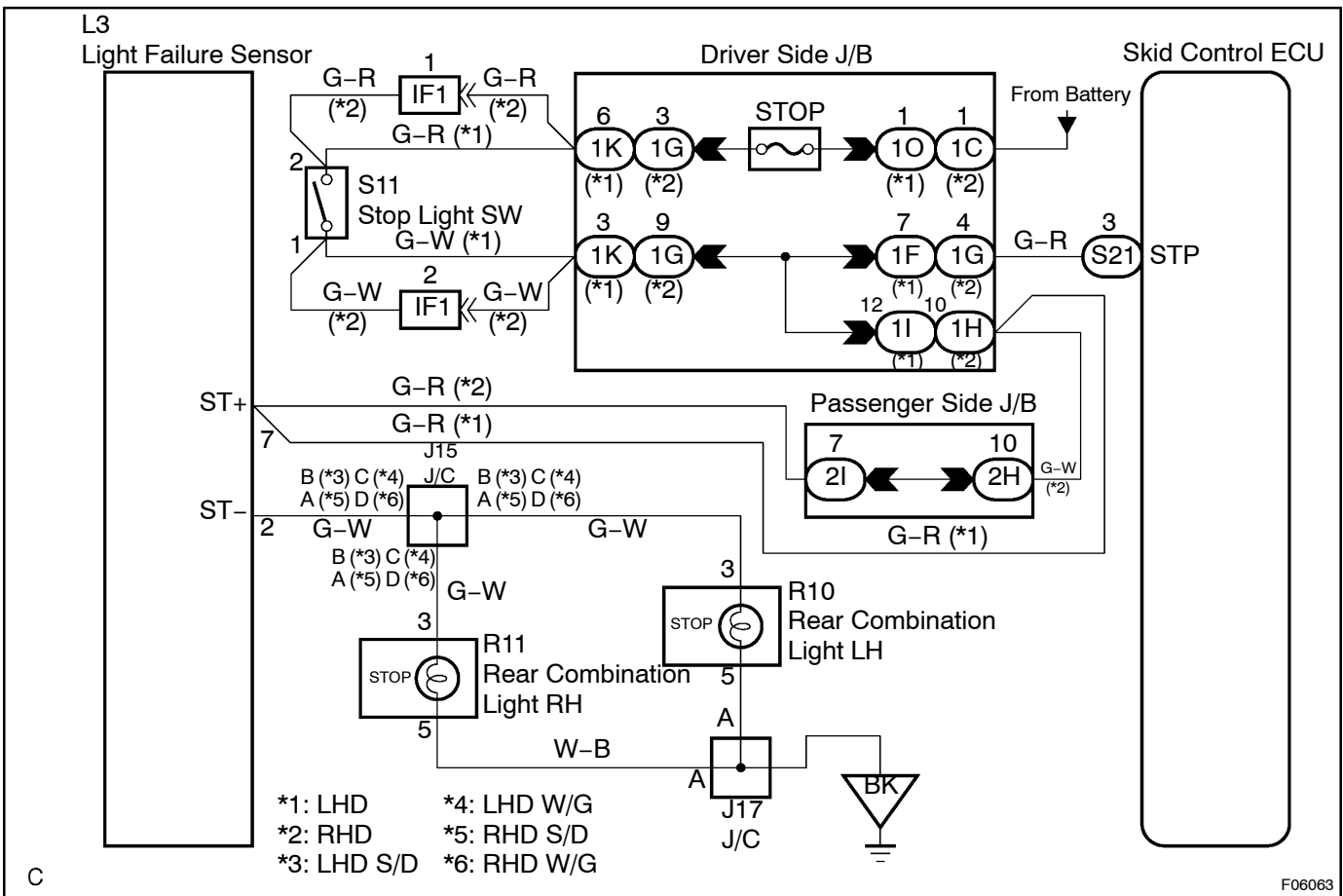


DTC	C1249 / 49	Stop Light Switch Circuit
------------	-------------------	----------------------------------

CIRCUIT DESCRIPTION

DTC No.	DTC Detecting Condition	Trouble Area
C1249 / 49	ECU terminal IG1 voltage is 9.5 to 17.2 V and ABS is in non-operation, the open circuit of stop light switch circuit continues for 0.3 sec. or more.	<ul style="list-style-type: none"> • Stop light switch • Stop light switch circuit • Skid control ECU

WIRING DIAGRAM



C

F06063

INSPECTION PROCEDURE

1 Check operation of the stop light switch.

CHECK:

Check that the stop light lights up when brake pedal is depressed and turns off when the brake pedal is released.

OK

Go to step 3.

NG

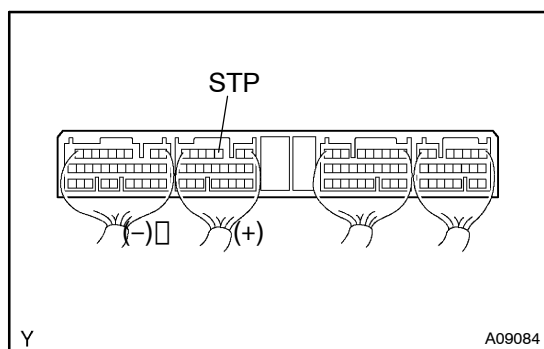
2 Check stop light circuit (See page BE-25).

NG

Repair or replace stop light circuit.

OK

3 Check voltage between terminal STP of skid control ECU and body ground.

**PREPARATION:**

Remove skid control ECU with connectors still connected.

CHECK:

Measure voltage between terminal STP of skid control ECU and body ground when brake pedal is depressed.

OK:

Voltage: 8 - 14 V

OK

Check and replace skid control ECU.

NG

4 Check for open circuit in harness and connector between skid control ECU and stop light switch (See page IN-34).

NG

Repair or replace harness or connector.

OK

Proceed to next circuit inspection shown on problem symptoms table (See page DI-262).