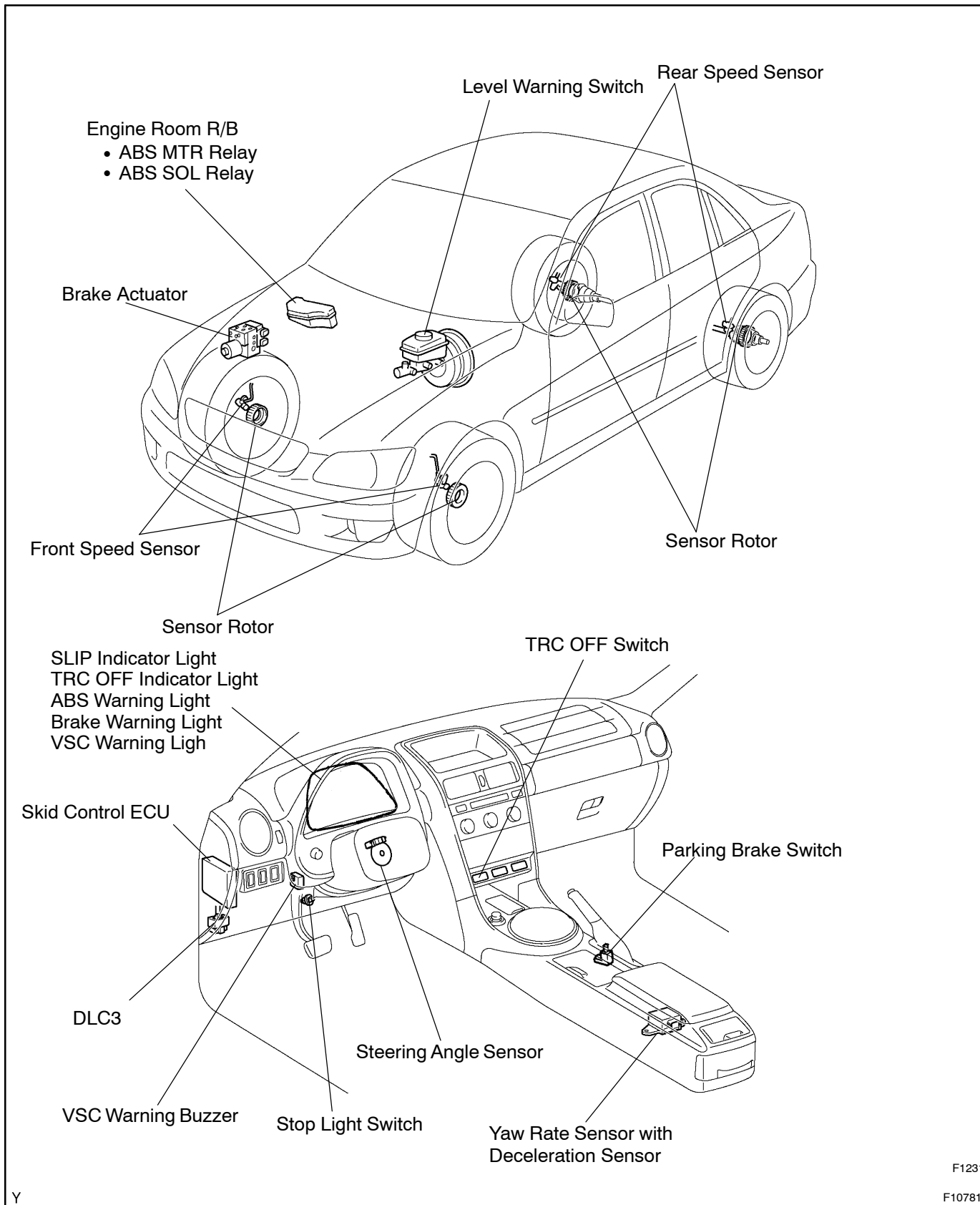


PARTS LOCATION



F1231

F10781