

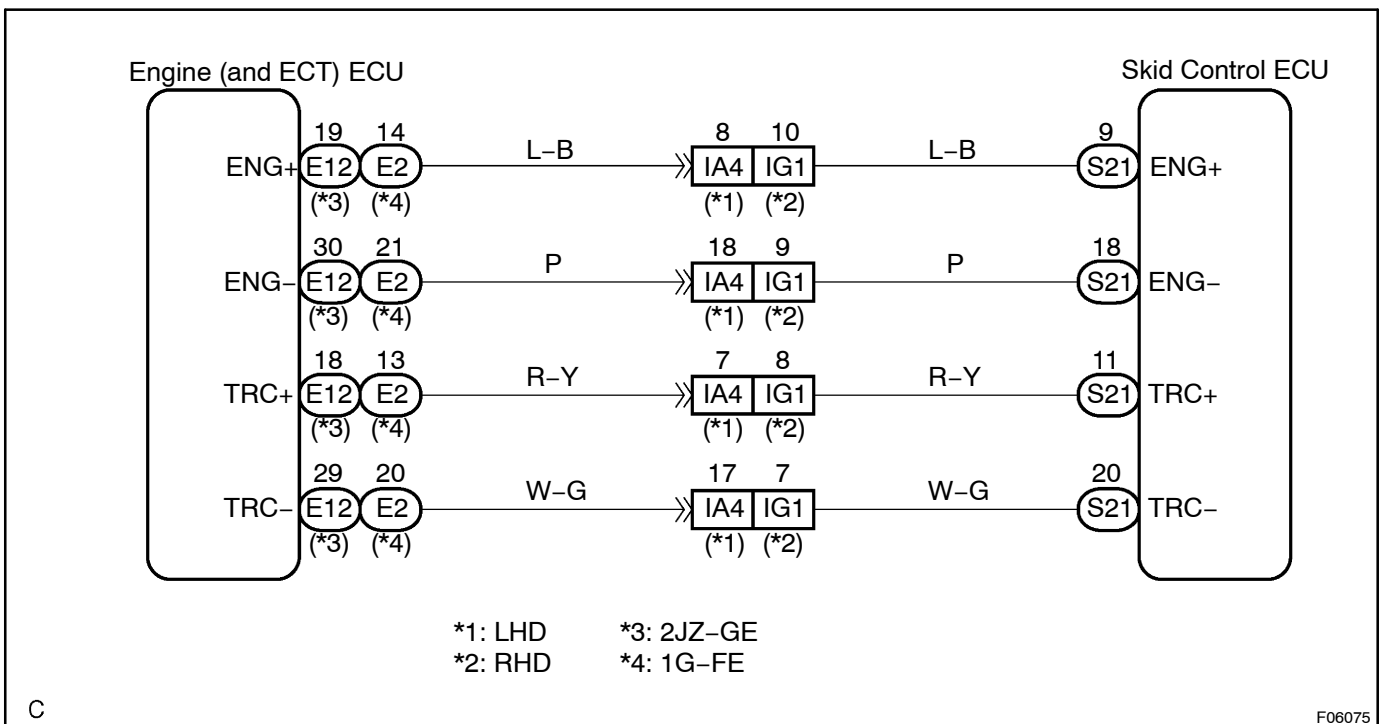
DTC	C1203 / 53	Engine ECU Communication Circuit Malfunction
------------	-------------------	---

CIRCUIT DESCRIPTION

The circuit is used to send TRC and VSC control information from the skid control ECU to the engine and ECT ECU (TRC+, TRC-), and engine control information from the engine and ECT ECU to the skid control ECU (ENG+, ENG-).

DTC No.	DTC Detecting Condition	Trouble Area
C1203 / 53	1. Either of the following (a), or (b) continues for 5 sec.: (a) When ECU terminal IG1 voltage is 9.5 V or more, the condition that the data is not transmitted to engine ECU continues for more than 5 sec. (b) When ECU terminal IG1 voltage is 9.5 V or more, engine speed is 500 rpm or more and data receipt from engine ECU is impossible. 2. The condition that the data sent from engine ECU becomes repeatedly normal and abnormal occurs 10 times or more for 60 sec. 3. The condition that TRC ± communication is normal ↔ abnormal has been repeated more than 10 times in 60 sec.	<ul style="list-style-type: none"> • TRC+ or TRC- circuit • ENG+ or ENG- circuit • Engine ECU • Skid control ECU

WIRING DIAGRAM



INSPECTION PROCEDURE

- | | |
|---|---|
| 1 | Check for open and short circuit in harness and connector between terminals ENG+, ENG-, TRC+, TRC- of skid control ECU and engine ECU (See page IN-34). |
|---|---|

NG

Repair or replace harness or connector.

OK

Check and replace engine ECU or skid control ECU.