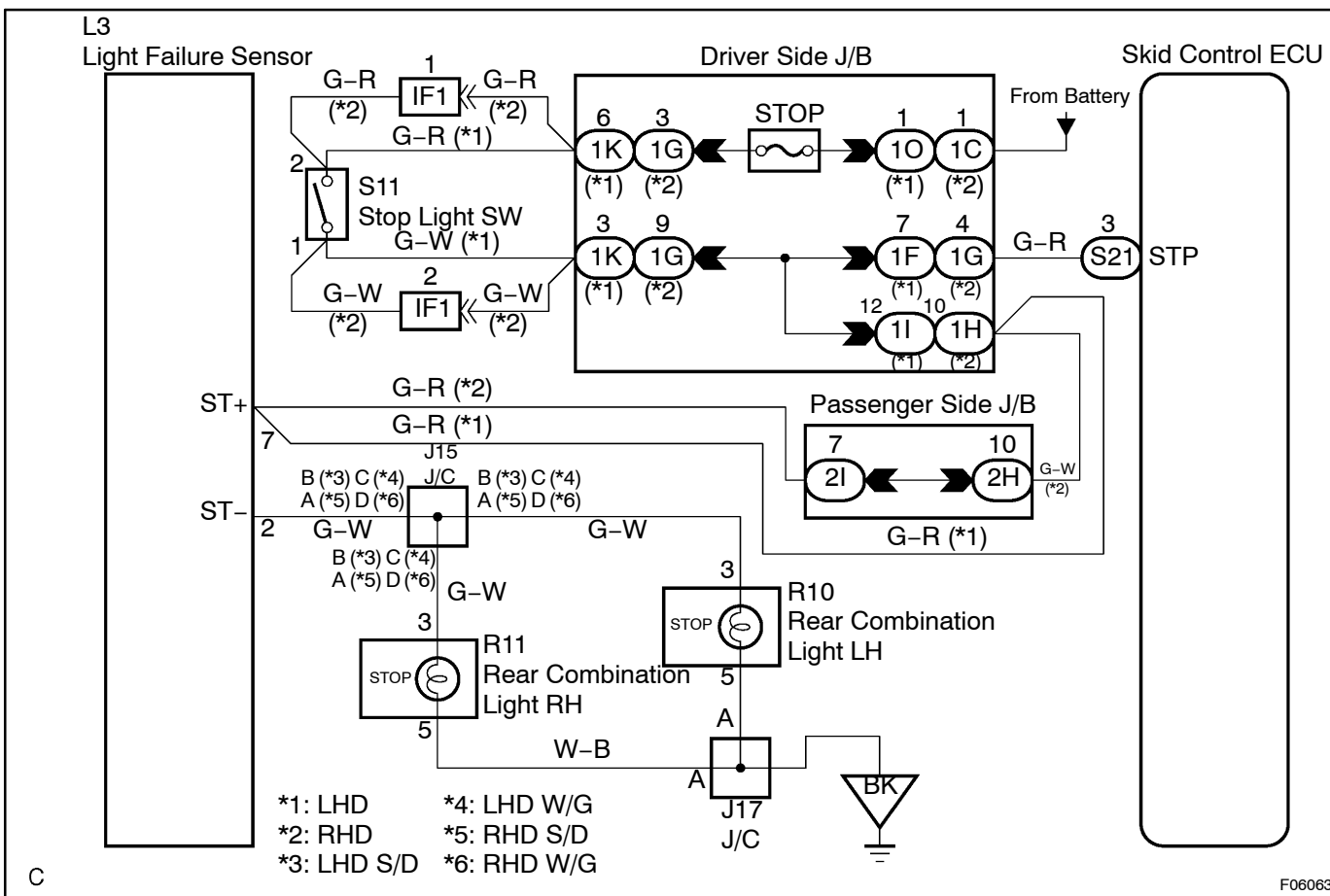


<b>DTC</b>	<b>C1249 / 49</b>	<b>Stop Light Switch Circuit</b>
------------	-------------------	----------------------------------

**CIRCUIT DESCRIPTION**

DTC No.	DTC Detecting Condition	Trouble Area
C1249 / 49	ECU terminal IG1 voltage is 9.5 to 17.2 V and ABS is in non-operation, the open circuit of stop light switch circuit continues for 0.3 sec. or more.	<ul style="list-style-type: none"> <li>• Stop light switch</li> <li>• Stop light switch circuit</li> <li>• Skid Control ECU</li> </ul>

**WIRING DIAGRAM**



C

F06063

**INSPECTION PROCEDURE**

**1** Check operation of the stop light switch.

**CHECK:**

Check that the stop light lights up when brake pedal is depressed and turns off when the brake pedal is released.

OK

Go to step 3.

NG

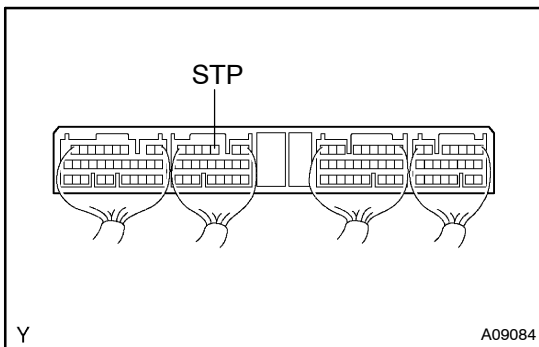
**2** Check stop light circuit.

NG

Repair or replace stop light circuit.

OK

**3** Check voltage between terminal STP of skid control ECU and body ground.

**PREPARATION:**

Remove skid control ECU with connectors still connected.

**CHECK:**

Measure voltage between terminal STP of skid control ECU and body ground when brake pedal is depressed.

**OK:**

**Voltage: 8 - 14 V**

OK

Check and replace skid control ECU.

NG

4 Check for open circuit in harness and connector between skid control ECU and stop light switch (See page IN-34).

NG

Repair or replace harness or connector.

OK

Proceed to next circuit inspection shown on problem symptoms table (See page DI-335).