

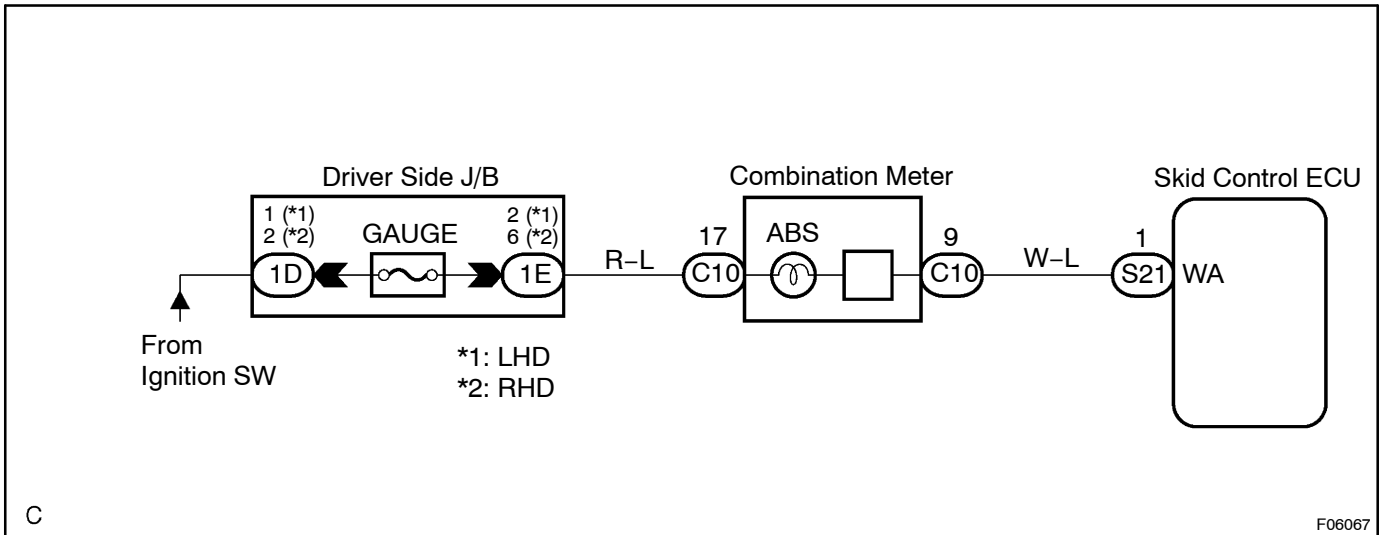
## ABS Warning Light Circuit

### CIRCUIT DESCRIPTION

If the ECU detects a trouble, it lights the ABS warning light while at the same time prohibiting ABS control. At this time, the ECU records a DTC in memory.

Connect terminals Tc and CG of the DLC3 to make the ABS warning light blink and output the DTC.

### WIRING DIAGRAM



### INSPECTION PROCEDURE

#### HINT:

Troubleshooting in accordance with the chart below for each trouble symptom.

|                                     |    |
|-------------------------------------|----|
| ABS warning light does not light up | *1 |
| ABS warning light remains on        | *2 |

\*1: Start the inspection from step 1 in case of using the hand-held tester and start from step 2 in case of not using hand-held tester.

\*2: After inspection with step 3, start the inspection from step 4 in case of using the hand-held tester and start from step 5 in case of not using hand-held tester.

|          |  |
|----------|--|
| <b>1</b> | <b>Check operation of the ABS warning light.</b> |
|----------|--|

#### PREPARATION:

- Connect the hand-held tester to the DLC3.
- Turn the ignition switch ON and push the hand-held tester main switch ON.
- Select the ACTIVE TEST mode on the hand-held tester.

#### CHECK:

Check that "ON" and "OFF" of the ABS warning light can be shown on the combination meter by the hand-held tester.

#### HINT:

ABS warning light turns "OFF" automatically 2 sec. after is turned "ON".

OK

Check and replace skid control ECU.

NG

2 Check ABS warning light.

See combination meter troubleshooting.

NG

Repair bulb or combination meter assembly.

OK

Repair or replace and check for open circuit in harness and connector between combination meter and skid control ECU (See page N-34).

3 Check that the skid control ECU connectors are securely connected to the skid control ECU.

NO

Connect the connector to the skid control ECU.

YES

4 Check operation of the ABS warning light (See step 1).

OK

Check and replace skid control ECU.

NG

5 Is DTC output?

Check DTC on page DI-318.

YES

Repair circuit indicated by the output code.

NO

Check for short circuit in harness and connector between check connector and ABS solenoid relay (See page IN-34).