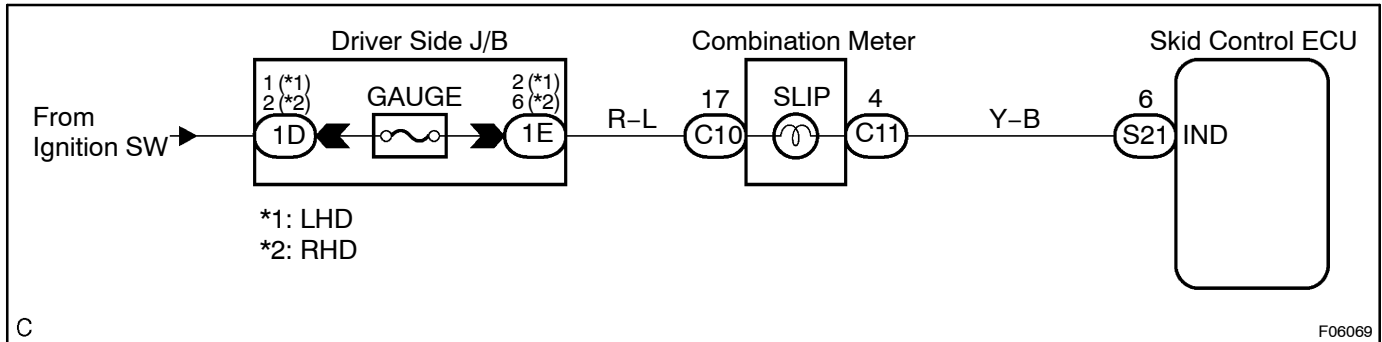


SLIP Indicator Light Circuit

CIRCUIT DESCRIPTION

The SLIP indicator blinks during TRC operation.

WIRING DIAGRAM



INSPECTION PROCEDURE

HINT:

Start the inspection from step 1 in case of using the hand-held tester and start from step 2 in case of not using the hand-held tester.

1	Check operation of the SLIP indicator light.
----------	---

PREPARATION:

- (a) Connect the hand-held tester to the DLC3.
- (b) Turn the ignition switch ON and push the hand-held tester main switch ON.
- (c) Select the ACTIVE TEST mode on the hand-held tester.

CHECK:

Check that "ON" and "OFF" of the SLIP indicator light can be shown on the combination meter by the hand-held tester.

OK

Go to step 4.

NG

2	Check that the SLIP indicator light is ON for 3 seconds soon after ignition switch is turned ON.
----------	---

OK

Check and replace skid control ECU.

NG

3 Check SLIP indicator light.

See combination meter troubleshooting.

NG**Repair bulb or combination meter assembly.****OK****4 Check for open and short circuit in harness and connector between skid control ECU and SLIP indicator light (See page N-34).****NG****Repair or replace harness or connector.****OK****Check and replace skid control ECU.**