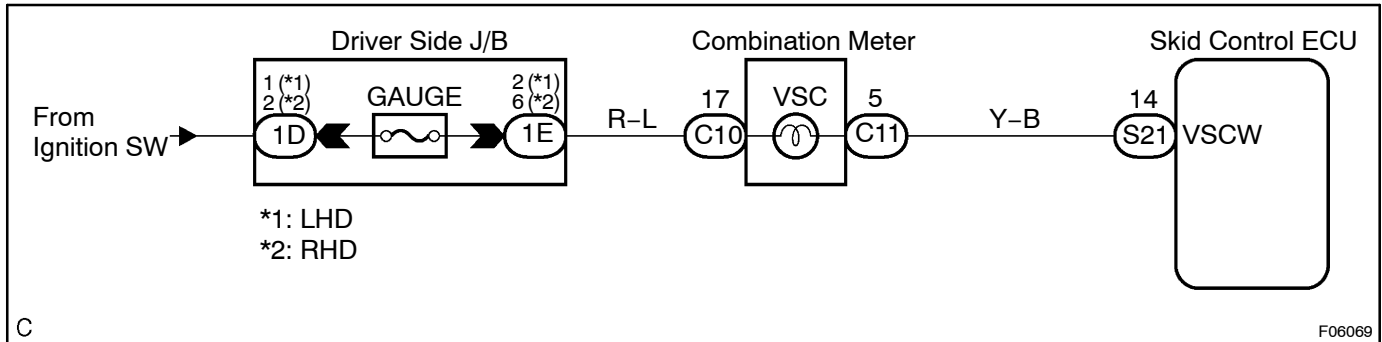


VSC Warning Light Circuit

CIRCUIT DESCRIPTION

If the ECU stores DTC, the VSC warning light lights on the combination meter.

WIRING DIAGRAM



INSPECTION PROCEDURE

HINT:

Start the inspection from step 1 in case of using the hand-held tester and start from step 2 in case of not using the hand-held tester.

- | | |
|----------|--|
| 1 | Check operation of the VSC warning indicator. |
|----------|--|

PREPARATION:

- Connect the hand-held tester to the DLC3.
- Turn the ignition switch ON and push the hand-held tester main switch ON.
- Select the ACTIVE TEST mode on the hand-held tester.

CHECK:

Check that "ON" and "OFF" of the VSC warning light can be shown on the combination meter with the hand-held tester.

OK

Check and replace skid control ECU.

NG

- | | |
|----------|-------------------------------|
| 2 | Is DTC output for VSC? |
|----------|-------------------------------|

YES

Repair circuit indicated by the output code.

NO

3 Check for open and short circuit in harness and connector between skid control ECU and VSC warning light (See page IN-34).

NG

Repair or replace harness or connector.

OK

4 Check VSC warning light.

See combination meter troubleshooting.

NG

Repair or replace combination meter.

OK

Check and replace skid control ECU.