

| | | |
|------------|-----------------|---|
| DTC | B1140/32 | Side Airbag Sensor Assy (RH) Malfunction |
|------------|-----------------|---|

CIRCUIT DESCRIPTION

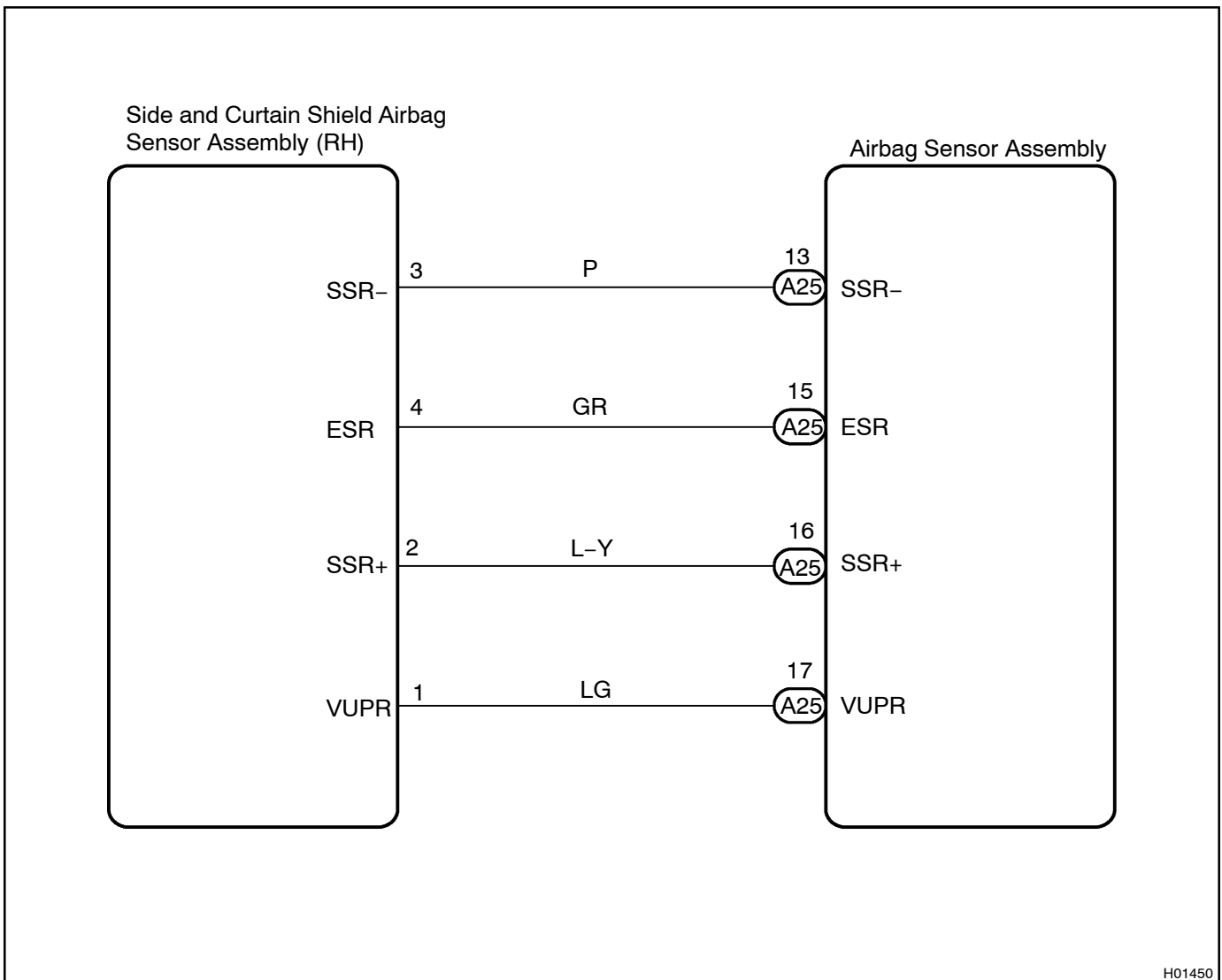
The side airbag sensor assy (RH) consists of the safing sensor, diagnosis circuit and lateral deceleration sensor, etc.

It receives signals from the lateral deceleration sensor, judges whether or not the SRS must be activated, and detects diagnosis system malfunction.

DTC B1140/32 is recorded when occurrence of a malfunction in the side airbag sensor assy (RH) is detected.

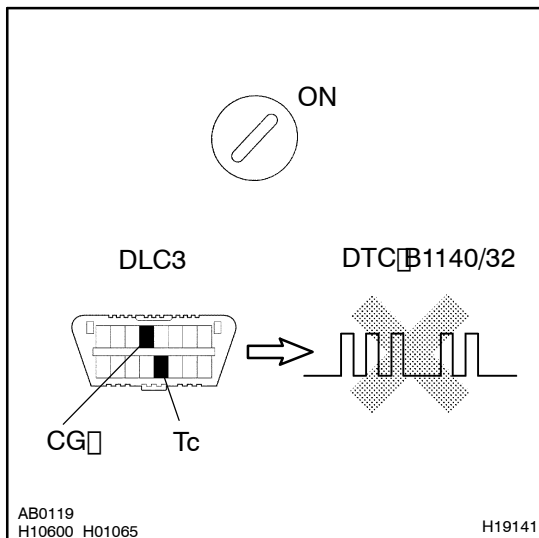
| DTC No. | DTC Detecting Condition | Trouble Area |
|----------|--|--|
| B1140/32 | • Side airbag sensor assy (RH) malfunction | • Side airbag sensor assy (RH) • Wire harness |

WIRING DIAGRAM



INSPECTION PROCEDURE

1 Is DTC B1140/32 output?

**CHECK:**

- Turn the ignition switch to ON, and wait at least for 20 seconds.
- Clear the DTC stored in memory (See page DI-413).
- Turn the ignition switch to LOCK, and wait at least for 20 seconds.
- Turn the ignition switch to ON, and wait at least for 20 seconds.
- Check the DTC (See page DI-413).

OK:

DTC B1140/32 is not output.

HINT:

Codes other than code B1140/32 may be output at this time, but they are not relevant to this check.

YES

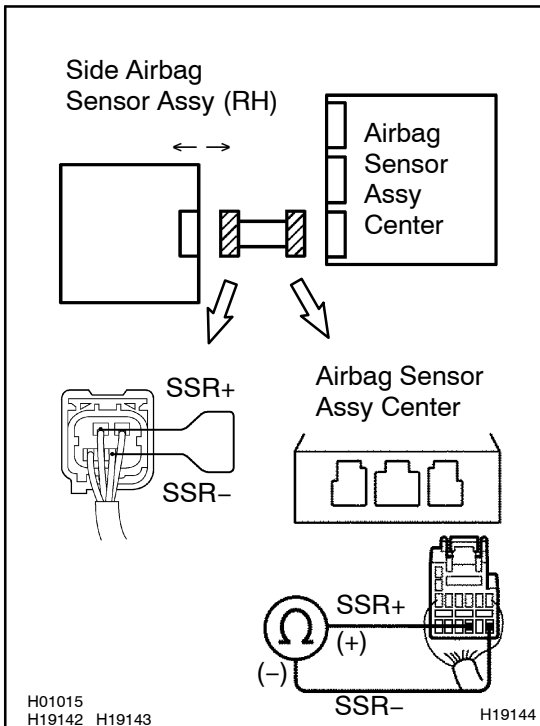
The malfunctioning part can now be considered normal. To make sure of this, use the simulation method to check.

NO

2 Is connector of side airbag sensor assy (RH) properly connected?

3 Prepare for inspection (See Pub. No. RM776E on page DI-40).

4 Check wire harness.



PREPARATION:

- Disconnect the side airbag sensor assy (RH) connector.
- Using a service wire, connect SSR+ and SSR- of the connector (on the side airbag sensor assy side) between the side airbag sensor assy (RH) and airbag sensor assy center.

CHECK:

For the connector (on the airbag sensor assy center side) between the side airbag sensor assy (RH) and the airbag sensor assy center, measure the resistance between SSR+ and SSR-.

OK:

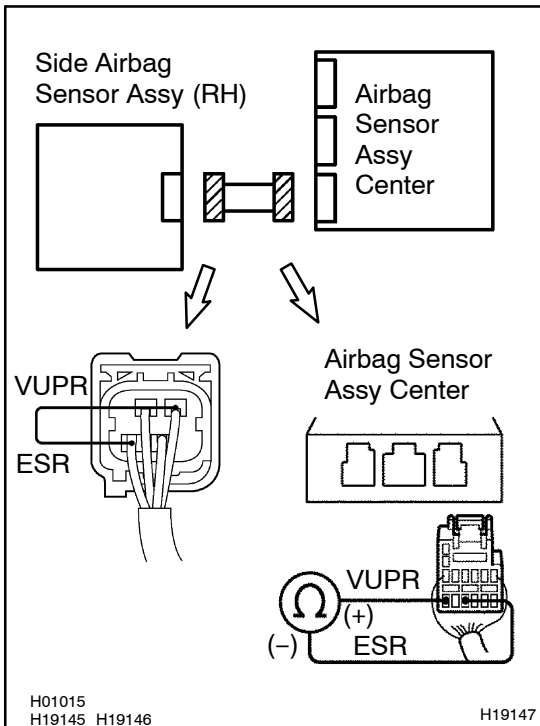
Resistance: Below 1 Ω

NG

Repair or replace harness or connector between side airbag sensor assy (RH) and airbag sensor assy center.

OK

5 Check wire harness.



PREPARATION:

Using a service wire, connect VUPR and ESR of the connector (on the side airbag sensor assy side) between the side airbag sensor assy (RH) and airbag sensor assy center.

CHECK:

For the connector (on the airbag sensor assy center side) between the airbag sensor assy (RH) and the airbag sensor assy center, measure the resistance between VUPR and ESR.

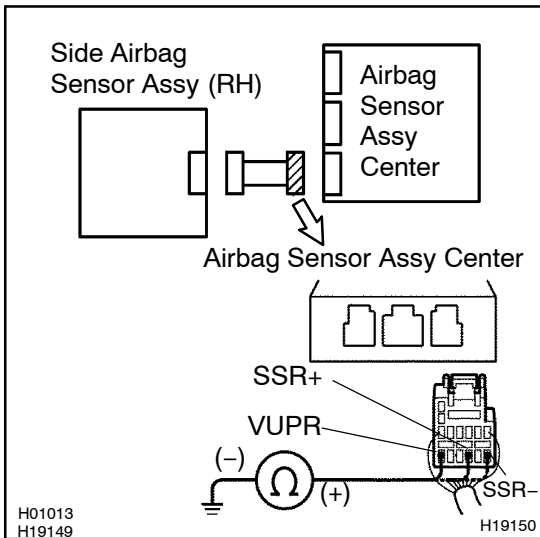
OK:

Resistance: Below 1 Ω

NG

Repair or replace harness or connector between side airbag sensor assy (RH) and airbag sensor assy center.

OK

6 Check wire harness (to ground).**CHECK:**

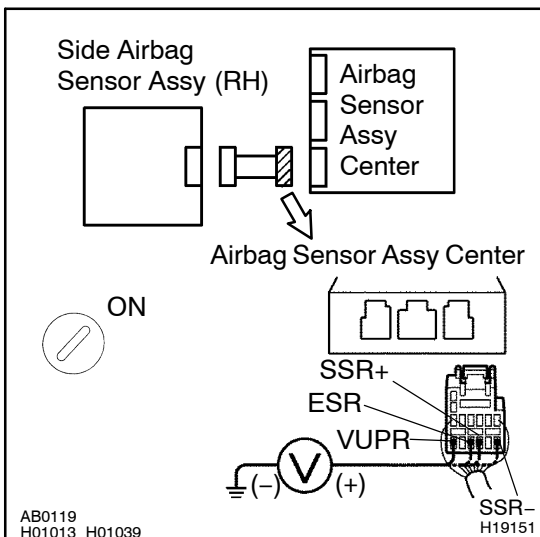
For the connector (on the airbag sensor assy center side) between the side airbag sensor assy (RH) and the airbag sensor assy center, measure the resistance between body ground and each of SSR+, VUPR and SSR-.

OK:

Resistance: 1 MΩ or Higher

NG

Repair or replace harness or connector between side airbag sensor assy (RH) and airbag sensor assy center.

OK**7 Check wire harness (to B+).****CHECK:**

- Turn the ignition switch to ON.
- For the connector (on the airbag sensor assy center side) between the side airbag sensor assy (RH) and the airbag sensor assy center, measure the voltage between the body ground and each of SSR+, VUPR, SSR- and ESR.

OK:

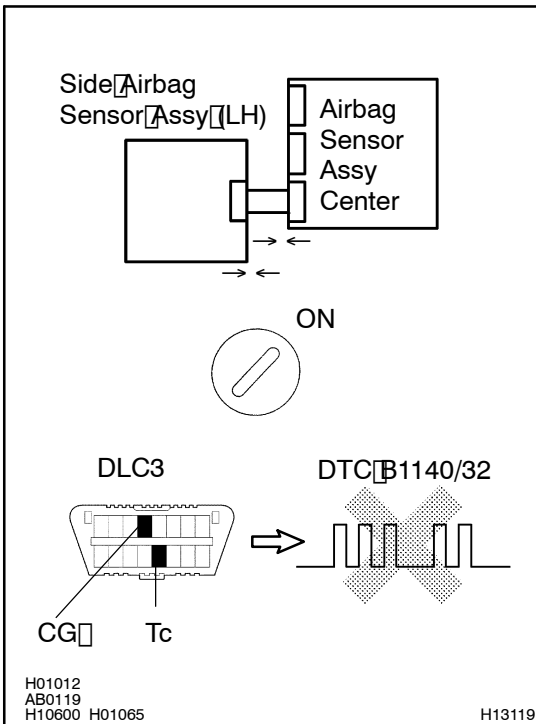
Voltage: Below 1 V

NG

Repair or replace harness or connector between side airbag sensor assy (RH) and airbag sensor assy center.

OK

8 Check side airbag sensor assy (RH).



PREPARATION:

- Disconnect the negative (-) terminal cable from the battery, and wait at least for 90 seconds.
- Connect the airbag sensor assy center connector.
- Interchange the side airbag sensor assy (RH) and (LH) and connect the connector.
- Connect negative (-) terminal cable to the battery, and wait at least for 2 seconds.

CHECK:

- Turn the ignition switch to ON, and wait at least for 20 seconds.
- Clear the DTC stored in memory (See page DI-413).
- Turn the ignition switch to LOCK, and wait at least for 60 seconds.
- Turn the ignition switch to ON, and wait at least for 20 seconds.
- Check the DTC (See page DI-413).

OK:

DTC B1140/32 is not output with the right and left sides interchanged.

NG

Replace side airbag sensor assy (RH).

OK

From the results of the above inspection, the malfunctioning part can now be considered normal. To make sure of this, use the simulation method to check.