

DTC	B1141/33	Side Airbag Sensor Assy (LH) Malfunction
------------	-----------------	---

CIRCUIT DESCRIPTION

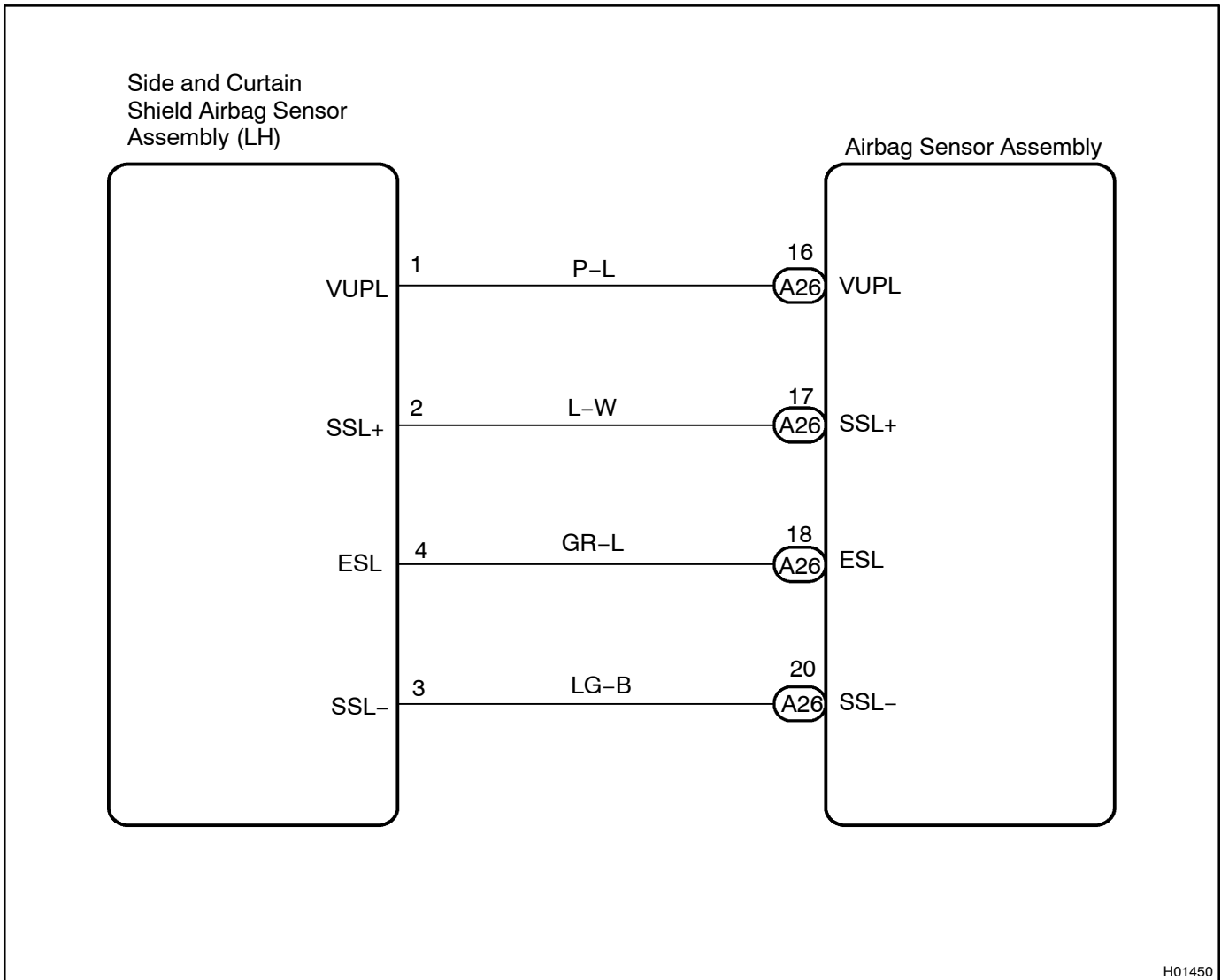
The side airbag sensor assy (LH) consists of the safing sensor, diagnosis circuit and lateral deceleration sensor, etc.

It receives signals from the lateral deceleration sensor, judges whether or not the SRS must be activated, and detects diagnosis system malfunction.

DTC B1141/33 is recorded when occurrence of a malfunction in the side airbag sensor assy (LH) is detected.

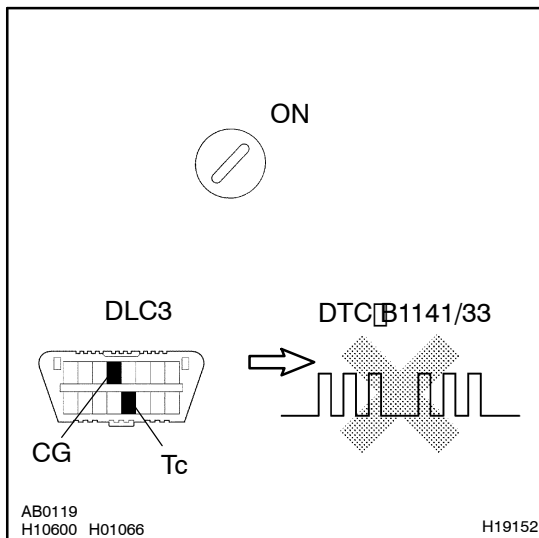
DTC No.	DTC Detecting Condition	Trouble Area
B1141/33	• Side airbag sensor assy (LH) malfunction	• Side airbag sensor assy (LH) • Wire harness

WIRING DIAGRAM



INSPECTION PROCEDURE

1 Is DTC B1141/33 output?

**CHECK:**

- Turn the ignition switch to ON, and wait at least for 20 seconds.
- Clear the DTC stored in memory (See page DI-413).
- Turn the ignition switch to LOCK, and wait at least for 20 seconds.
- Turn the ignition switch to ON, and wait at least for 20 seconds.
- Check the DTC (See page DI-413).

OK:

DTC B1141/33 is not output.

HINT:

Codes other than code B1141/33 may be output at this time, but they are not relevant to this check.

YES

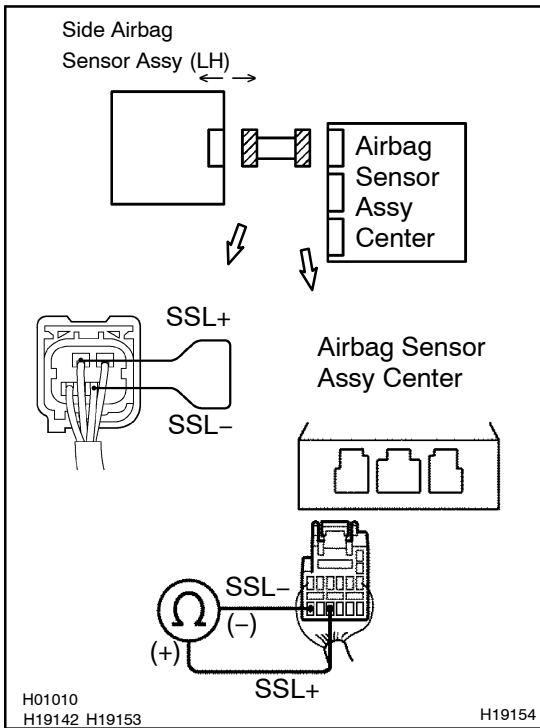
The malfunctioning part can now be considered normal. To make sure of this, use the simulation method to check.

NO

2 Is connector of side airbag sensor assy (LH) properly connected?

3 Prepare for inspection (See Pub. No. RM776E on page DI-40).

4 Check wire harness.



PREPARATION:

- Disconnect the side airbag sensor assy (LH).
- Using a service wire, connect SSL+ and SSL- of the connector (on the side airbag sensor assy side) between the side airbag sensor assy (LH) and the airbag sensor assy center.

CHECK:

For the connector (on the airbag sensor assy center side) between the side airbag sensor assy (LH) and the airbag sensor assy center, measure the resistance between SSL+ and SSL-.

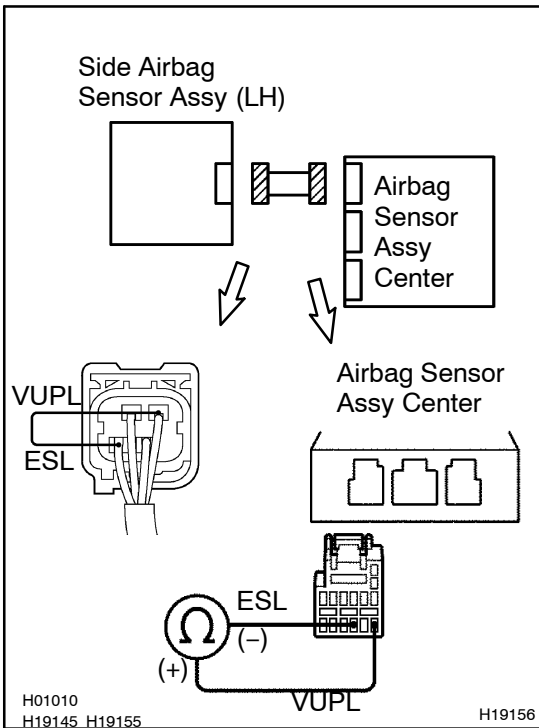
OK:

Resistance: Below 1 Ω

NG

Repair or replace harness or connector between side airbag sensor assy (LH) and airbag sensor assy center.

OK

5 Check wire harness.**PREPARATION:**

Using a service wire, connect VUPL and ESL of the connector (on the side airbag sensor assy side) between the side airbag sensor assy (LH) and the airbag sensor assy center.

CHECK:

For the connector (on the airbag sensor assy center side) between the side airbag sensor assy (LH) and the airbag sensor assy center, measure the resistance between VUPL and ESL.

OK:

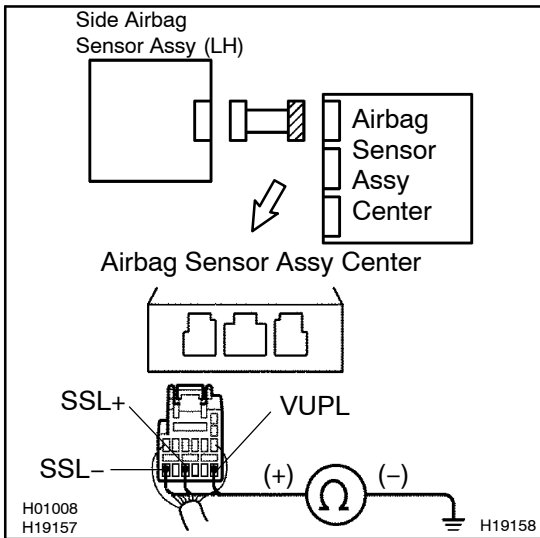
Resistance: Below 1 Ω

NG

Repair or replace harness or connector between side airbag sensor assy (LH) and airbag sensor assy center.

OK

6 Check wire harness (to ground).



CHECK:

For the connector (on the airbag sensor assy center side) between the side airbag sensor assy (LH) and the airbag sensor assy center, measure the resistance between body ground and each of SSL+, VUPL and SSL-.

OK:

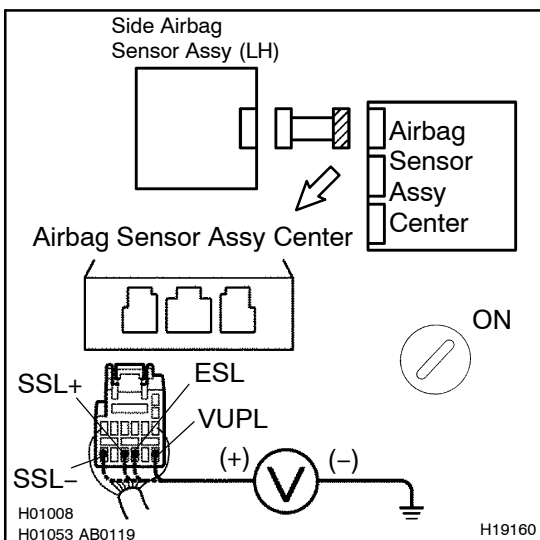
Resistance: 1 MΩ or Higher

NG

Repair or replace harness or connector between side airbag sensor assy (LH) and airbag sensor assy center.

OK

7 Check wire harness (to B+).



CHECK:

- Turn the ignition switch to ON.
- For the connector (on the airbag sensor assy center side) between the side airbag sensor assy (LH) and the airbag sensor assy center, measure the voltage between body ground and each of ESL, VUPL, SSL- and SSL+.

OK:

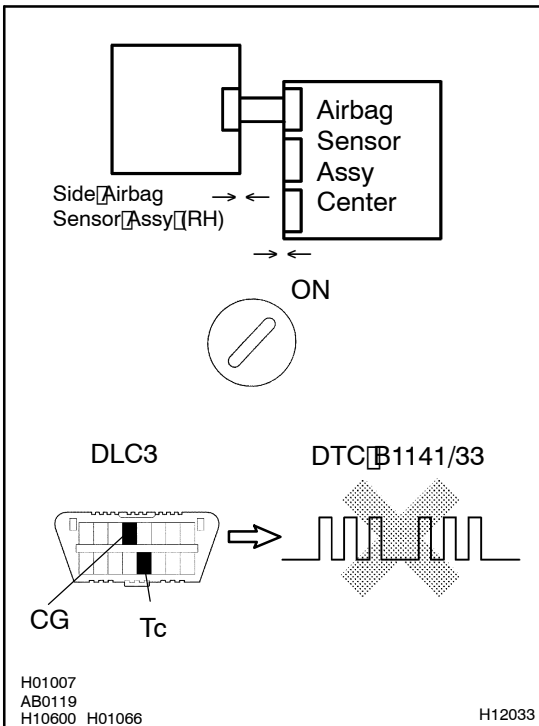
Voltage: Below 1 V

NG

Repair or replace harness or connector between side airbag sensor assy (LH) and airbag sensor assy center.

OK

8 Check side airbag sensor assy (LH).



PREPARATION:

- Disconnect the negative (-) terminal cable from the battery, and wait at least for 90 seconds.
- Connect the airbag sensor assy center connector.
- Interchange the side airbag sensor assy LH and RH connector the connector.
- Connect negative (-) terminal cable to the battery, and wait at least for 2 seconds.

CHECK:

- Turn the ignition switch to ON, and wait at least for 20 seconds.
- Clear the DTC stored in memory (See page DI-413).
- Turn the ignition switch to LOCK, and wait at least for 20 seconds.
- Turn the ignition switch to ON, and wait at least for 20 seconds.
- Check the DTC (See page DI-413).

OK:

DTC B1141/33 is not output, with the right and left sides interchanged.

NO

Replace side airbag sensor assy (LH).

YES

From the results of the above inspection, the malfunctioning part can now be considered normal. To make sure of this, use the simulation method to check.