

DTC	B1158/B1159/16	Front Airbag Sensor (LH) Malfunction
------------	-----------------------	---

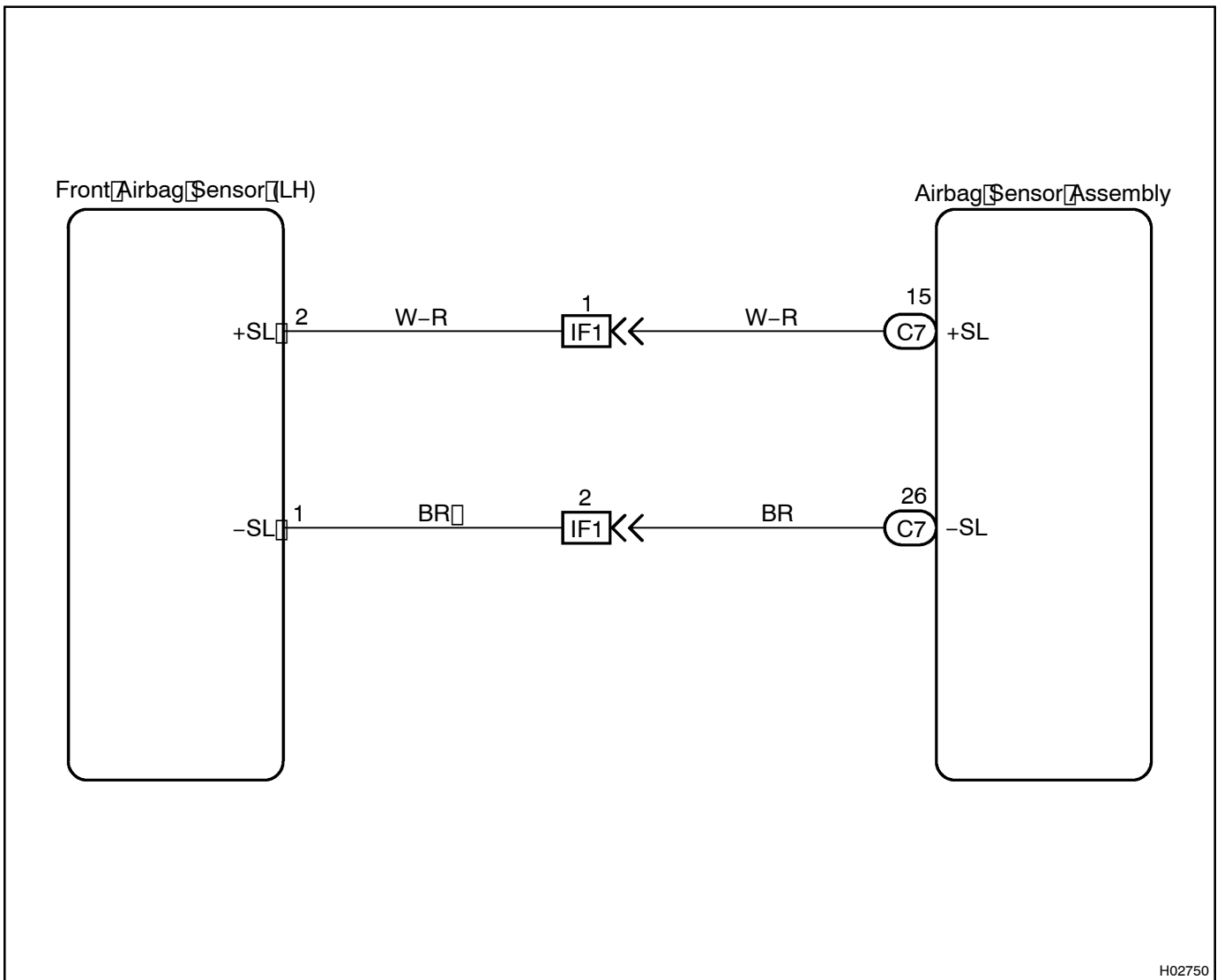
CIRCUIT DESCRIPTION

The front airbag sensor (LH) circuit consists of the airbag sensor assembly and front airbag sensor (LH). For details of the function of each component, see OPERATION on page RS-2.

DTC B1158/B1159/16 is recorded when malfunction is detected in the front airbag sensor (LH) circuit.

DTC No.	DTC Detecting Condition	Trouble Area
B1158/B1159/16	• Front airbag sensor (LH) malfunction	<ul style="list-style-type: none"> • Front airbag sensor (LH) • Airbag sensor assembly • Wire harness • Engine room main wire harness

WIRING DIAGRAM

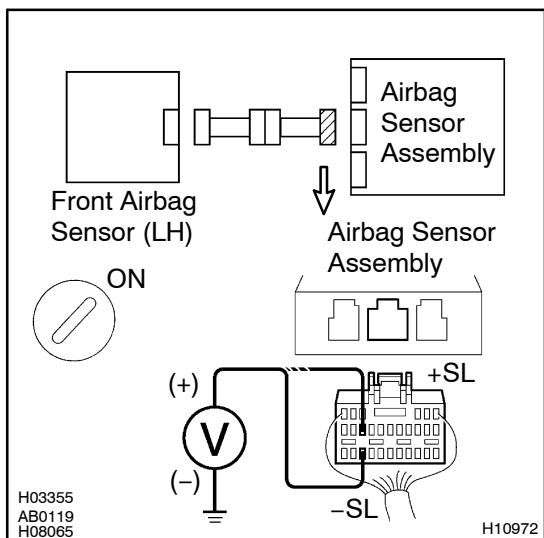


H02750

INSPECTION PROCEDURE

1 Prepare for inspection (See Pub. No. RM776E on page DI-40).

2 Check wire harness (to B+).

**CHECK:**

- Turn the ignition switch to ON.
- For the connector (on the airbag sensor assembly side) between the front airbag sensor (LH) and the airbag sensor assembly, measure the voltage between body ground and each of +SL and -SL.

OK:

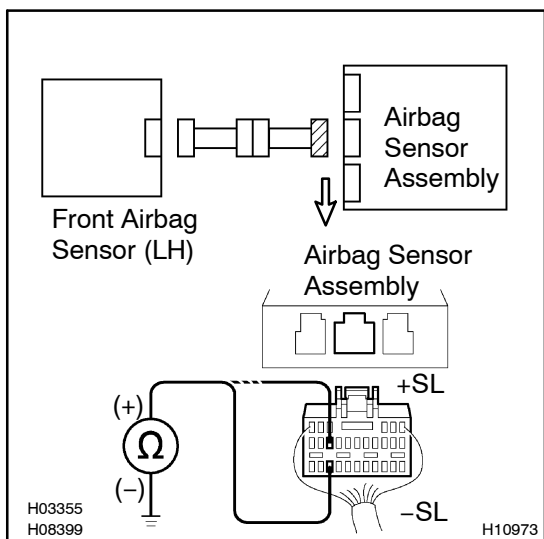
Voltage: Below 1 V

NG

Go to step 8.

OK

3 Check wire harness (to ground).

**CHECK:**

For the connector (on the airbag sensor assembly side) between the front airbag sensor (LH) and the airbag sensor assembly, measure the resistance between body ground and each of +SL and -SL.

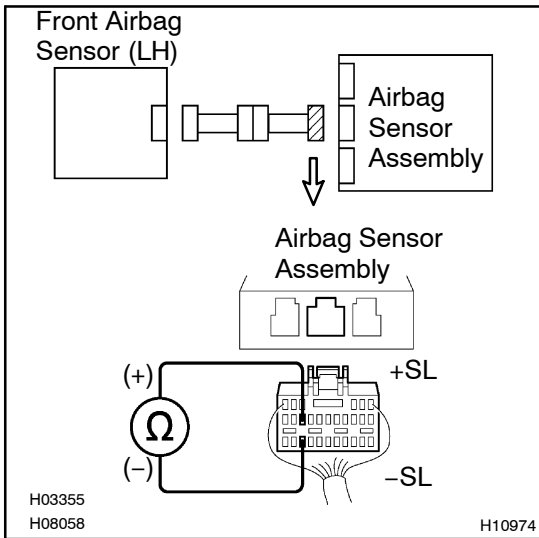
OK:

Resistance: 1 MΩ or Higher

NG

Go to step 9.

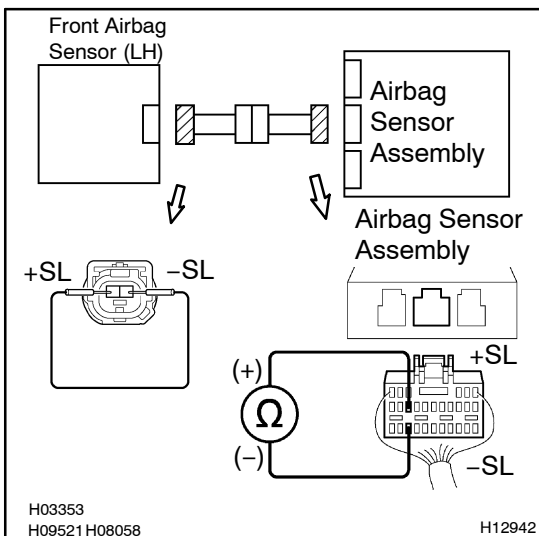
OK

4 Check wire harness.**CHECK:**

For the connector (on the airbag sensor assembly side) between the front airbag sensor (LH) and the airbag sensor assembly, measure the resistance between +SL and -SL.

OK:

Resistance: 1 MΩ or Higher

NG**Go to step 10.****OK****5 Check wire harness.****PREPARATION:**

Using a service wire, connect +SL and -SL of the connector (on the front airbag sensor (LH) side) between the airbag sensor assembly and the front airbag sensor (LH).

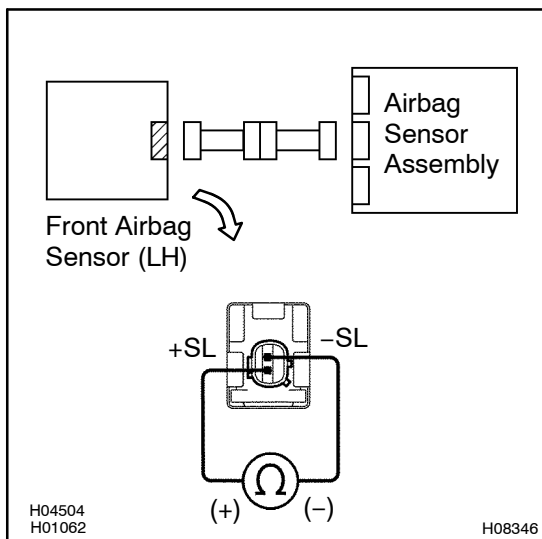
CHECK:

For the connector (on the airbag sensor assembly side) between the front airbag sensor (LH) and the airbag sensor assembly, measure the resistance between +SL and -SL.

OK:

Resistance: Below 1 Ω

NG**Go to step 11.****OK**

6 Check front airbag sensor (LH).**CHECK:**

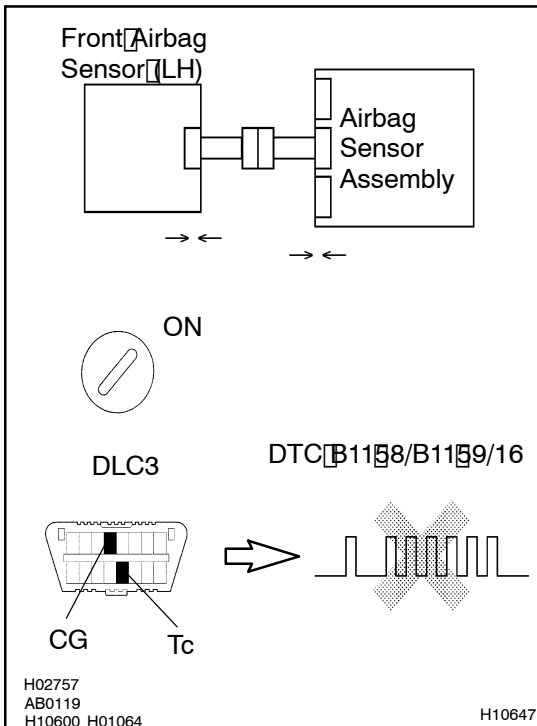
For the connector (on the front airbag sensor (LH)), measure the resistance between +SL and -SL.

OK:

Resistance: 300 – 1500 Ω

NG**Replace front airbag sensor (LH).****OK**

7 Check airbag sensor assembly.



PREPARATION:

- Turn the ignition switch to LOCK.
- Disconnect the negative (-) terminal cable from the battery, and wait at least for 90 seconds.
- Connect the front airbag sensor (LH) connector and airbag sensor assembly connector.
- Connect the negative (-) terminal cable to the battery, and wait at least for 2 seconds.

CHECK:

- Turn the ignition switch to ON, and wait at least for 20 seconds.
- Clear the DTC stored in memory (See page DI-413).
- Turn the ignition switch to LOCK, and wait at least for 20 seconds.
- Turn the ignition switch to ON, and wait at least for 20 seconds.
- Check the DTC (See page DI-413).

OK:

DTC B1158/B1159/16 is not output.

HINT:

Codes other than code B1158/B1159/16 may be output at this time, but they are not relevant to this check.

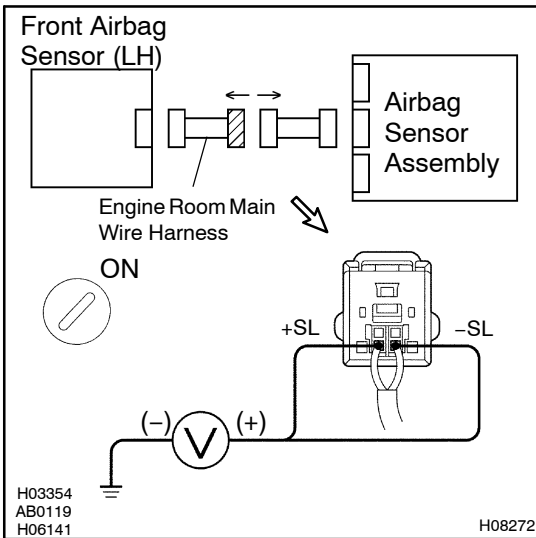
NG

Replace airbag sensor assembly.

OK

From the results of the above inspection, the malfunctioning part can now be considered normal. To make sure of this, use the simulation method to check.

8 Check engine room main wire harness (to B+).



PREPARATION:

Disconnect the engine room main wire harness connector on the airbag sensor assembly side.

CHECK:

- Turn the ignition switch to ON.
- For the connector (on the LH front door wire harness side) between the airbag sensor assembly and the engine room main wire harness, measure the voltage between body ground and each of +SL and -SL.

OK:

Voltage: Below 1 V

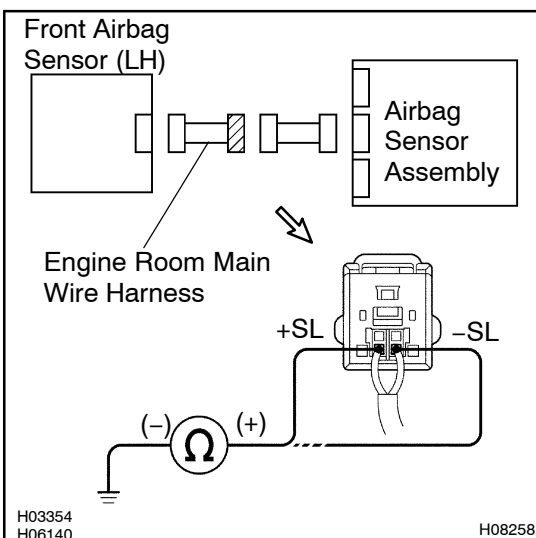
NG

Repair or replace engine room main wire harness.

OK

Repair or replace harness or connector between airbag sensor assembly and engine room main wire harness.

9 Check engine room main wire harness (to ground).



PREPARATION:

Disconnect the engine room main wire harness connector on the airbag sensor assembly side.

CHECK:

For the connector (on the engine room main wire harness side) between the airbag sensor assembly and the engine room main wire harness, measure the resistance between body ground and each of +SL and -SL.

OK:

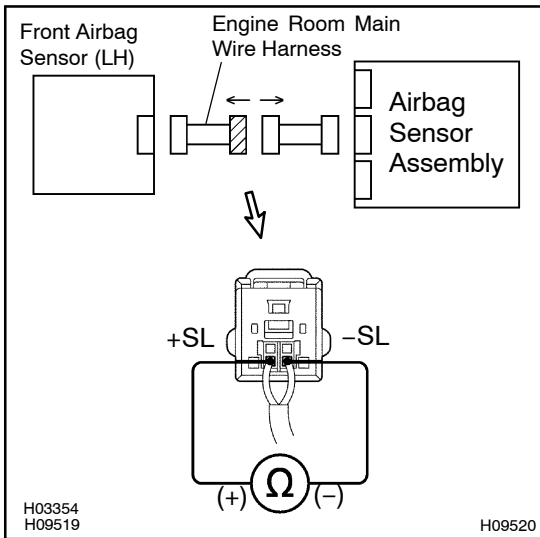
Resistance: 1 MΩ or Higher

NG

Repair or replace engine room main wire harness.

OK

Repair or replace harness or connector between airbag sensor assembly and engine room main wire harness.

10 Check engine room main wire harness.**PREPARATION:**

Disconnect the engine room main wire harness connector on the airbag sensor assembly side.

CHECK:

For the connector (on the engine room main wire harness side) between the airbag sensor assembly and the engine room main wire harness, measure the resistance between +SL and -SL.

OK:

Resistance: 1 MΩ or Higher

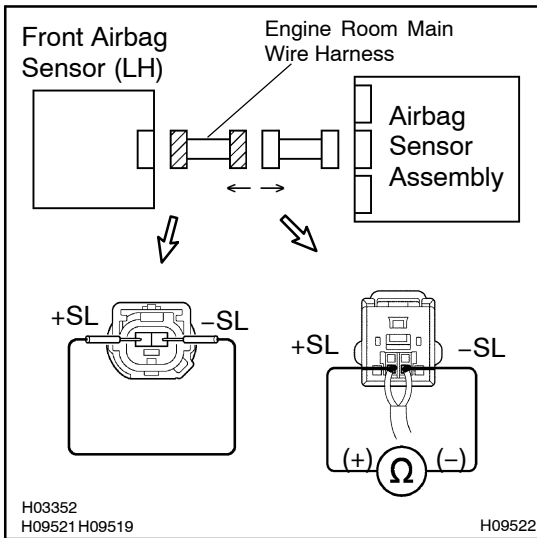
NG

Repair or replace engine room main wire harness.

OK

Repair or replace harness or connector between airbag sensor assembly and engine room main wire harness.

11 Check engine room main wire harness.



PREPARATION:

- Disconnect the engine room main wire harness connector on the airbag sensor assembly side.
- Using a service wire, connect +SL and -SL of the connector (on the engine room main wire harness side) between the engine room main wire harness and the front airbag sensor (LH).

CHECK:

For the connector (on the engine room main wire harness side) between the airbag sensor assembly and the engine room main wire harness, measure the resistance between +SL and -SL.

OK:

Resistance: Below 1 Ω

NG

Repair or replace engine room main wire harness.

OK

Repair or replace harness or connector between airbag sensor assembly and engine room main wire harness.