

DTC	B1165/87	Short in Curtain Shield Squib (LH) Circuit
------------	-----------------	---

CIRCUIT DESCRIPTION

The curtain shield squib (LH) circuit consists of the airbag sensor assy center and curtain shield airbag assy (LH).

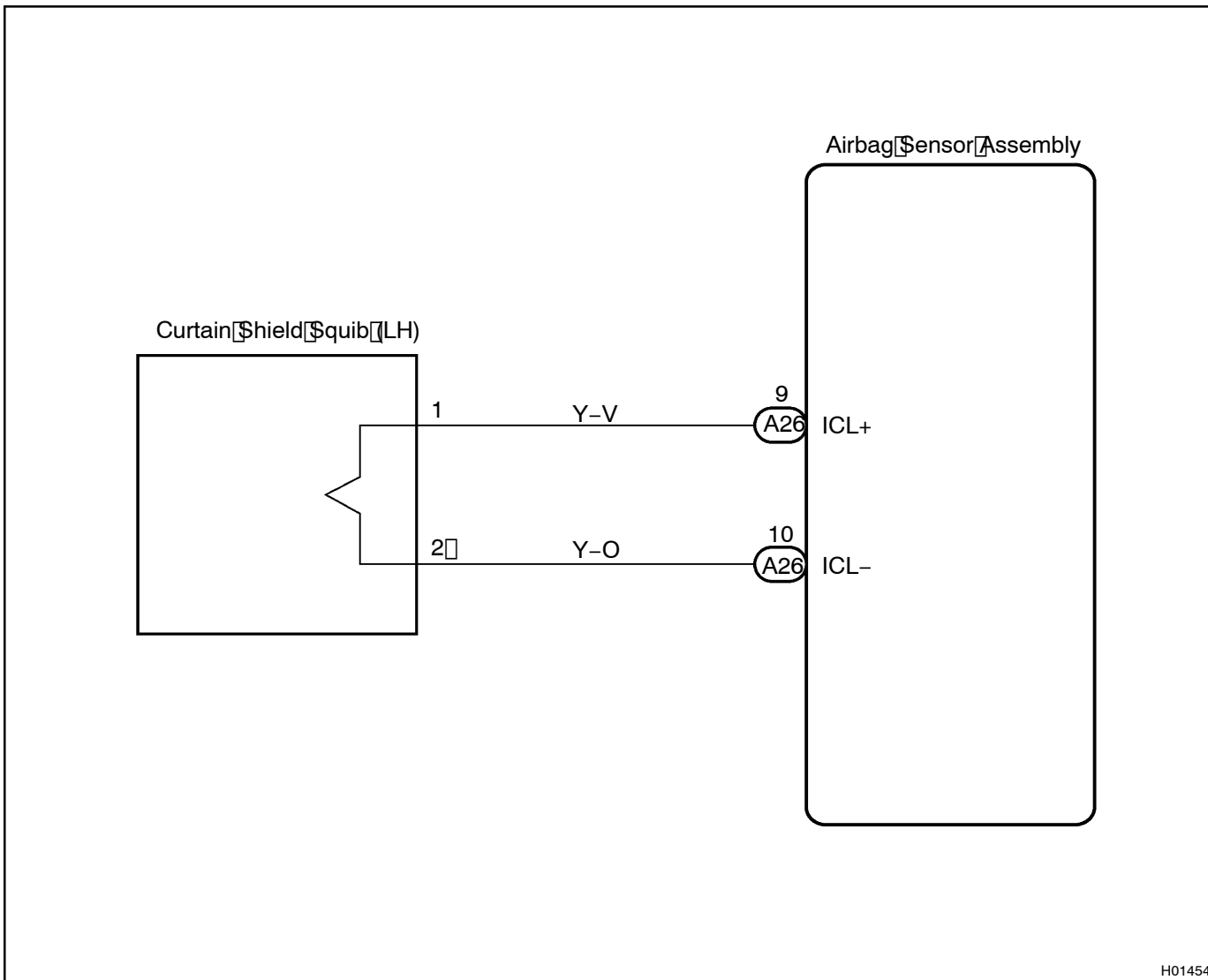
It causes the SRS to deploy when the SRS deployment conditions are satisfied.

For details of the function of each component, see OPERATION on page RS-2.

DTC B1165/87 is recorded when a short is detected in the curtain shield squib (LH) circuit.

DTC No.	DTC Detecting Condition	Trouble Area
B1165/87	<ul style="list-style-type: none"> • Short circuit between ICL+ wire harness and ICL- wire harness of squib • Curtain shield squib (LH) malfunction • Airbag sensor assy center malfunction 	<ul style="list-style-type: none"> • Curtain shield airbag assy (LH) • Airbag sensor assy center • Wire harness

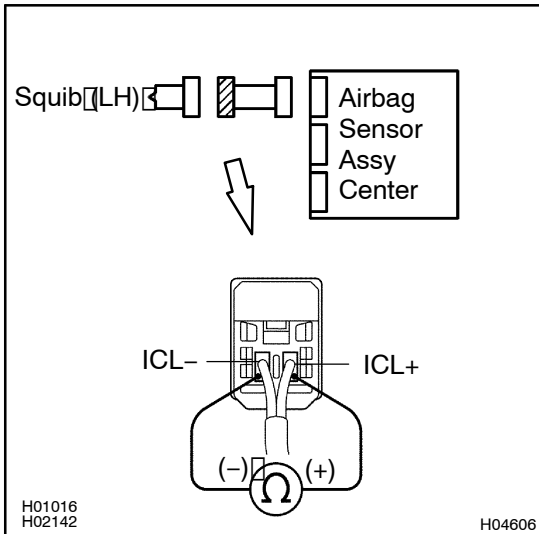
WIRING DIAGRAM



INSPECTION PROCEDURE

1 Prepare for inspection (See Pub. No. RM776E on page DI-40).

2 Check curtain shield squib (LH) circuit.

**PREPARATION:**

Release the airbag activation prevention mechanism of the connector (on the airbag sensor assy center side) between the airbag sensor assy center and the curtain shield airbag assy (LH) (See page DI-413).

CHECK:

For the connector (on the curtain shield airbag assy side) between the curtain shield airbag assy (LH) and the airbag sensor assy center, measure the resistance between ICL+ and ICL-.

OK:

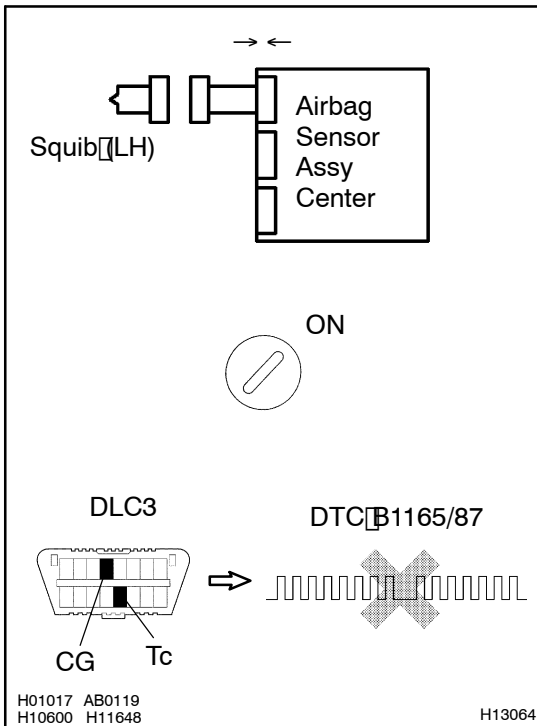
Resistance: 1 MΩ or Higher

NG

Repair or replace harness or connector between curtain shield airbag assy (LH) and airbag sensor assy center.

OK

3 Check airbag sensor assy center.



PREPARATION:

- Connect the connector to the airbag sensor assy center.
- Connect negative (-) terminal cable to the battery, and wait at least for 2 seconds.

CHECK:

- Turn the ignition switch to ON and wait at least for 20 seconds.
- Clear the DTC stored in memory (See page DI-413).
- Turn the ignition switch to LOCK, and wait at least for 20 seconds.
- Turn the ignition switch to ON, and wait at least for 20 seconds.
- Check the DTC (See page DI-413).

OK:

DTC B1165/87 is not output.

HINT:

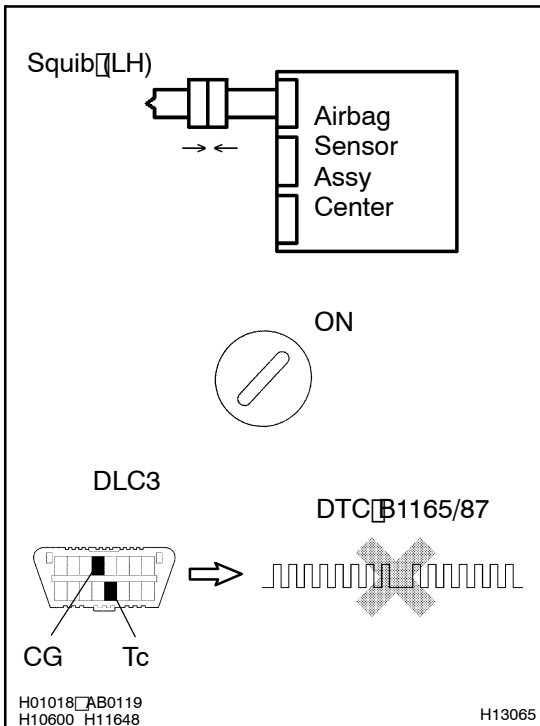
Codes other than code B1165/87 may be output at this time, but they are not relevant to this check.

NG

Replace airbag sensor assy center.

OK

4 Check curtain shield squib (LH).



PREPARATION:

- Turn the ignition switch to LOCK.
- Disconnect the negative (-) terminal cable from the battery, and wait at least for 90 seconds.
- Connect the curtain shield airbag assy (LH) connector.
- Connect the negative (-) terminal cable to the battery, and wait at least for 2 seconds.

CHECK:

- Turn the ignition switch to ON, and wait at least for 20 seconds.
- Clear the DTC stored in memory (See page DI-413).
- Turn the ignition switch to LOCK, and wait at least for 20 seconds.
- Turn the ignition switch to ON, and wait at least for 20 seconds.
- Check the DTC (See page DI-413).

OK:

DTC B1165/87 is not output.

HINT:

Codes other than code B1165/87 may be output at this time, but they are not relevant to this check.

NG

Replace curtain shield airbag assy (LH).

OK

From the results of the above inspection, the malfunctioning part can now be considered normal. To make sure of this, use the simulation method to check.