

Taillight Control Relay Circuit

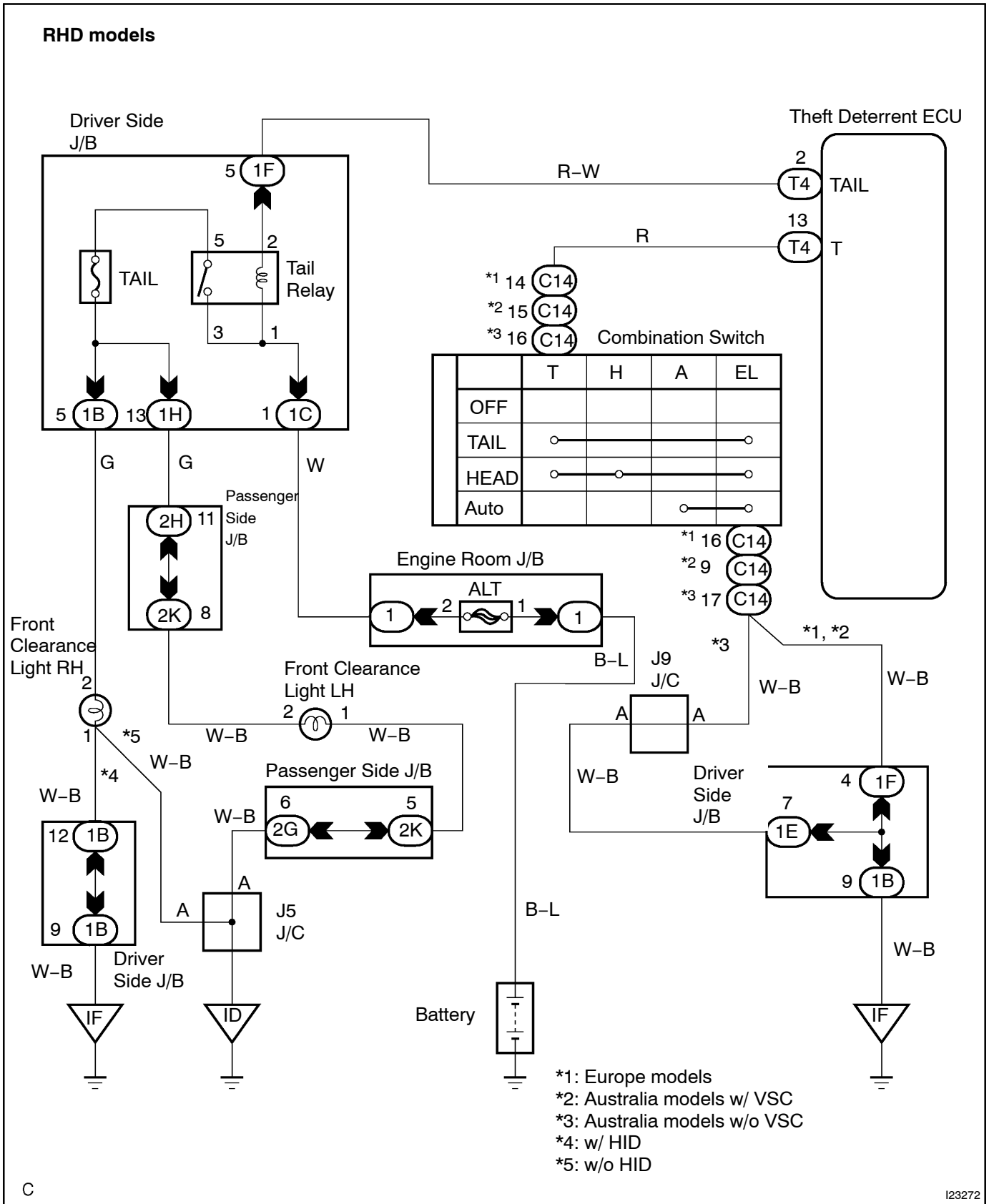
CIRCUIT DESCRIPTION

When the theft deterrent system is activated, it causes the transistor in the ECU to switch ON and OFF at approximately 0.4 sec. intervals. This switches the taillight control relay ON and OFF, thus flashing the taillights (See the wiring diagram below).

In this condition, if any of the following operations is done, the transistor in the ECU goes OFF and the taillight control relay switches OFF, thus stopping the taillights flashing:

- (1) Unlock the front LH or RH door with a key. (Except Europe Models)
- (2) Turn the ignition switch to ON position. (Except Europe Models)
- (3) Unlock the doors with the wireless door lock control system.
- (4) Wait for approximately 60 seconds.

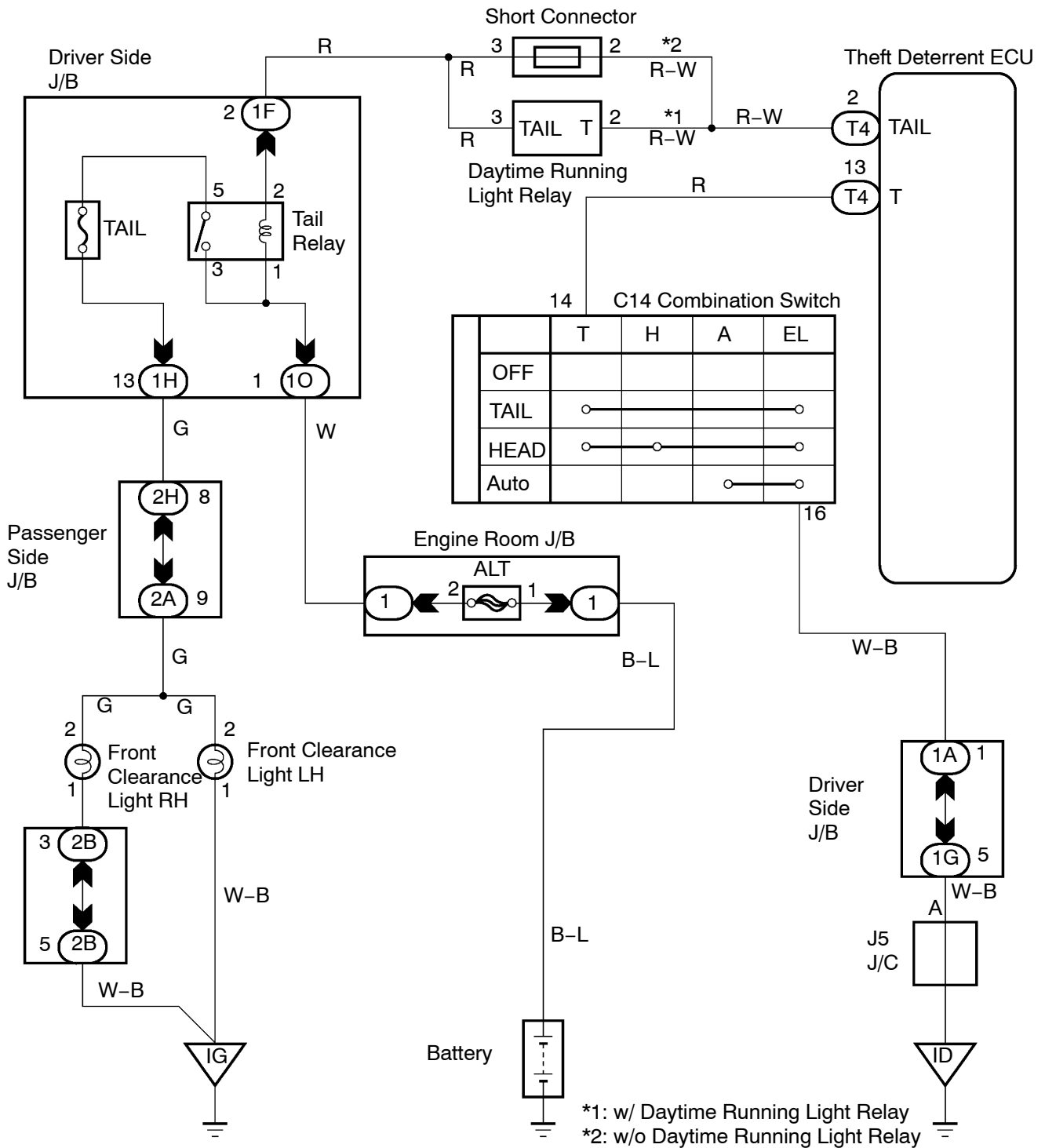
WIRING DIAGRAM



C

123272

LHD models



C

123273

INSPECTION PROCEDURE

HINT:

The flow chart below is based on the premise that the taillights light up normally whenever the light control switch is operated. If taillight operation is not normal when the light control switch is operated, proceed to troubleshooting on [page BE-2](#).

In case of using the hand-held tester, start the inspection from step 1 and in case of not using the hand-held tester, start from step 2.

1 Check tail light relay using hand-held tester.

PREPARATION:

Connect the hand-held tester to the DLC3.

CHECK:

Check that the taillight relay can operate in an ACTIVE TEST.

HINT:

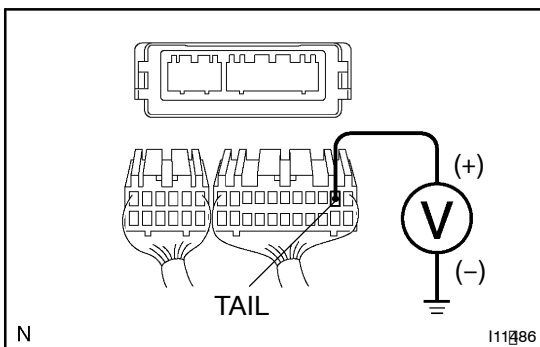
If the headlight relay is normal, the headlight comes "ON". In the case that the headlight relay activates but the headlight will not come on, check the headlight circuit.

OK

Proceed to next circuit inspection shown in problem/symptoms table ([See page DI-480](#)).

NG

2 Check voltage between terminal TAIL of theft deterrent ECU connector and body ground.



PREPARATION:

Disconnect the theft deterrent ECU connector.

CHECK:

Measure voltage between terminal TAIL of theft deterrent ECU connector and body ground.

OK:

Voltage: 10~14V

NG

Check and repair harness and connector between theft deterrent ECU and taillight control relay ([See page IN-34](#)).

OK

Check and replace theft deterrent ECU ([See page IN-34](#)).