

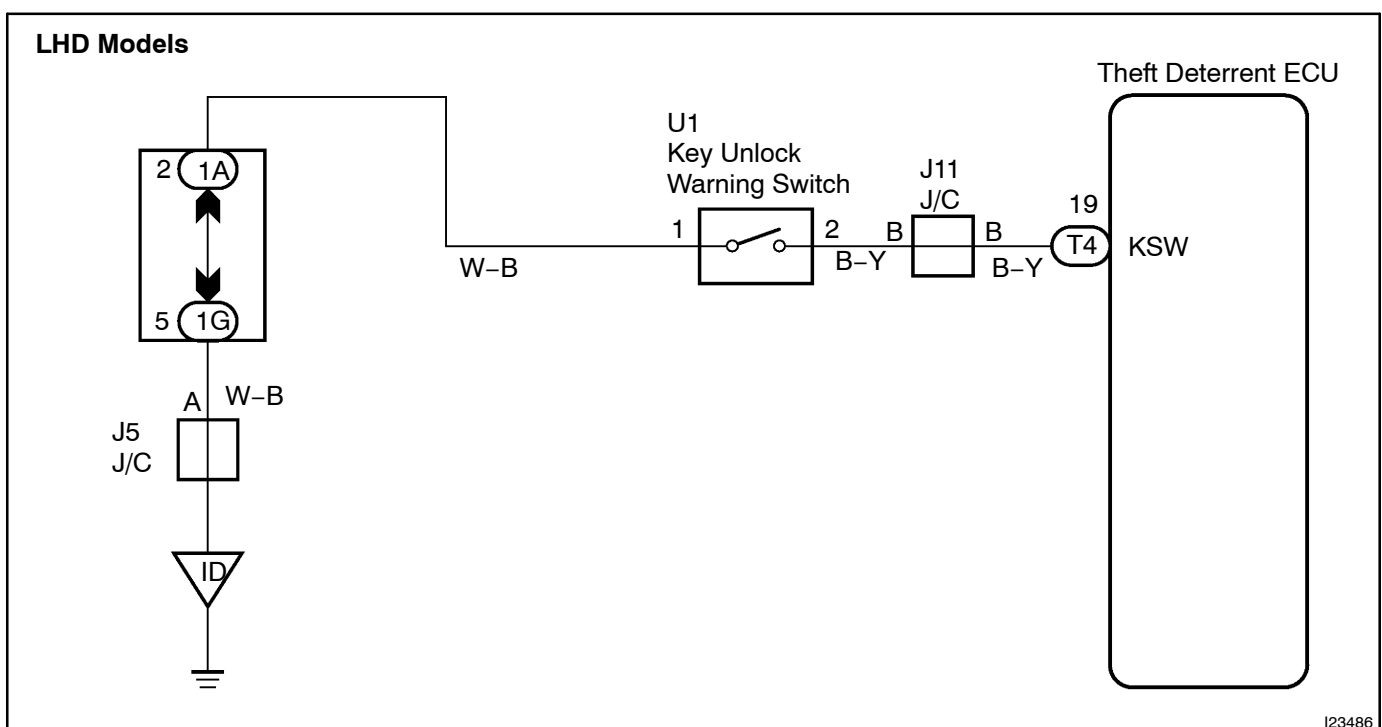
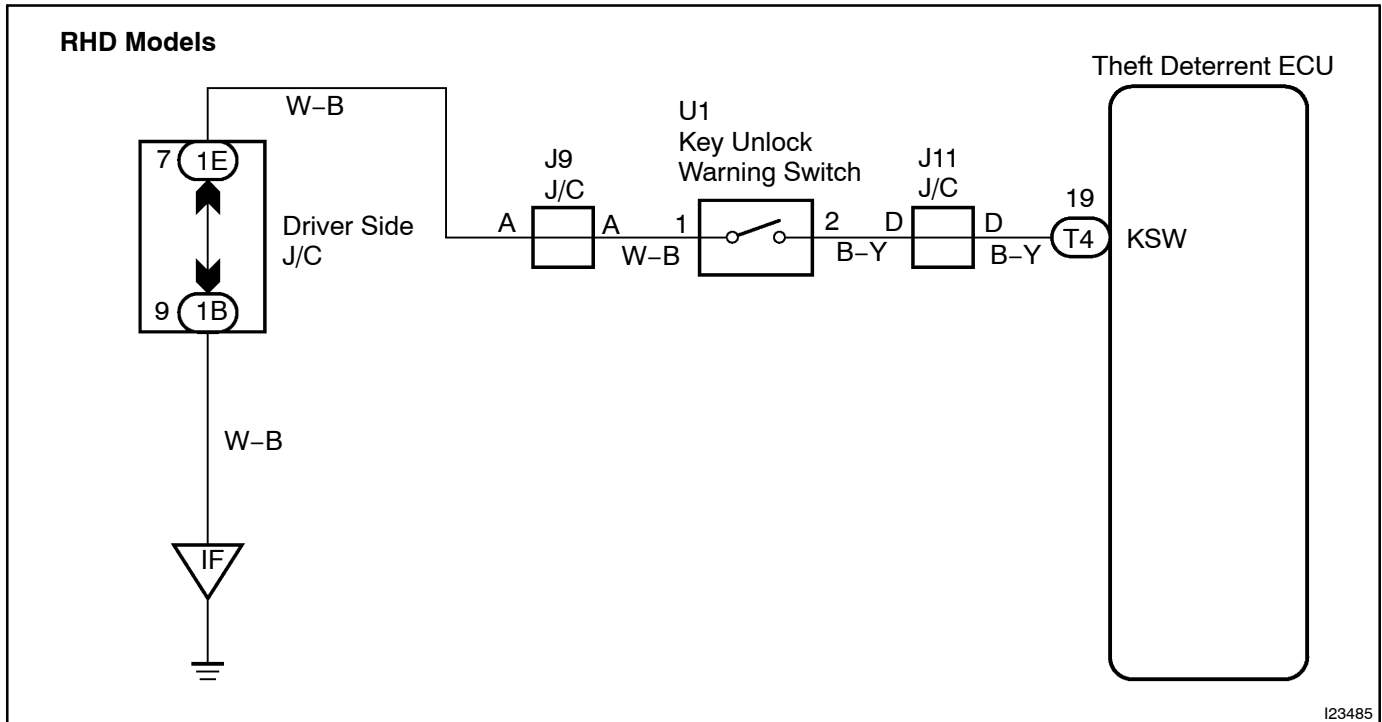
Key Unlock Warning Switch Circuit

CIRCUIT DESCRIPTION

The key unlock warning switch goes ON when the ignition key is inserted in the key cylinder and goes OFF when the ignition key is removed.

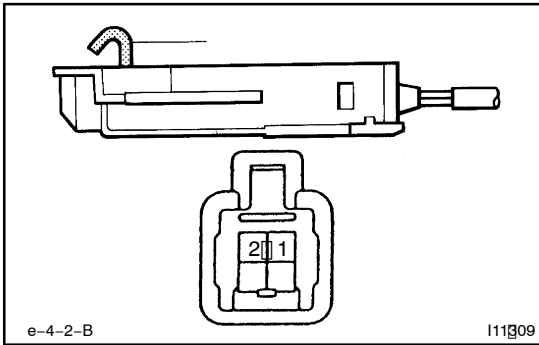
The ECU operates the key confinement prevention function while the key unlock warning switch is ON.

WIRING DIAGRAM



INSPECTION PROCEDURE

1 Check key unlock warning switch.

**PREPARATION:**

Disconnect key unlock warning switch connector.

CHECK:

Check continuity between terminal 1 and 2 of key unlock warning switch connector, when the key is inserted into the key cylinder or removed.

OK:

| Switch position | Tester connection | Specified condition |
|-------------------|-------------------|---------------------|
| ON (Key inserted) | 1 - 2 | Continuity |
| OFF (Key removed) | - | No continuity |

NG

Replace key unlock warning switch.

OK

2 Check harness and connectors between ECU and key unlock warning switch, key unlock warning switch and body ground (See page IN-34).

NG

Repair or replace harness or connector.

OK

Check and replace theft deterrent ECU.*1

*1: When there is a malfunction that the theft deterrent system cannot be set, proceed to the next numbered circuit inspection shown in problem/symptom table (See page DI-480).