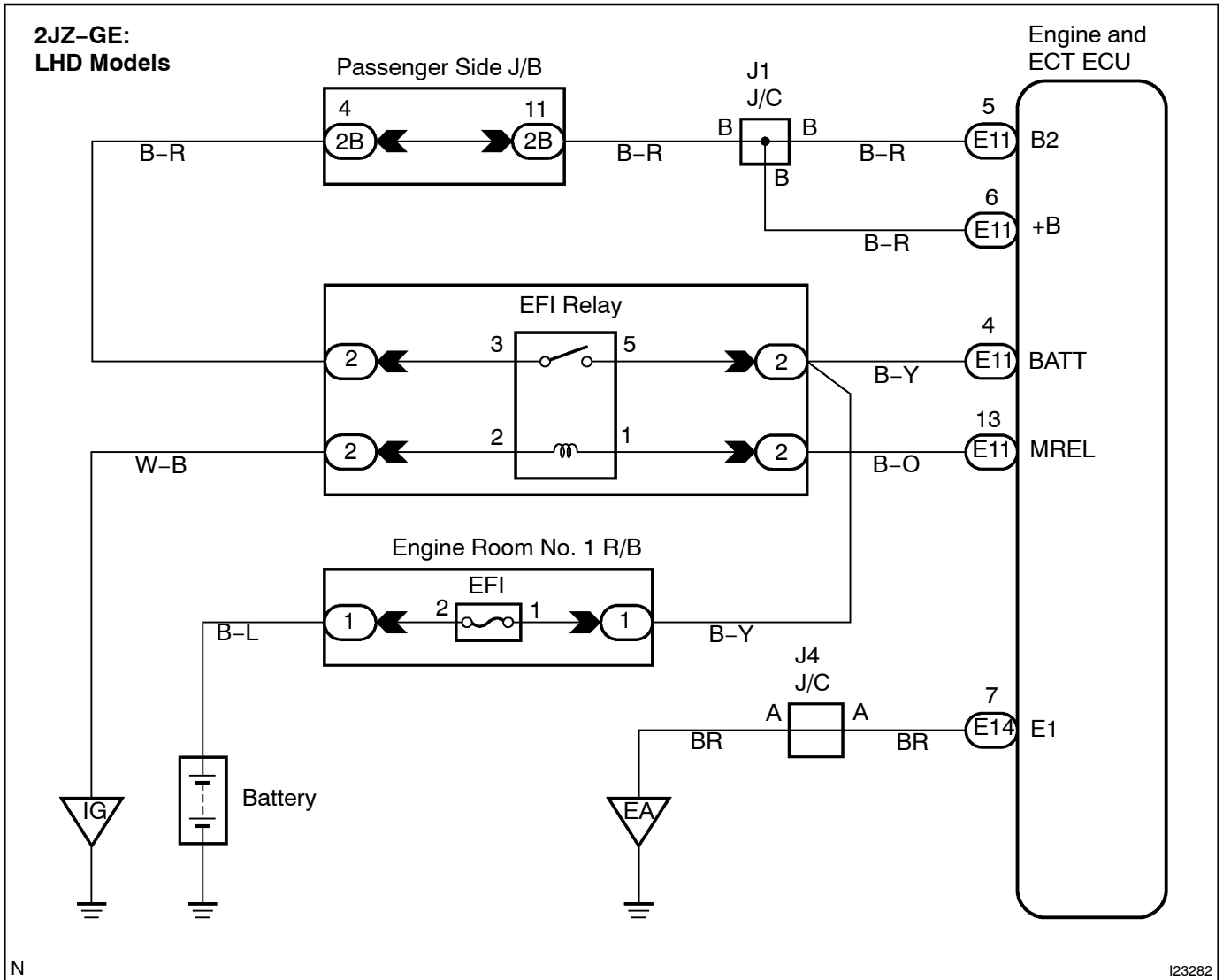


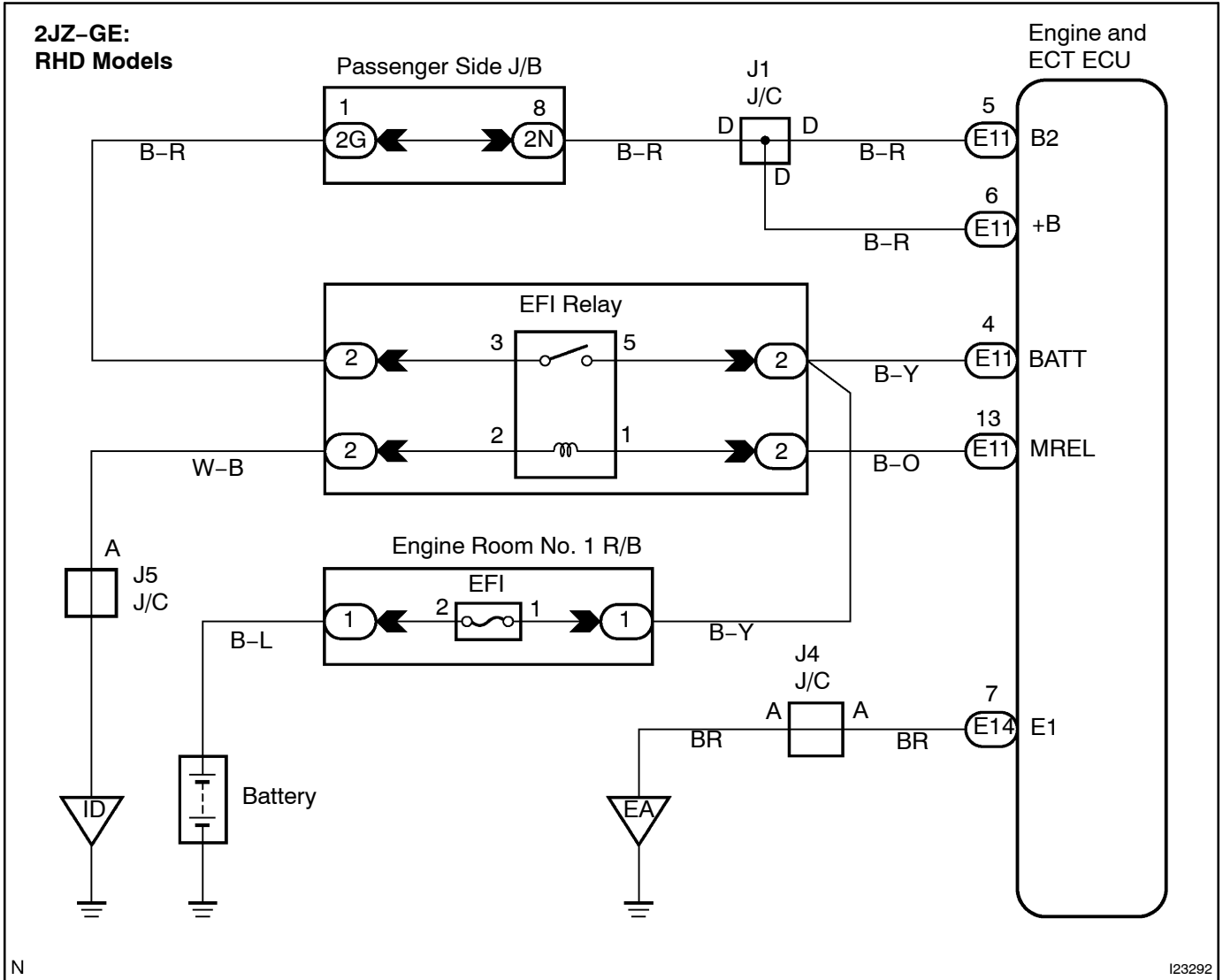
# Power source circuit

## CIRCUIT DESCRIPTION

This circuit provides power to operate the Engine and ECT ECU.

## WIRING DIAGRAM





**INSPECTION PROCEDURE**

1 Check IGN and EFI fuse.

**CHECK:**

Check continuity of IGN and EFI fuse.

**OK:**

Continuity

NG

Replace the failure fuse.

OK

2 Check voltage between terminals GSW, BATT and GND of Engine and ECT ECU connector (See page N-34).

**PREPARATION:**

(a) Turn ignition switch OFF.

(b) Disconnect the Engine and ECT ECU connector.

**CHECK:**

Measure voltage between terminals GSW, BATT and GND

**OK:**

Voltage: 10 - 14 V

OK

Proceed to next circuit inspection shown in problem symptoms table (See page DI-522).

NG

3 Check wire harness and connector between Engine and ECT ECU and body ground (See page N-34).

NG

Repair or replace wire harness or connector.

OK

Check and repair wire harness and connector between Engine and ECT ECU and battery (See page N-34).