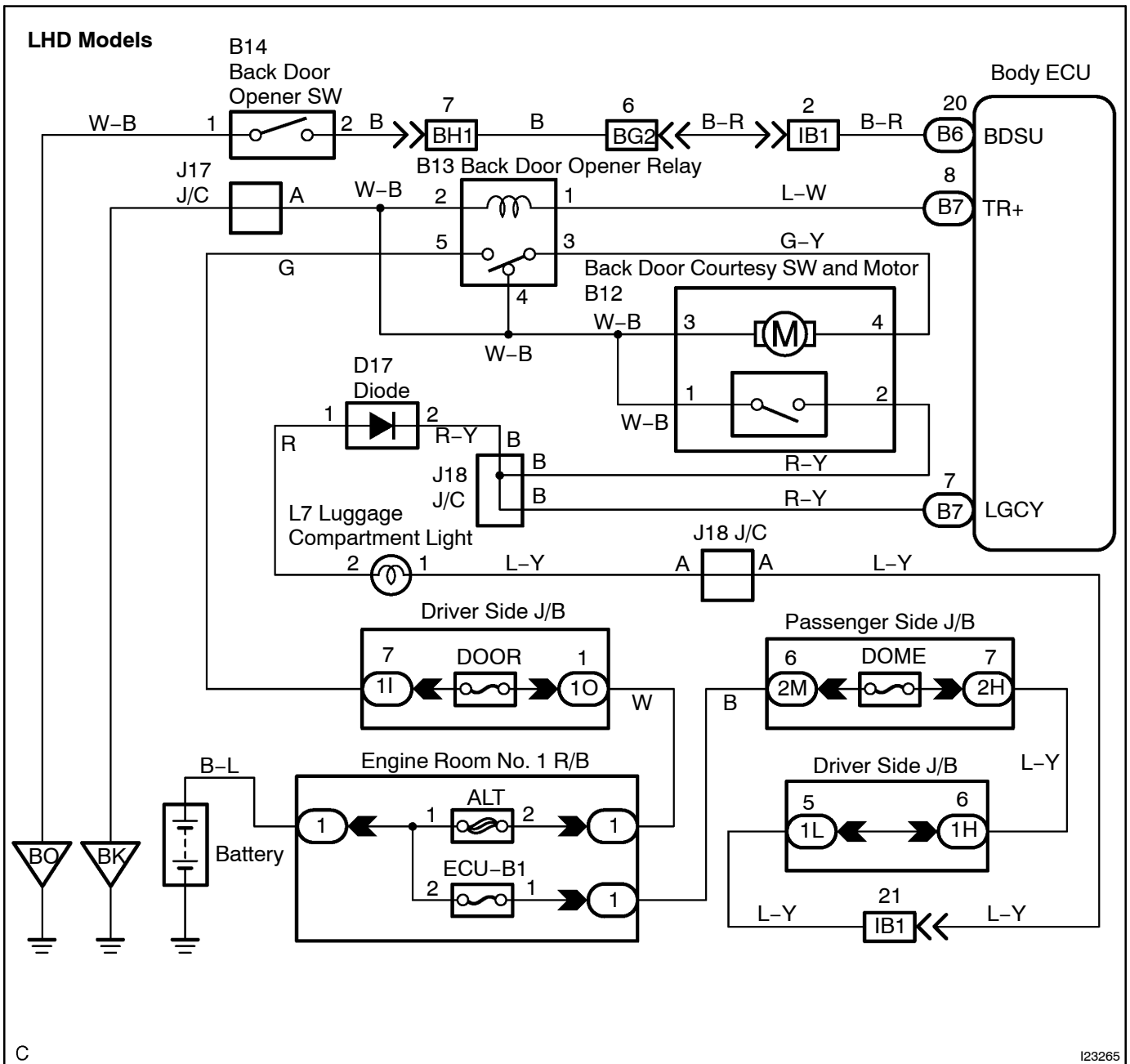
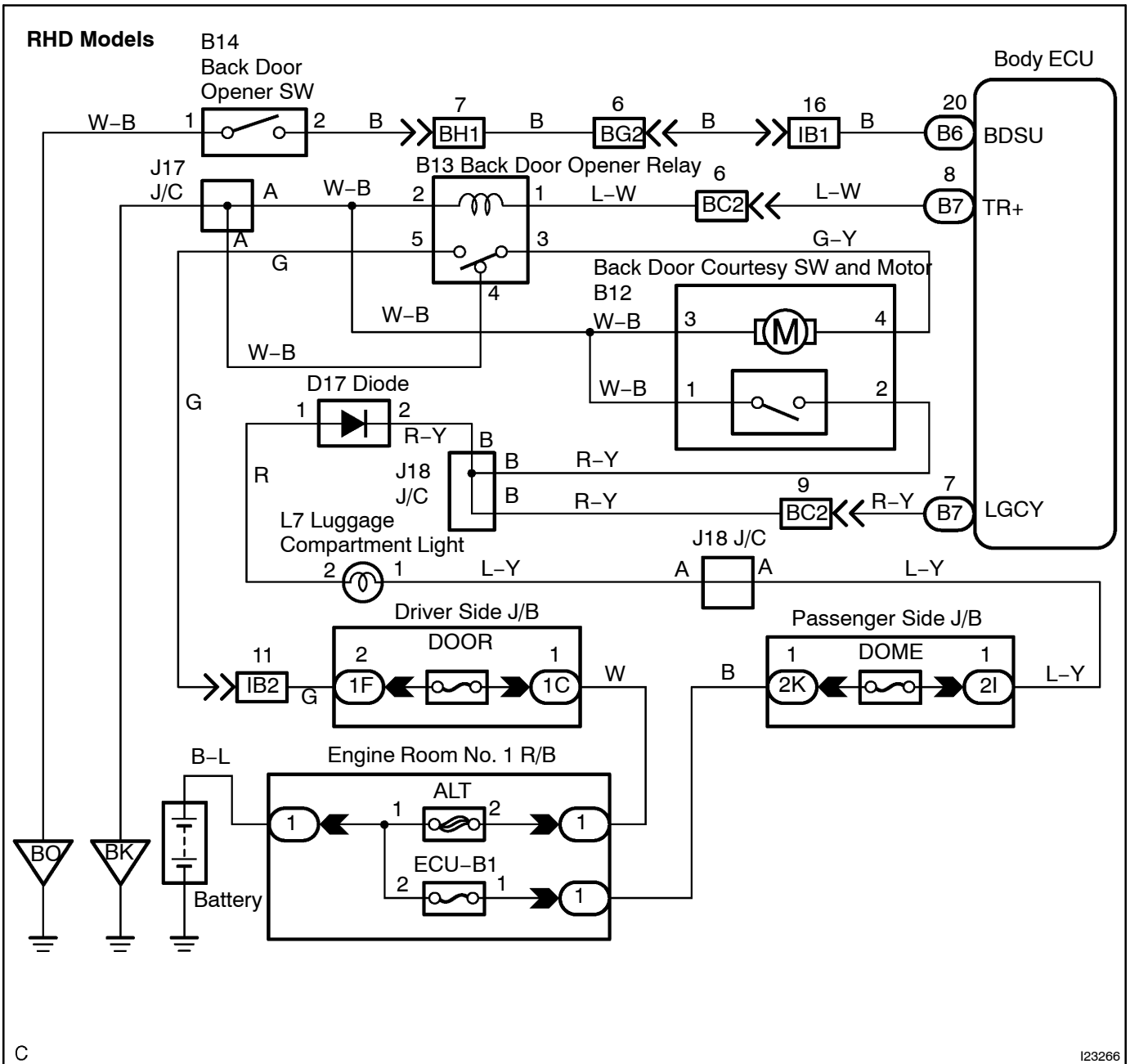


Back door opener relay and motor

WIRING DIAGRAM





INSPECTION PROCEDURE

HINT:

In case of using the hand-held tester, start the inspection from step 1 and in case of not using the hand-held tester, start from step 2.

1 Check back door opener motor using hand-held tester.

PREPARATION:

Connect the hand-held tester to the DLC3.

CHECK:

Check that the back door opener motor can operate in an ACTIVE TEST.

OK

Proceed to next circuit inspection shown on problem symptoms table. (See page DI-555)

NG

2 Check back door opener motor. (See page BE-43)

NG

Replace the back door opener motor.

OK

3 Check wire harness and connector between back door opener motor and Body ECU, between back door opener switch and Body ECU, and back door opener relay and Body ECU.

NG

Repair or replace wire harness or connector.

OK

Proceed to next circuit inspection shown on problem symptoms table. (See page DI-555)