

CIRCUIT INSPECTION

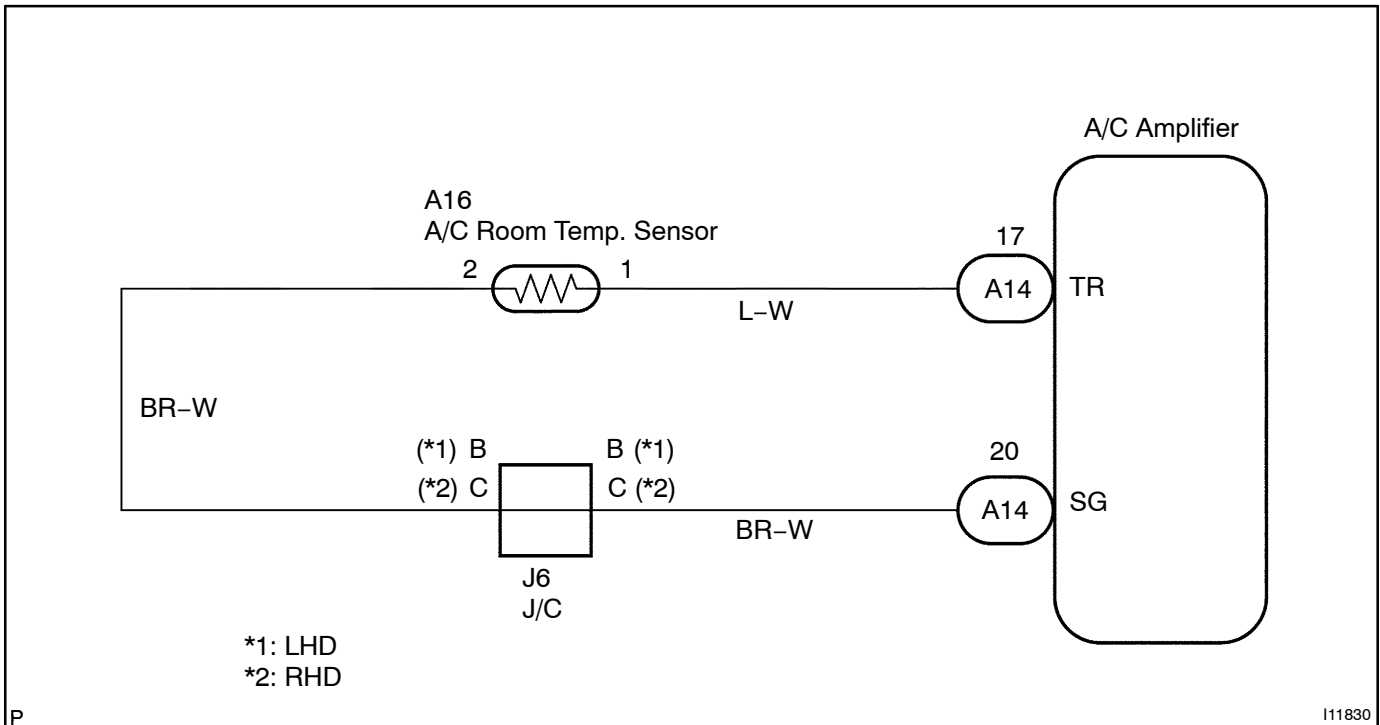
DTC	B1411	Room Temperature Sensor Circuit
------------	--------------	--

CIRCUIT DESCRIPTION

This sensor detects the temperature inside the cabin and sends the appropriate signals to the A/C amplifier.

DTC No.	Detection Item	Trouble Area
B1411	Open or short in room temperature sensor circuit.	<ul style="list-style-type: none"> Room temperature sensor. harness or connector between room temperature sensor and A/C amplifier. A/C amplifier.

WIRING DIAGRAM



INSPECTION PROCEDURE

HINT:

In case of using the hand-held tester, start the inspection step 1 and in case of not using the hand-held tester, start from step 2.

1 Check room temp. sensor using hand-held tester.

PREPARATION:

Connect the hand-held tester to the DLC3.

CHECK:

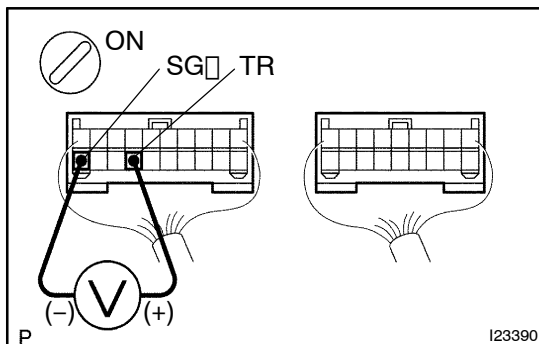
Check the room temp. sensor using DATA LIST.

OK

Check and replace A/C amplifier.

NG

2 Check voltage between terminals TR and SG of A/C amplifier connector.



PREPARATION:

Remove A/C amplifier with connectors still connected.

CHECK:

- Turn ignition switch to ON.
- Measure voltage between terminals TR and SG of A/C amplifier connector at each temperature.

OK:

Voltage

at 25°C (77°F) 1.8 - 2.2V

at 40°C (104°F) 1.2 - 1.6V

HINT:

As the temperature increases, the voltage decreases.

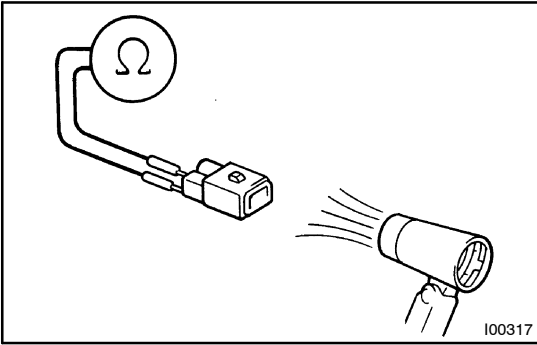
NG

Go to step 3.

OK

Proceed to next circuit inspection shown on problem symptoms table (See page DI-612). However, if DTC B1411 is displayed, check and replace A/C amplifier.

3 Check room temperature sensor.



PREPARATION:

Remove room temperature sensor.

CHECK:

Measure resistance between terminals 1 and 2 of room temperature sensor connector at each temperature.

OK:

Resistance

at 25°C (77°F) 1.65 – 1.75 KΩ

at 50°C (122°F) 0.55 – 0.65 KΩ

HINT:

As the temperature increases, the resistance decreases.

NG

Replace room temperature sensor.

OK

4 Check harness and connector between A/C amplifier and room temperature sensor (See page IN-34).

NG

Repair or replace harness or connector.

OK

Check and replace A/C amplifier.