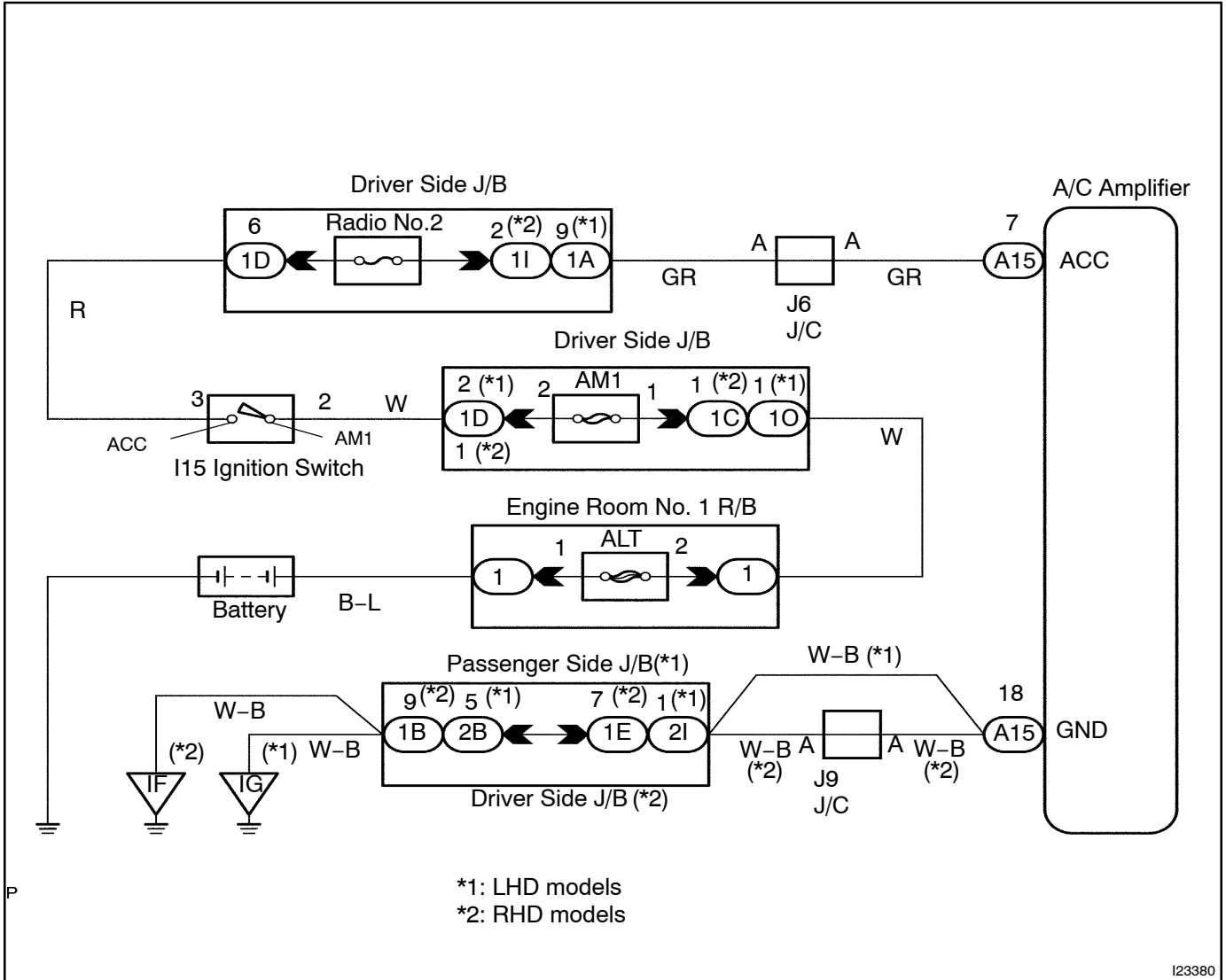


ACC Power Source Circuit

CIRCUIT DESCRIPTION

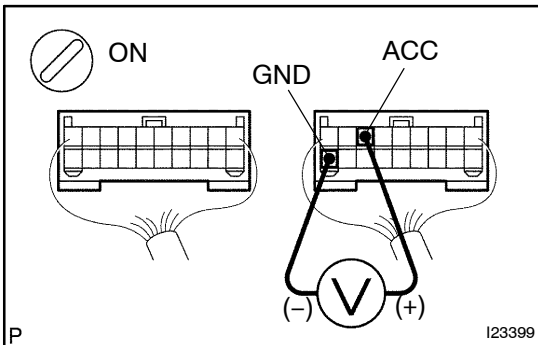
This is the power source for A/C amplifier and servomotors, etc.

WIRING DIAGRAM



INSPECTION PROCEDURE

1 Check voltage between terminals ACC and GND of A/C amplifier connector.

**PREPARATION:**

Remove A/C amplifier with connectors still connected.

CHECK:

- (a) Turn ignition switch to AAC.
- (b) Measure voltage between terminals ACC and GND of A/C amplifier.

OK:

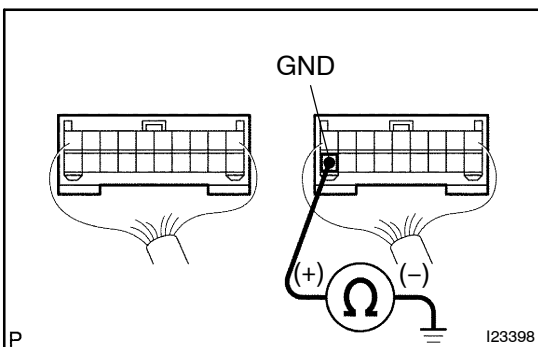
Voltage : Battery voltage

OK

Proceed to next circuit inspection shown on problem symptoms table (See page DI-612).

NG

2 Check continuity between terminal GND of A/C amplifier and body ground.

**CHECK:**

Measure resistance between terminal GND of A/C amplifier and body ground.

OK:

Resistance : 0 Ω (continuity)

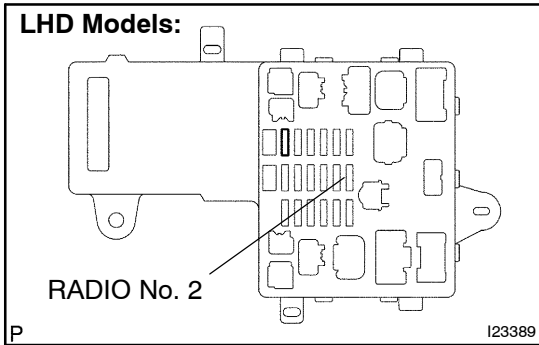
NG

Repair or replace harness or connector.

OK

3 Check RADIO No.2 fuse.

LHD Models:



PREPARATION:

Remove RADIO No.2 fuse from driver side J/B.

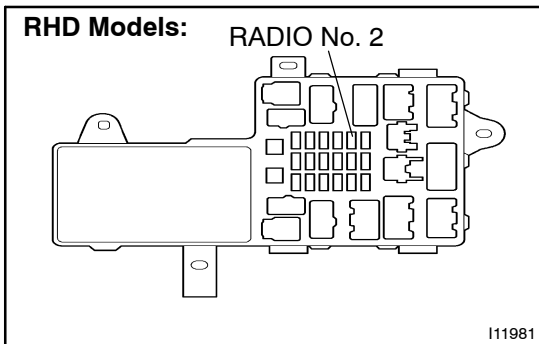
CHECK:

Check continuity of RADIO No.2.

OK:

Continuity

RHD Models:



NG

Check for short in all the harness and components connected to the RADIO No.2 fuse (See attached wiring diagram).

OK

Check and repair harness and connector between A/C amplifier and battery.