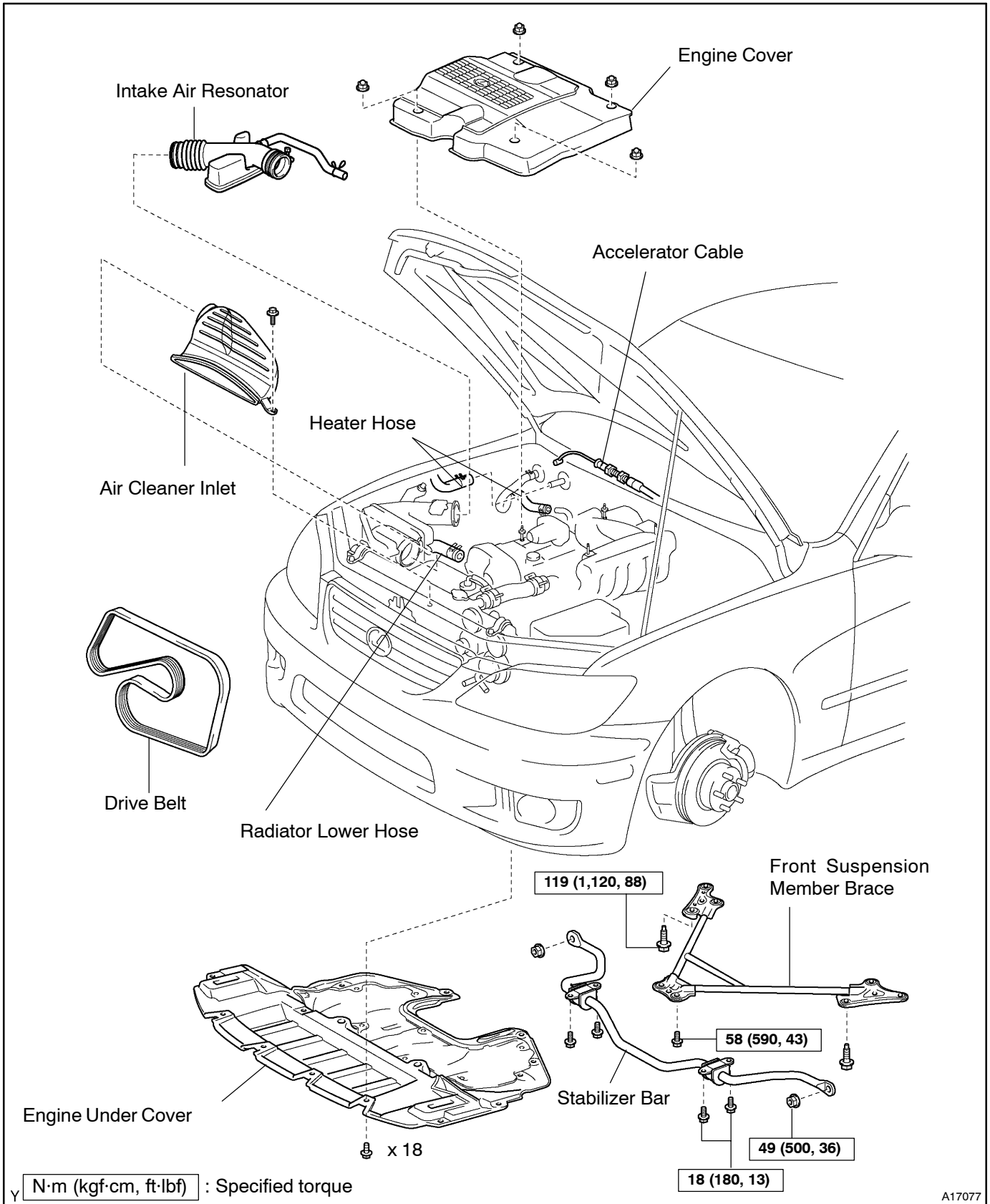
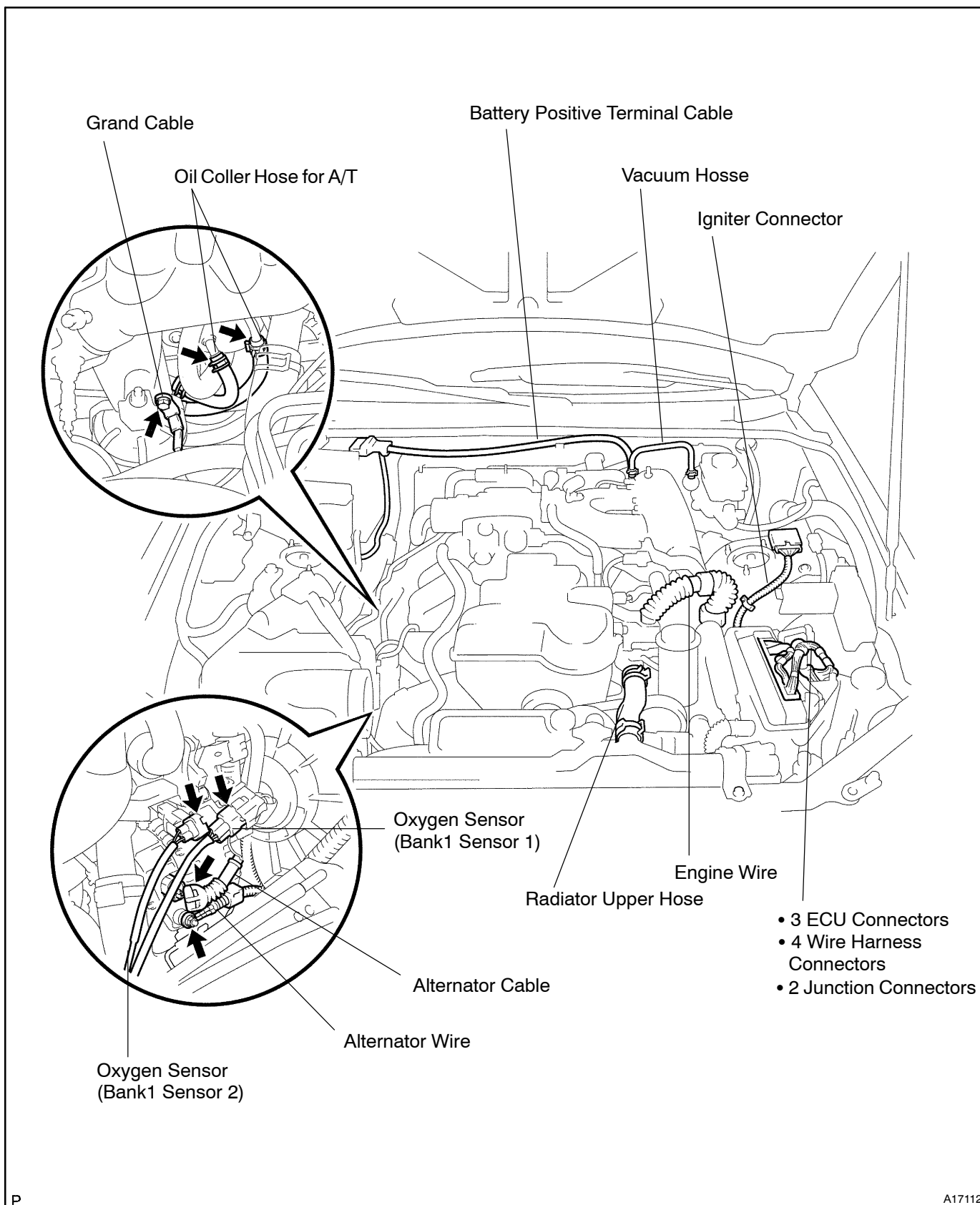


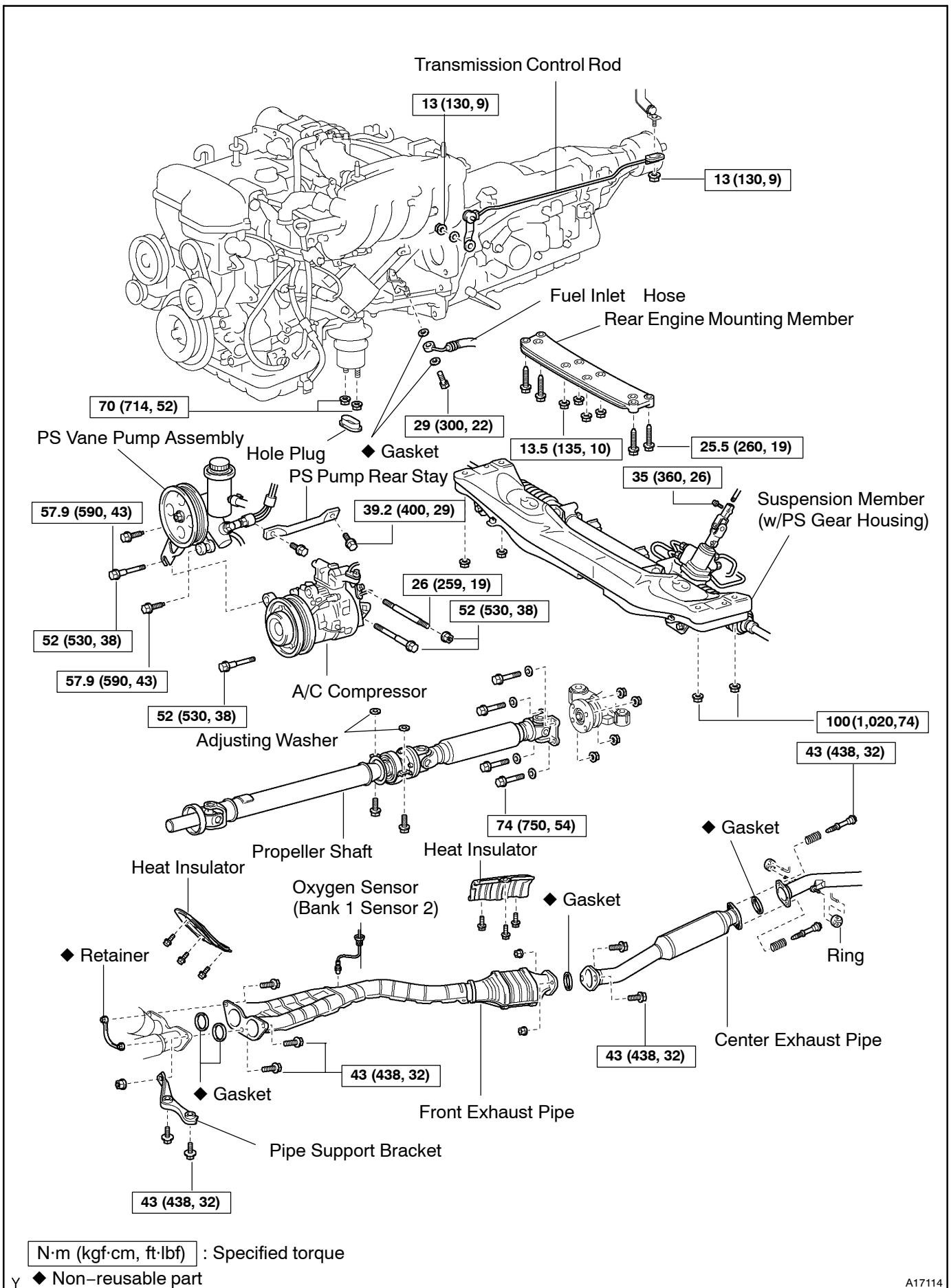
# ENGINE UNIT COMPONENTS

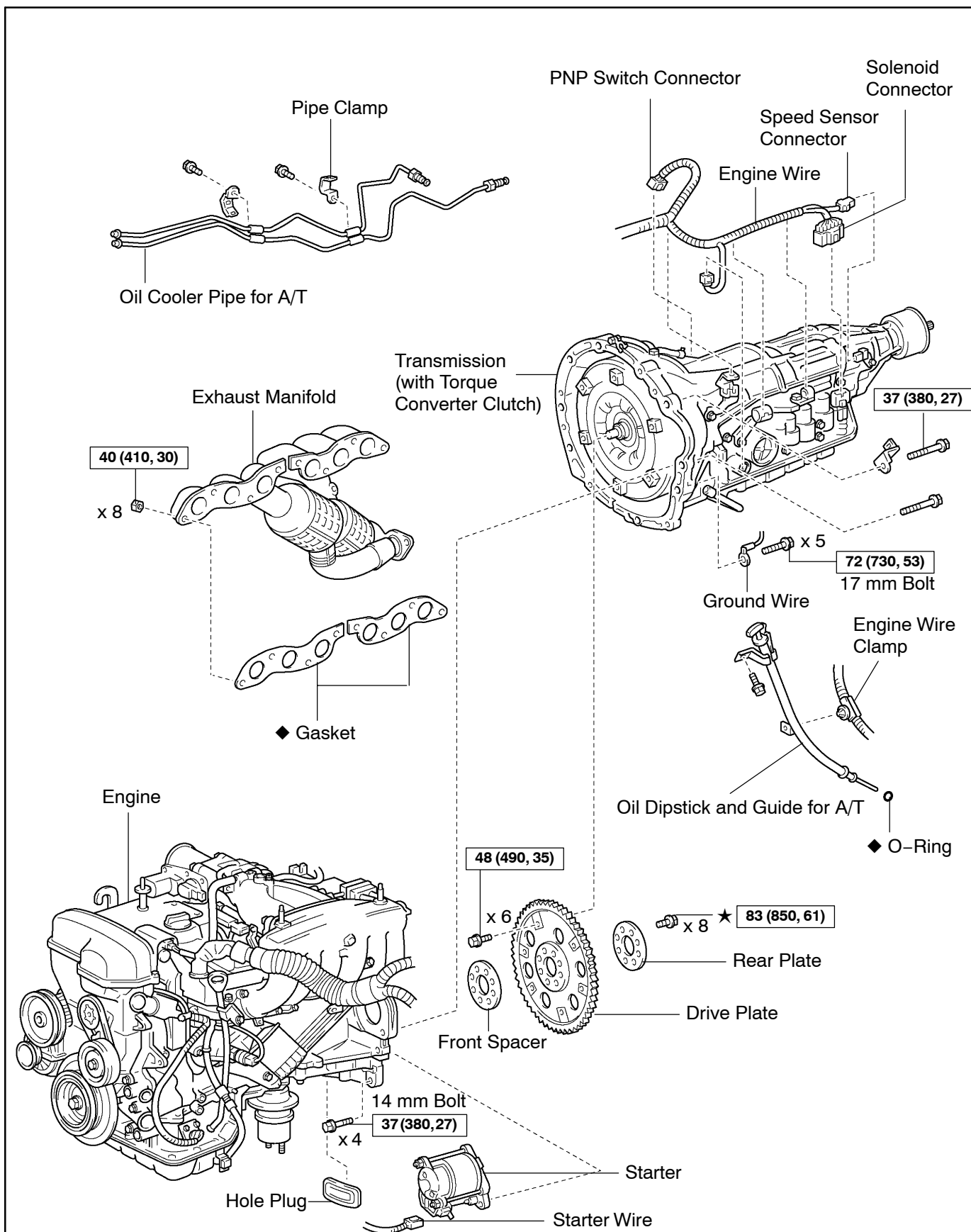
EM1S7-01



A17077







**N·m (kgf·cm, ft·lbf) : Specified torque**

◆ Non-reusable part

γ ★ Precoated part