

REMOVAL

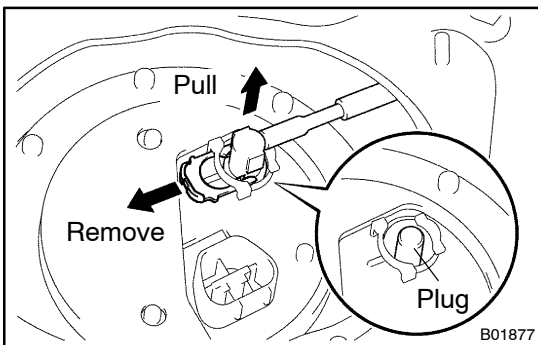
CAUTION:

Do not smoke or work near an open flame when working the fuel pump.

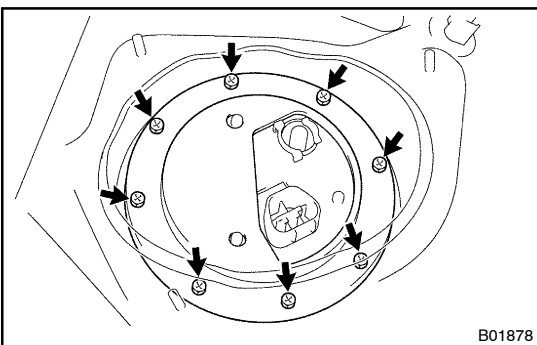
1. REMOVE REAR SEAT CUSHION
2. REMOVE FLOOR SERVICE HOLE COVER
Remove the 3 cap nuts and service hole cover.
3. DISCONNECT FUEL PUMP AND SENDER GAUGE CONNECTOR
4. DISCONNECT FUEL TANK MAIN TUBE (FUEL TUBE CONNECTOR) FROM FUEL SECTION PLATE

CAUTION:

- Perform disconnecting operation of the fuel tube connector (quick type) after observing precaution (See page FI-1).
- As there is retained pressure in the fuel line, prevent it from splashing inside the vehicle compartment.

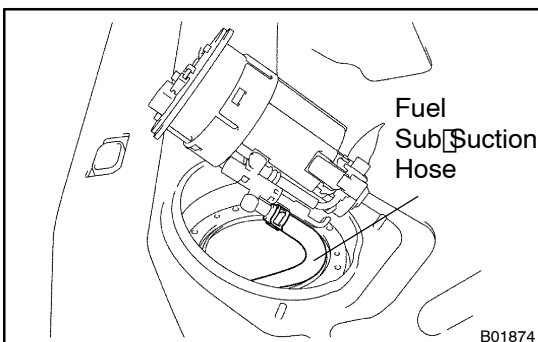


- (a) Remove the tube joint clip.
- (b) Pull out the fuel main tube.
- (c) Plug the port of the fuel suction plate with a clean rubber cap.



5. REMOVE FUEL PUMP AND SENDER GAUGE ASSEMBLY FROM FUEL TANK

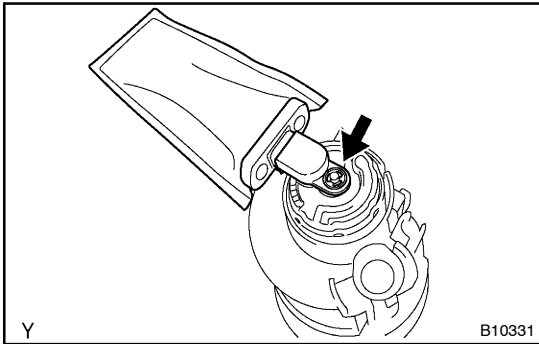
- (a) Remove the 8 bolts and fuel tank vent tube set plate.



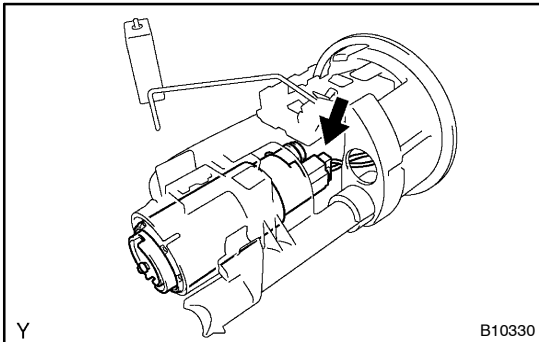
- (b) Lift up the fuel pump and sender gauge assembly, and disconnect the fuel sub suction hose from the fuel return jet tube and remove the fuel pump, sender gauge assembly and gasket.

6. REMOVE NO.2 FUEL SUCTION SUPPORT (See page FI-17)

7. REMOVE FUEL PRESSURE REGULATOR AND FUEL RETURN JET TUBE ASSEMBLY (See page FI-17)

**8. REMOVE FUEL SUCTION FILTER**

- (a) Remove the clip.
- (b) Pull out the suction filter.

**9. REMOVE FUEL PUMP**

- (a) Disconnect the fuel pump connector from the fuel pump.
- (b) Pull out the fuel pump.