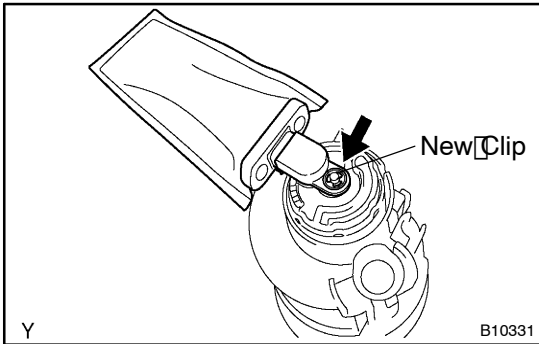


INSTALLATION

1. INSTALL FUEL PUMP

- (a) Apply a light coat of gasoline to the O-ring.
- (b) Push in the fuel pump.
- (c) Connect the fuel pump connector.

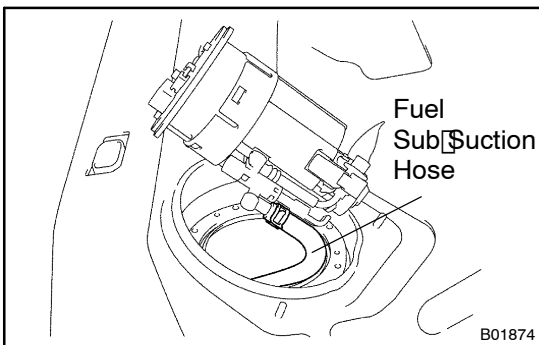


2. INSTALL FUEL SUCTION FILTER

Install the suction filter with a new clip.

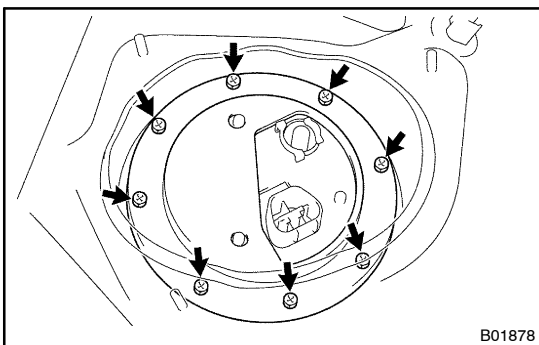
3. INSTALL FUEL PRESSURE REGULATOR AND FUEL RETURN JET TUBE ASSEMBLY (See page FI-18)

4. INSTALL NO.2 FUEL SUCTION SUPPORT (See page FI-18)

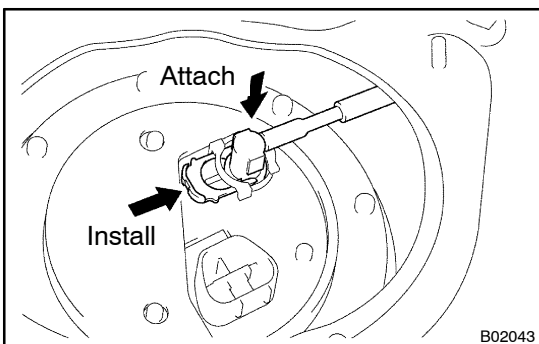


5. INSTALL FUEL PUMP AND SENDER GAUGE ASSEMBLY TO FUEL TANK

- (a) Install a new gasket to the fuel suction plate.
- (b) Connect the fuel sub suction hose to the fuel return jet tube.
- (c) Attach the fuel pump and sender gauge assembly to the fuel tank.



- (d) Install the fuel tank vent tube set plate with the 8 bolts.
Torque: 6.0 N·m (61.2 kgf·cm, 53 in.·lbf)

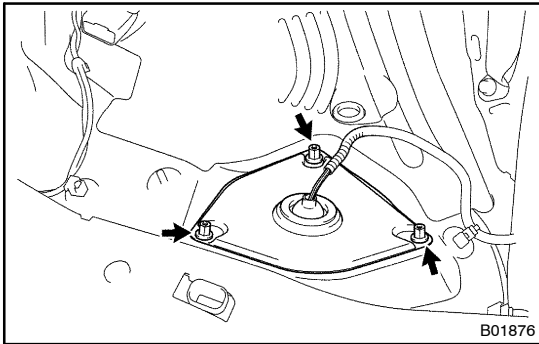


6. CONNECT FUEL TANK MAIN TUBE (FUEL TUBE CONNECTOR) TO FUEL SUCTION PLATE

- (a) Attach the fuel tube connector to the port of the fuel suction plate.
- (b) Install the tube joint clip.

7. CONNECT FUEL PUMP AND SENDER GAUGE CONNECTOR

8. CHECK FOR FUEL LEAKS (See page FI-1)

**9. INSTALL FLOOR SERVICE HOLE COVER**

Install the service hole cover with the 3 cap nuts.

10. INSTALL REAR SEAT CUSHION