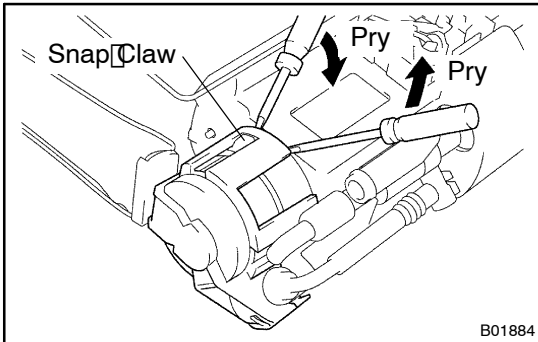


REMOVAL

1. REMOVE FUEL PUMP AND SENDER GAUGE ASSEMBLY FROM FUEL TANK (See page FI-11)



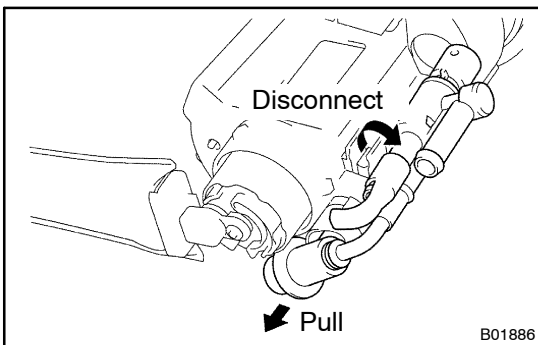
2. REMOVE NO.2 FUEL SUCTION SUPPORT

- (a) Using 2 screwdrivers, disconnect the 4 snap claws from the claw holes and remove the fuel suction support.

NOTICE:

Be careful not to damage the suction supports.

- (b) Remove the rubber cushion.



3. REMOVE FUEL PRESSURE REGULATOR AND FUEL RETURN JET TUBE ASSEMBLY

- (a) Disconnect the fuel return jet tube from the clamp of the No.2 fuel suction support.
- (b) Pull out the fuel pressure regulator from the fuel filter, and remove the fuel pressure regulator and fuel return jet tube assembly.
- (c) Remove the O-ring from the fuel pressure regulator.