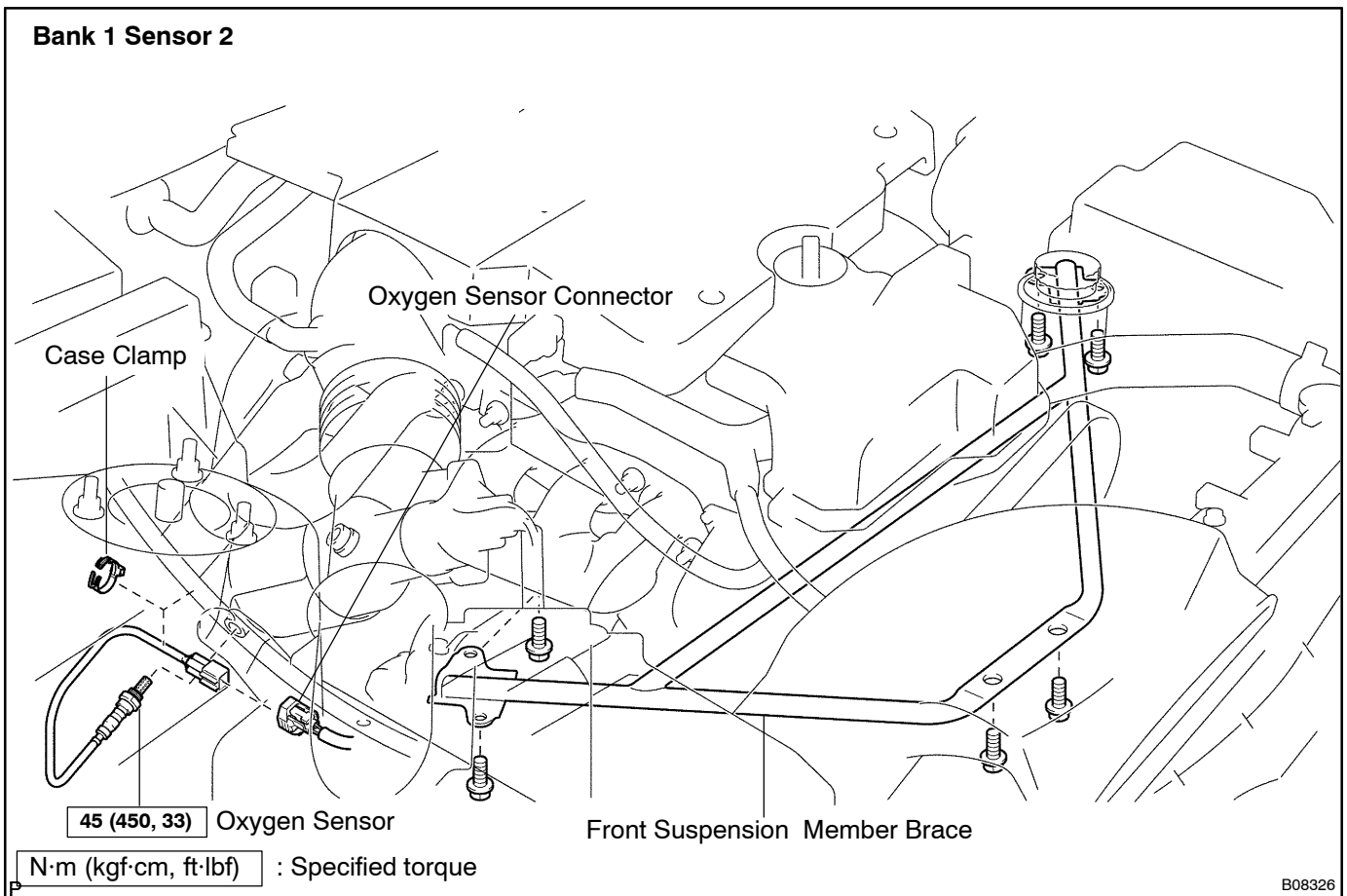
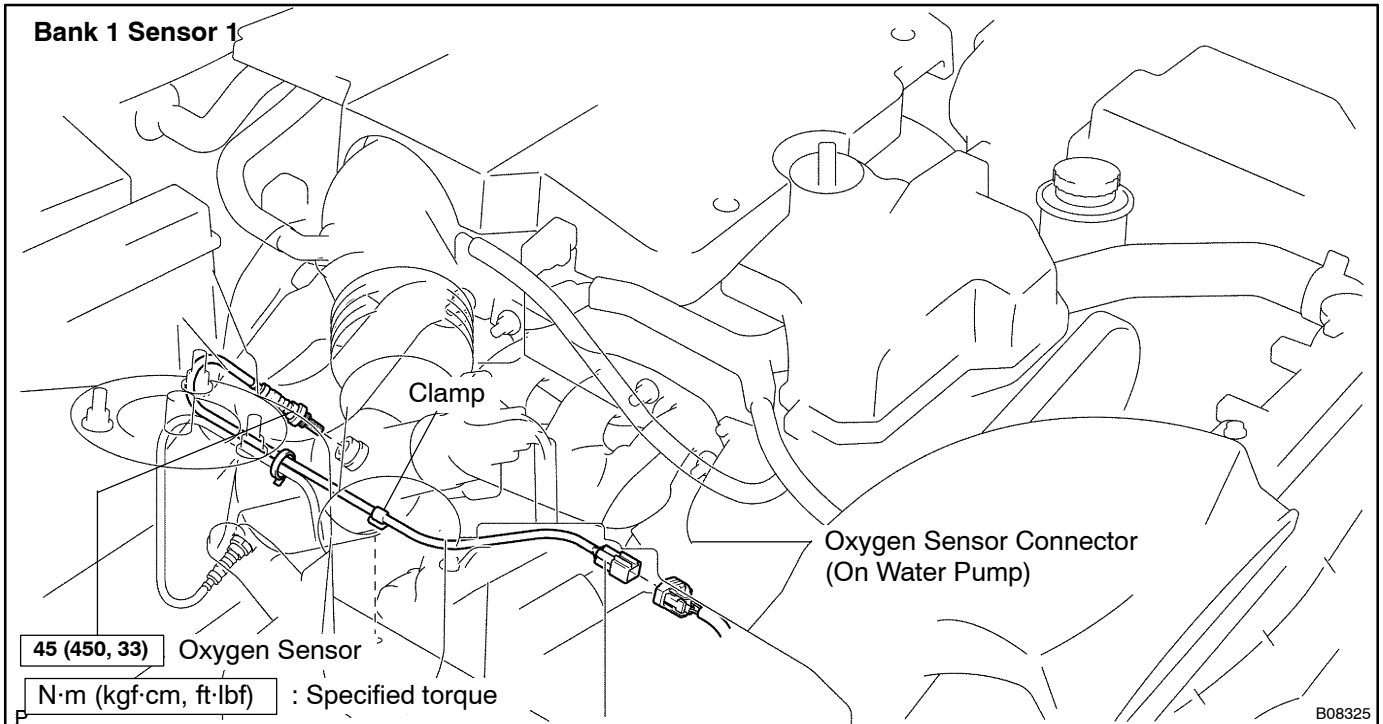
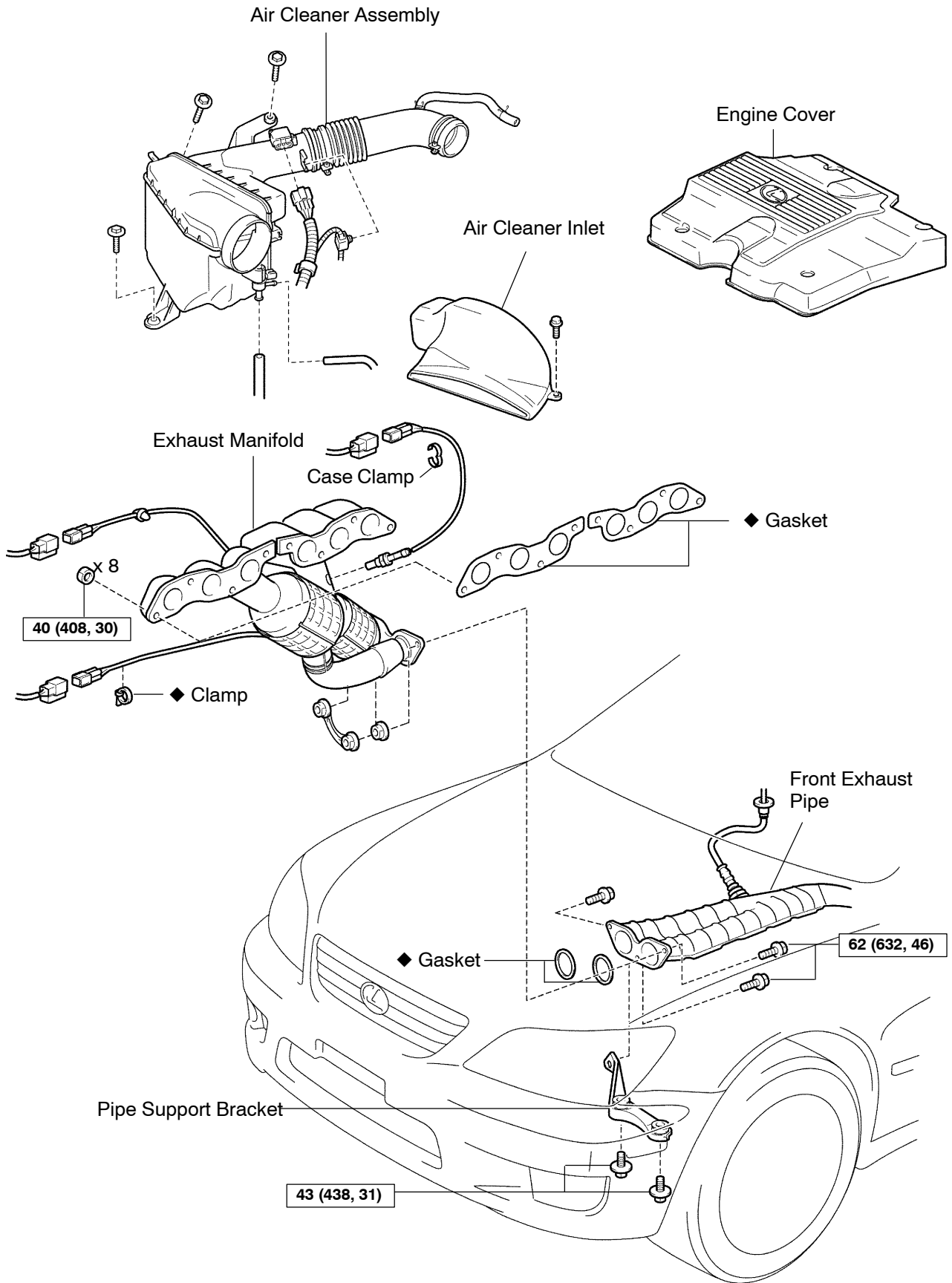


OXYGEN SENSOR COMPONENTS

SFO0B-06



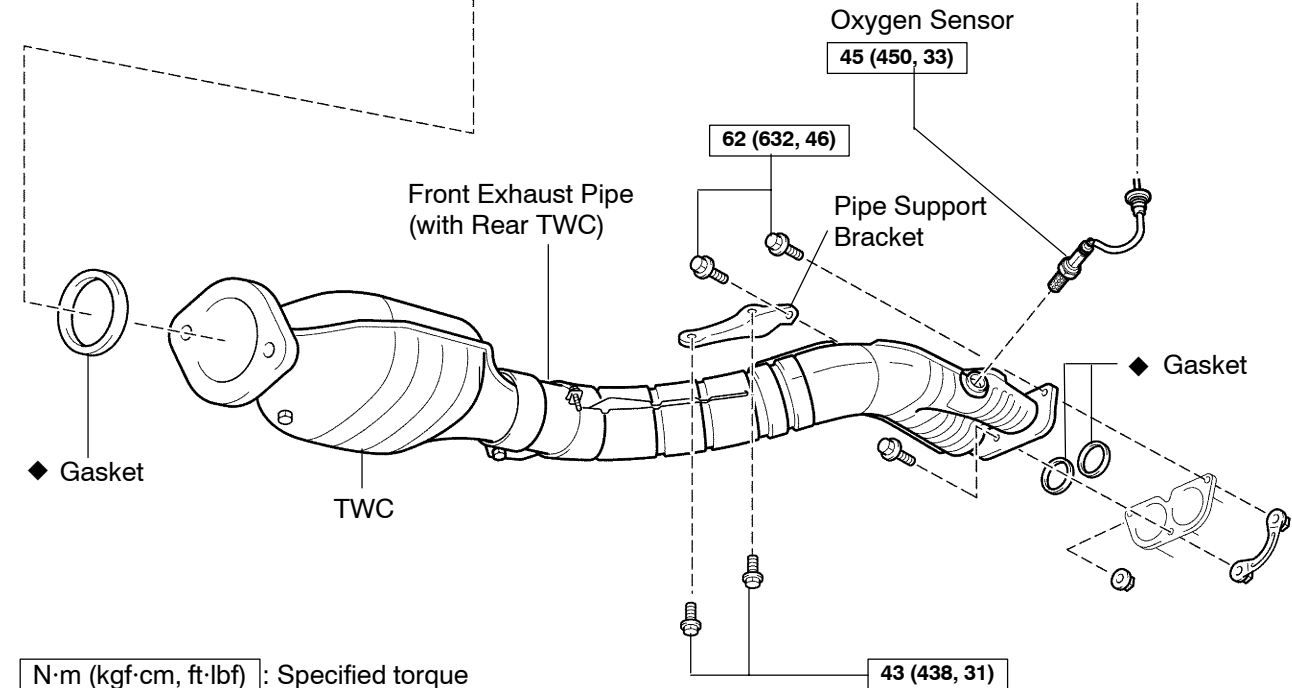
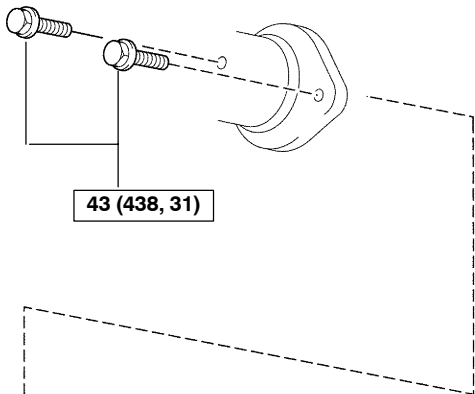
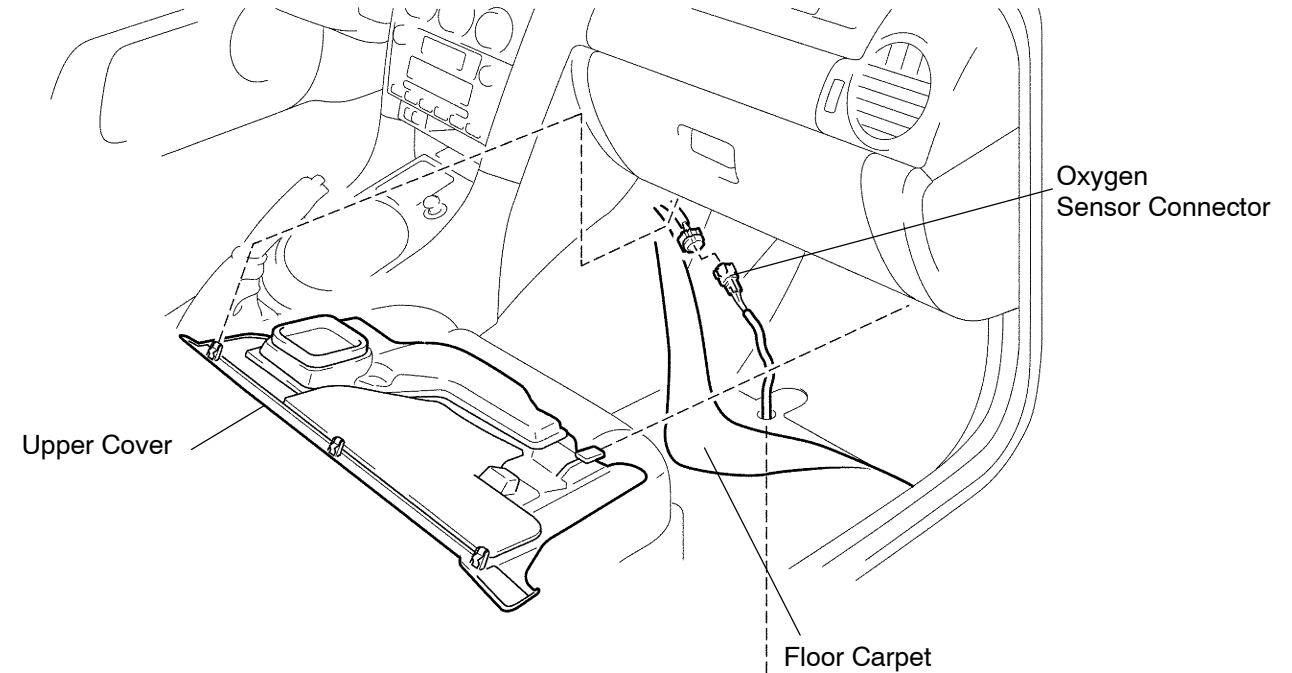
Bank 2 Sensor 1



P

N·m (kgf·cm, ft·lbf) : Specified torque
 ◆ Non-reusable part

Bank 2 Sensor 2



N·m (kgf·cm, ft·lbf) : Specified torque
◆ Non-reusable part